

DATE:	LOCATION:
TYPE:	PROJECT:
CATALOG #:	

tradeSELECT®



FEATURES

- Lumen packages ranging from 10,000 to 57,000 lumens
- Wide lens distribution options
- -40°C to 50°C ambient operating temperatures
- 4000/5000K options with 80 CRI
- IP4X Rated



SPECIFICATIONS

CONSTRUCTION

- Durable extruded aluminum housing for shipment and job site handling

OPTICS

- Wide distribution standard
- Polycarbonate lens with diffusion for distribution and glare reduction

INSTALLATION

- Cable mount option
- Pendant mount available through ¾" KO on back of housing
- Surface mount brackets available

ELECTRICAL

- Efficient LED light engine (up to 158 LPW)
- Long life LEDs >54,000 at L70
- 0–10V dimming standard with dimming range of 100% to 10%
- Available in 120–277V
- 6kV standard surge protection

CERTIFICATIONS

- All luminaires are built to UL 1598 standards, and bear appropriate cULus labels for damp location

CERTIFICATIONS (CONTINUED)

- DLC® (DesignLights Consortium) Qualified, with some Premium Qualified configurations. Please refer to the DLC website for specific product qualifications at www.designlights.org
- IP4X rated
- IK10 impact rated

WARRANTY

- 5 year warranty

KEY DATA	
Lumen Range	10,000–57,000
Wattage Range	75–388
Efficacy Range (LPW)	137–158
Reported Life (Hours)	L70/54,000

ORDERING GUIDE

Example: CLB4-40MH-N-EDU

CATALOG #

CLB				W	ED	
Model	Size	Color Temp	Lumen Output	Distribution	Driver	Voltage
CLB Linear High Bay	2 2'	40 4000K	LX 2' (10,000)	W Wide	ED 0-10V Dimming	U Universal (120-277V)
	4 4'	50 5000K	MM 2' (14,000)			
			MH 2' (24,000) ¹			
			MV 2' (30,000)			
			MX 4' (36,000)			
			HM 4' (42,000)			
			HH 4' (57,000)			

Accessories (Order Separately)	
LHVQM5	Aircraft Cable, 5' Pair
LHVQM10	Aircraft Cable, 10' Pair
CLB-SMB	Surface Mount Bracket Kit

- Notes:
- 1 Not available in 5000K, please choose PELA fixture instead
 - 2 Not available in 4000K, please choose PELA fixture instead

STOCK GUIDE

Catalog Number	Nominal Lumens	Color	Delivered Lumens	Wattage	LPW	Pallet QTY
CLB2-40LX-W-EDU	2' LX (10,000)	4000K	10,527	75.9	139	78
CLB2-50LX-W-EDU		5000K	10,477	73.7	142	78
CLB2-40MM-W-EDU	2' MM (14,000)	4000K	15,091	100.2	151	78
CLB2-50MM-W-EDU		5000K	13,717	98.9	139	78
CLB2-40MH-W-EDU	2' MH (24,000)	4000K	20,831	153.9	135	78
CLB2-50MH-W-EDU		5000K	22,297	148.7	150	78
CLB2-40MV-W-EDU	2' MV (30,000)	4000K	26,364	191.2	138	52
CLB2-50MV-W-EDU		5000K	29,674	201.0	148	52
CLB4-40MX-W-EDU	4' MX (36,000)	4000K	35,051	240.9	145	39
CLB4-50MX-W-EDU		5000K	37,145	242.0	154	39
CLB4-40HM-W-EDU	4' HM (42,000)	4000K	42,810	299.0	143	39
CLB4-50HM-W-EDU		5000K	44,006	301.6	146	39
CLB4-40HH-W-EDU	4' HH (57,000)	4000K	57,047	388.2	147	52
CLB4-50HH-W-EDU		5000K	55,637	393.7	141	52

DATE: _____ LOCATION: _____

TYPE: _____ PROJECT: _____

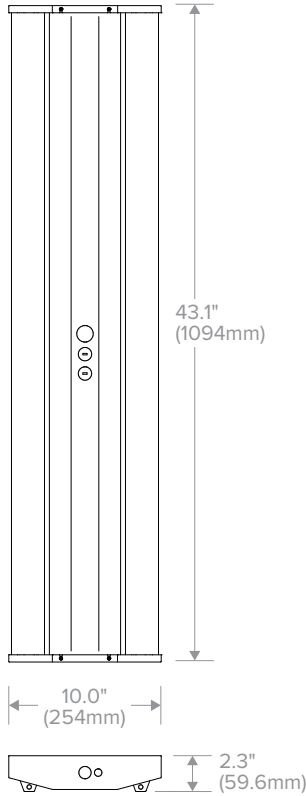
CATALOG #: _____

DELIVERED LUMENS

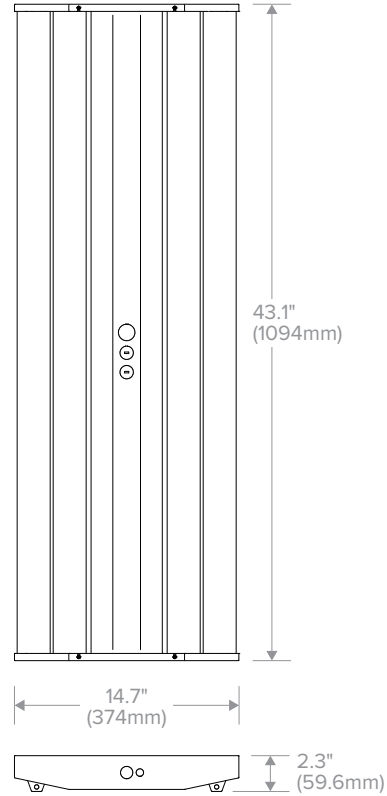
Catalog Number	Nominal Lumens	Color	Delivered Lumens	Wattage	LPW
CLB2-40LX-W-EDU	2' LX (10,000)	4000K	10,527	75.9	139
CLB2-50LX-W-EDU	2' LX (10,000)	5000K	10,477	73.7	142
CLB2-40MM-W-EDU	2' MM (14,000)	4000K	15,091	100.2	151
CLB2-50MM-W-EDU	2' MM (14,000)	5000K	13,717	98.9	139
CLB2-40MH-W-EDU	2' MH (24,000)	4000K	20,831	153.9	135
CLB2-40MV-W-EDU	2' MV (30,000)	4000K	26,364	191.2	138
CLB2-50MV-W-EDU	2' MV (30,000)	5000K	29,674	201.0	148
CLB4-40MX-W-EDU	4' MX (36,000)	4000K	35,051	240.9	145
CLB4-50MX-W-EDU	4' MX (36,000)	5000K	37,145	242.0	154
CLB4-40HM-W-EDU	4' HM (42,000)	4000K	42,810	299.0	143
CLB4-50HM-W-EDU	4' HM (42,000)	5000K	44,006	301.6	146
CLB4-50HH-W-EDU	4' HH (57,000)	5000K	55,637	393.7	141

DIMENSIONS

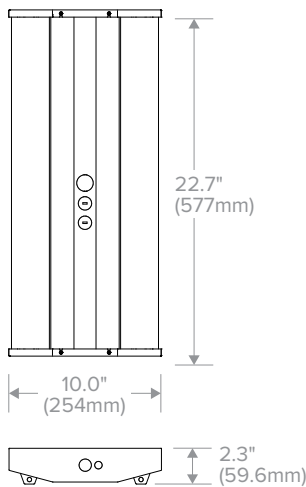
MX & HM MODELS



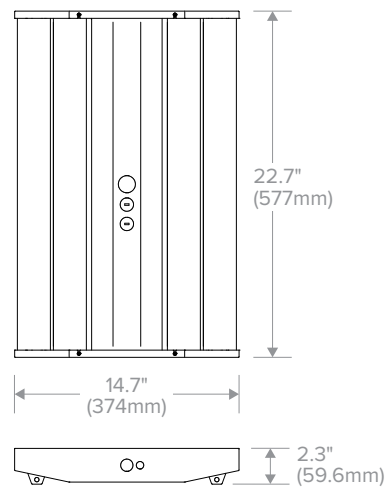
HH MODEL



LX, MM & MH MODELS

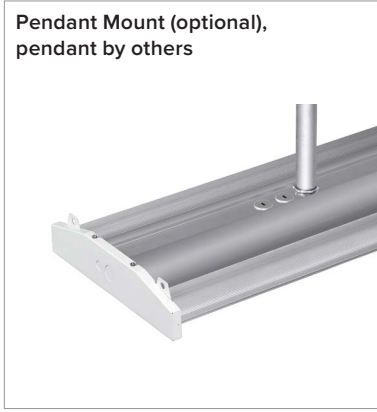


MV MODEL



ADDITIONAL INFORMATION

MOUNTING OPTIONS



PHOTOMETRY

CLB2-40MH-W-EDU

LUMINAIRE DATA

Test No.	CLB2-40MH-W-EDU
Description	Columbia Linear Highbay
Delivered Lumens	20844
Watts	153.875
Efficacy	135
Spacing Criterion	0° = 1.23 90° = 1.29

ZONAL LUMEN SUMMARY

Zone	Lumens	% Luminaire
0-30	5950	28.5
0-40	9666	46.4
0-60	16795	80.6
0-90	20841	100.0
0-180	20844	100.0

INDOOR CANDELA PLOT

