

FEATURES & SPECIFICATIONS

INTENDED USE — Ideal one-for-one replacement of conventional lighting systems such as HID and fluorescent. For use in light Industrial applications such as, warehousing and other large indoor spaces with mounting heights ranging from 10' + permitted. **Certain airborne contaminants can diminish integrity of acrylic and LED's.** [Click here for Acrylic Environmental Compatibility table for suitable uses.](#)

Certain airborne contaminants may adversely affect the functioning of LEDs and other electronic components, depending on various factors such as concentrations of the contaminants, ventilation, and temperature at the end-user location. [Click here for a list of substances that may not be suitable for interaction with LEDs and other electronic components.](#)

CONSTRUCTION — Cast driver housing gives superior thermal performance. Tri-radial polycarbonate lens with IK10 impact resistance diffuses light source and reduces glare while protecting LEDs and providing medium distribution. Available in two sizes with optional switchable lumens (12000/15000/18000 or 21000/24000/27000) and color temperatures (4000K/5000K). Static lumen and color temperature versions also available. All models utilize one driver and three LED boards. Factory and field installable sensor available.

FINISH — Black and white finishes available on switchable units and static units available in white only.

ELECTRICAL — L85 lumen maintenance at 60,000 hours. Thermally protected driver standard with 0-10V dimming allowing for 10% to 100% dimming capability. Fixture comes standard with 6' power cord and 6' low voltage dimming cord. Luminaire surge protection level: designed to withstand up to 6kV/3kA per ANSI C82.77-5-2015 Multi-volt driver, 120-277V standard for static versions. UVOLT driver, 120-347V standard with switchable versions.

INSTALLATION — Compact Pro™ package includes patent pending permanently attached hook with safety latch safety hook and 7' galvanized safety cable. Optional 3/4" reducer available pendant, cast hook or loop mounting, or surface mount bracket available.

LISTINGS — CSA listed. Damp location listed. IP54 rated. Designed for use in ambient temperatures ranging from -40°C to 55°C when suspended 18" from ceiling; with the exception of AL014 which has a -37° C starting temperature.

DesignLights Consortium® (DLC) Premium qualified product and DLC qualified product. Not all versions of this product may be DLC Premium qualified or DLC qualified. Please check the DLC Qualified Products List at www.designlights.org/QPL to confirm which versions are qualified.

WARRANTY — 5-year limited warranty. This is the only warranty provided and no other statements in this specification sheet create any warranty of any kind. All other express and implied warranties are disclaimed. Complete warranty terms located at: www.acuitybrands.com/support/warranty/terms-and-conditions

Note: Actual performance may differ as a result of end-user environment and application. All values are design or typical values, measured under laboratory conditions at 25 °C. Specifications subject to change without notice.

Catalog Number
Notes
Type

LED Round High Bay

COMPACT PRO™



Configurable Part Number	Stock Part Number	Stock Part Number CI Code
CPRB 18000LM MVOLT 40K 80CRI DWH	CPRB 18LM MVOLT 40K 80CRI DWH	*2778A3
CPRB ALO13 UVOLT SWW9 80CRI DWH	CPRB ALO13 UVOLT SWW9 80CRI DWH	*27788P
CPRB ALO13 UVOLT SWW9 80CRI DBL	CPRB ALO13 UVOLT SWW9 80CRI DBL	*27788R
CPRB ALO14 UVOLT SWW9 80CRI DWH	CPRB ALO14 UVOLT SWW9 80CRI DWH	*27788T
CPRB ALO14 UVOLT SWW9 80CRI DBL	CPRB ALO14 UVOLT SWW9 80CRI DBL	*27788U

CPRB LED Round High Bay



ORDERING INFORMATION Lead times will vary depending on options selected. Consult with your sales representative. **Example:** CPRB 18000LM MVOLT 40K 80CRI PM DWH

Series	Lumens	Voltage	Color Temperature	Color Rendering Index	Mounting
CPRB Compact Pro LED Round High Bay	18000LM 18,000 lumens ‡	MVOLT 120-277V ‡	40K 4000 K	80CRI 80 CRI	(Blank) Standard hook
	24000LM 24,000 lumens ‡	UVOLT 120-347V ‡	SWW9 Switchable white, 40K/50K		PM Pendant mount, 3/4 adapter installed ‡
	ALO13 Switchable lumens, 12000LM/ 15000LM/ 18000LM	120 120V			
	ALO14 Switchable lumens, 21000LM/ 24000LM/ 27000LM	208 208V			
		240 240V			
		277 277V			
		347 347V			

Options	Finish
<p>LPM Loop, male, damp location ‡</p> <p>SCF120 Safety cable 120"</p> <p>SCF240 Safety cable 240"</p> <p>Cord Sets‡</p> <p>CPSBW 6' white damp location cord with straight blade plug (voltage will match fixture)</p> <p>CPSB 6' black damp location cord with straight blade plug (voltage will match fixture)</p> <p>CPTLW 6' white damp location cord with twist-lock plug (voltage will match fixture) ‡</p> <p>CPTL 6' black damp location cord with twist-lock plug (voltage will match fixture) ‡</p> <p>L/DIM Less dimming cord</p>	<p>DWH Gloss White</p> <p>DBL Matte Black ‡</p>
<p>Individual controls: ‡</p> <p>MSOD30 0V SensorSwitch Outdoor Embedded Universal 360° Motion Sensor with Dim to off Functionality</p> <p>MSOD30 5V SensorSwitch Outdoor Embedded Universal 360° Motion Sensor with Dim to 50% Functionality</p> <p>MSOD30 ADC 0V SensorSwitch Outdoor Embedded Universal 360° Motion and Photocell Sensor with Dim to off Functionality</p> <p>MSOD30 ADC 5V SensorSwitch Outdoor Embedded Universal 360° Motion and Photocell Sensor with Dim to 50% Functionality</p> <p>MSODPDT30 0V SensorSwitch Outdoor Embedded Universal 360° Passive Dual Technology Motion Sensor with Dim to off Functionality</p> <p>MSODPDT30 5V SensorSwitch Outdoor Embedded Universal 360° Passive Dual Technology Motion Sensor with Dim to 50% Functionality</p> <p>MSODPDT30 ADC 0V SensorSwitch Outdoor Embedded Universal 360° Passive Dual Technology Motion and Photocell Sensor with Dim to off Functionality</p> <p>MSODPDT30 ADC 5V SensorSwitch Outdoor Embedded Universal 360° Passive Dual Technology Motion and Photocell Sensor with Dim to 50% Functionality</p> <p>*For 360° integral Low Mount sensors, replace "30" in nomenclature with "7".</p>	<p>nLight AIR Wireless Controls: ‡</p> <p>NLTAIR2 RMSOD7 nLight AIR (wireless) gen 2 control device with low mount occupancy and daylight sensor</p> <p>NLTAIR2 RMSOD30 nLight AIR (wireless) gen 2 control device with universal mount occupancy and daylight sensor</p> <p>NLTAIR2 RMSOD45 nLight AIR (wireless) gen 2 control device with high mount occupancy and daylight sensor</p> <p>NLTAIR2 RMSOD45A nLight AIR (wireless) gen 2 control device with high mount aisleway occupancy and daylight sensor</p>

Accessories: Order as separate catalog number.

RBAY BLDE40WCP M4	Field installable 40 watt emergency battery pack ‡
Mounting:	
CPRBSMB	Surface mount bracket (galvanized)
JEBLMTG ADAPTER M12	3/4" reducer
LPM	Loop, male, damp location ‡
JCBLSC120	10' safety cable
JCBLSC240	20' safety cable

‡ Option Value Ordering Restrictions	
Option Value	Ordering Restrictions
18000LM	Available in DWH finish only. Available 40K only. Available with MVOLT, 120, 208, 240, or 277.
24000LM	Available in DWH finish only. Available 40K only. Available with MVOLT, 120, 208, 240, or 277.
Cord sets	See NEMA configuration chart on page 3. Must specify voltage, not available MVOLT or UVOLT.
CPTL, CPTLW	When ordering with 347V, 20 amp plugs are required. Ex: CPTL20AW
DBL	Available with ALO13 and ALO14 only.
Individual controls	Not for use with the RBAY BLDE40WCP accessory.
LPM	When LPM is ordered as an option, PM option is required on fixture. When ordered as an accessory, JEBLMTG ADAPTER M12 is required. When ordered as an accessory available in units (LPM U) or job packs of 4 and 12. Add J4 to the nomenclature if 4 pack is required and J12 if 12 pack is required.
MVOLT	Available with 18000LM or 24000LM only.
nLight AIR Wireless Controls	Not for use with the RBAY BLDE40WCP accessory.
PM	PM required with LPM option.
RBAY BLDE40WCP M4	Not for use with any control option.
UVOLT	Available with ALO13 or ALO14 only.

ACCESSORIES



LPM



3/4" mounting adapter



CPRBSMB



CPRB with RBAY BLDE40WCP M4 accessory (field installable only)

CPRB LED Round High Bay

PHOTOMETRICS

See www.acuitybrands.com.

PERFORMANCE TABLE

Glare Control Lens, Medium Distribution					
	Lumen Package	Voltage	Wattage	Lumen Output	LPW
CPRB	18000LM	120-277	132	18252	138
	24000LM	120-277	175	23583	135
	ALO13 (12000LM, 15000LM, 18000LM)	120-347	83/106/132	12490/15429/18445	151/146/140
	ALO14 (21000LM, 24000LM, 27000LM)	120-347	148/175/195	20691/23615/26342	140/135/135

NEMA CONFIGURATION PLUGS

Voltage	Configuration	
	Twist lock	Straight blade
120	L5-15P	5-15P
208	L6-15P	6-15P
240	L6-15P	6-15P
277	L7-15P	7-15P
347	L24-20P	N/A

Field installable sensors*	Utilizes sensor
In stock sensor kits	
CPRBSNSR MSOD7 0V DWH KIT	MSOD 7 WH 0V
CPRBSNSR MSOD7 5V DWH KIT	MSOD 7 WH 5V
CPRBSNSR MSOD7 0V DBL KIT	MSOD 7 BK 0V
CPRBSNSR MSOD7 5V DBL KIT	MSOD 7 BK 0V
CPRBSNSR MSOD30 0V DWH KIT	MSOD 30 WH 0V
CPRBSNSR MSOD30 5V DWH KIT	MSOD 30 WH 5V
CPRBSNSR MSOD30 0V DBL KIT	MSOD 30 BK 0V
CPRBSNSR MSOD30 5V DBL KIT	MSOD 30 BK 0V
Made to order sensor kits	
CPRBSNSR MSOD7 ADC 0V DWH KIT	MSOD 7 ADC WH 0V
CPRBSNSR MSOD7 ADC 5V DWH KIT	MSOD 7 ADC WH 5V
CPRBSNSR MSOD7 ADC 0V DBL KIT	MSOD 7 ADC BK 0V
CPRBSNSR MSOD7 ADC 5V DBL KIT	MSOD 7 ADC BK 5V
CPRBSNSR MSODPDT7 0V DWH KIT	MSOD PDT 7 WH 0V
CPRBSNSR MSODPDT7 5V DWH KIT	MSOD PDT 7 WH 5V
CPRBSNSR MSODPDT7 0V DBL KIT	MSOD PDT 7 BK 0V
CPRBSNSR MSODPDT7 5V DBL KIT	MSOD PDT 7 BK 5V
CPRBSNSR MSODPDT7 ADC 0V DWH KIT	MSOD PDT 7 ADC WH 0V
CPRBSNSR MSODPDT7 ADC 5V DWH KIT	MSOD PDT 7 ADC WH 5V
CPRBSNSR MSODPDT7 ADC 0V DBL KIT	MSOD PDT 7 ADC BK 0V
CPRBSNSR MSODPDT7 ADC 5V DBL KIT	MSOD PDT 7 ADC BK 5V
CPRBSNSR MSOD30 ADC 0V DWH KIT	MSOD 30 ADC WH 0V
CPRBSNSR MSOD30 ADC 5V DWH KIT	MSOD 30 ADC WH 5V
CPRBSNSR MSOD30 ADC 0V DBL KIT	MSOD 30 BK 0V
CPRBSNSR MSOD30 ADC 5V DBL KIT	MSOD 30 ADC BK 5V
CPRBSNSR MSODPDT30 0V DWH KIT	MSOD PDT 30 WH 0V
CPRBSNSR MSODPDT30 5V DWH KIT	MSOD PDT 30 WH 5V
CPRBSNSR MSODPDT30 0V DBL KIT	MSOD PDT 30 BK 0V
CPRBSNSR MSODPDT30 5V DBL KIT	MSOD PDT 30 BK 5V
CPRBSNSR MSODPDT30 ADC 0V DWH KIT	MSOD PDT 30 ADC WH 0V
CPRBSNSR MSODPDT30 ADC 5V DWH KIT	MSOD PDT 30 ADC WH 5V
CPRBSNSR MSODPDT30 ADC 0V DBL KIT	MSOD PDT 30 ADC BK 0V
CPRBSNSR MSODPDT30 ADC 5V DBL KIT	MSOD PDT 30 ADC BK 5V
CPRBSNSR NLTAIR2 RMSOD7 DWH KIT	RMSOD 7 ZT EXTDB 90D 50FC G2 J100
CPRBSNSR NLTAIR2 RMSOD7 DBL KIT	RMSOD 7 BW ZT EXTDB 90D 50FC G2 J100
CPRBSNSR NLTAIR2 RMSOD45 DWH KIT	RMSOD 45 ZT EXTDB 90D 50FC G2 J100
CPRBSNSR NLTAIR2 RMSOD45 DBL KIT	RMSOD 45 BW ZT EXTDB 90D 50FC G2 J100
CPRBSNSR NLTAIR2 RMSOD45A DWH KIT	RMSOD 45A ZT EXTDB 90D 50FC G2 J100
CPRBSNSR NLTAIR2 RMSOD45A DBL KIT	RMSOD 45A BW ZT EXTDB 90D 50FC G2 J100
CPRBSNSR NLTAIR2 RMSOD30 DWH KIT	RMSOD 30 ZT EXTDB 90D 50FC G2 J100
CPRBSNSR NLTAIR2 RMSOD30 DBL KIT	RMSOD 30 BW ZT EXTDB 90D 50FC G2 J100

* All sensor kits include sensor mounting plate in white (DWH) or black(DBL) to match your fixture. Lead time will vary based on options selected.



Shown with MSOD sensor option

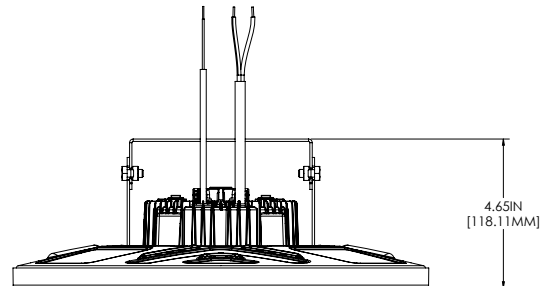
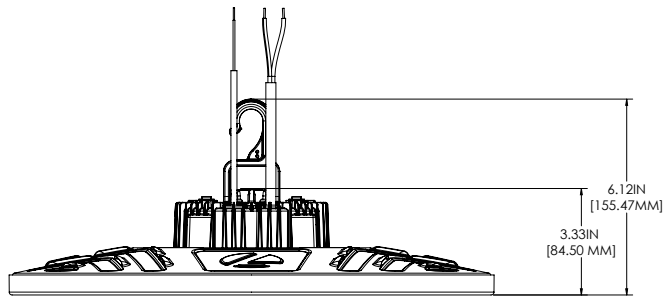
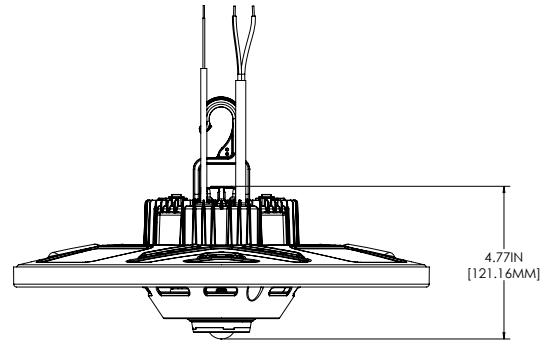
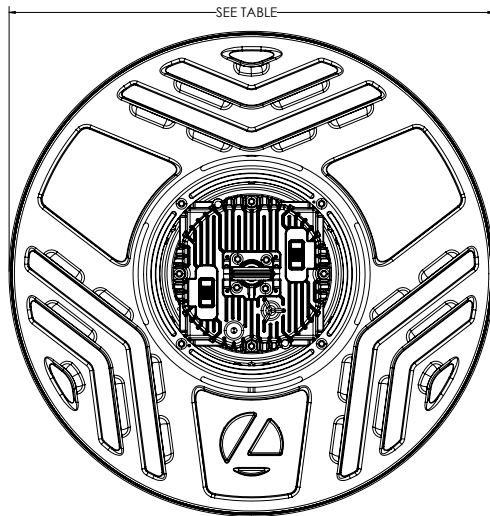


Shown with nLight RMSOD sensor option

CPRB LED Round High Bay

PROJECTED LUMEN MAINTENANCE

Operating hours	0 hours	10,000 hours	20,000 hours	30,000 hours	40,000 hours	50,000 hours	60,000 hours	70,000 hours	80,000 hours	90,000 hours	100,000 hours
Lumen maintenance factor	100	.96	.94	.91	.89	.87	.85	.83	.81	.79	.77



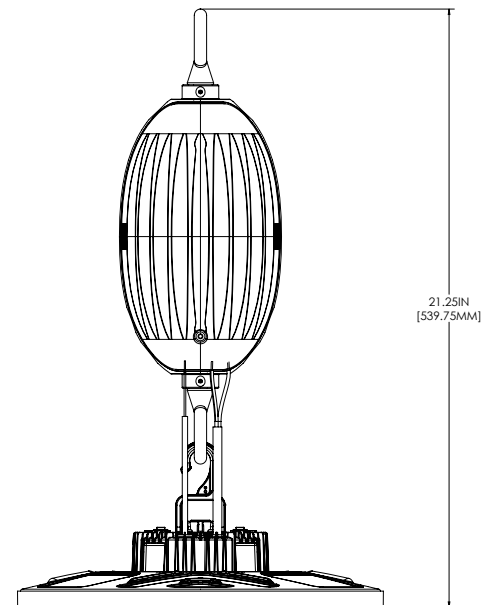
CPRB with SMB

DIMENSIONS

Lumens package	Length	Width	Depth	Weight
	Dimensions shown in inches (centimeters)			Shown in pounds (kg)
18000LM	12.98	12.98	3.16	5
24000LM	15.14	15.14	3.35	6.1
AL013	12.98	12.98	3.16	5
AL014	15.14	15.14	3.35	6.1

BATTERY OPERATIONAL DATA

Model	Input Voltage	Input Current	Input Power	Emergency Time	Output Voltage	Output power	Battery Type	Ambient Temp
RBAY BLDE40WCP M4	100-347Vac 50/60Hz	≤200mA	15W	90minutes	170Vdc	40W	Li-ion	5°C-50°C



CPRB with RBAY BLDE40WCP M4 accessory

FEATURES & SPECIFICATIONS

INTENDED USE — Ideal one-for-one replacement of conventional lighting systems such as HID and fluorescent. For use in light Industrial applications such as, warehousing and other large indoor spaces with mounting heights ranging from 10' + permitted. **Certain airborne contaminants can diminish integrity of acrylic and LED's.** [Click here for Acrylic Environmental Compatibility table for suitable uses.](#)

Certain airborne contaminants may adversely affect the functioning of LEDs and other electronic components, depending on various factors such as concentrations of the contaminants, ventilation, and temperature at the end-user location. [Click here for a list of substances that may not be suitable for interaction with LEDs and other electronic components.](#)

CONSTRUCTION — Cast driver housing gives superior thermal performance. Tri-radial polycarbonate lens with IK10 impact resistance diffuses light source and reduces glare while protecting LEDs and providing medium distribution. Available in two sizes with optional switchable lumens (12000/15000/18000 or 21000/24000/27000) and color temperatures (4000K/5000K). Static lumen and color temperature versions also available. All models utilize one driver and three LED boards. Factory and field installable sensor available.

FINISH — Black and white finishes available on switchable units and static units available in white only.

ELECTRICAL — L85 lumen maintenance at 60,000 hours. Thermally protected driver standard with 0-10V dimming allowing for 10% to 100% dimming capability. Fixture comes standard with 6' power cord and 6' low voltage dimming cord. Luminaire surge protection level: designed to withstand up to 6kV/3kA per ANSI C82.77-5-2015 Multi-volt driver, 120-277V standard for static versions. UVOLT driver, 120-347V standard with switchable versions.

INSTALLATION — Compact Pro™ package includes patent pending permanently attached hook with safety latch safety hook and 7' galvanized safety cable. Optional 3/4" reducer available pendant, cast hook or loop mounting, or surface mount bracket available.

LISTINGS — CSA listed. Damp location listed. IP54 rated. Designed for use in ambient temperatures ranging from -40°C to 55°C when suspended 18" from ceiling; with the exception of ALO14 which has a -37° C starting temperature.

DesignLights Consortium® (DLC) Premium qualified product and DLC qualified product. Not all versions of this product may be DLC Premium qualified or DLC qualified. Please check the DLC Qualified Products List at www.designlights.org/QPL to confirm which versions are qualified.

WARRANTY — 5-year limited warranty. This is the only warranty provided and no other statements in this specification sheet create any warranty of any kind. All other express and implied warranties are disclaimed. Complete warranty terms located at: www.acuitybrands.com/support/warranty/terms-and-conditions

Note: Actual performance may differ as a result of end-user environment and application. All values are design or typical values, measured under laboratory conditions at 25 °C. Specifications subject to change without notice.

Catalog Number
Notes
Type

LED Round High Bay

COMPACT PRO™



Configurable Part Number	Stock Part Number	Stock Part Number CI Code
CPRB 18000LM MVOLT 40K 80CRI DWH	CPRB 18LM MVOLT 40K 80CRI DWH	*2778A3
CPRB ALO13 UVOLT SWW9 80CRI DWH	CPRB ALO13 UVOLT SWW9 80CRI DWH	*27788P
CPRB ALO13 UVOLT SWW9 80CRI DBL	CPRB ALO13 UVOLT SWW9 80CRI DBL	*27788R
CPRB ALO14 UVOLT SWW9 80CRI DWH	CPRB ALO14 UVOLT SWW9 80CRI DWH	*27788T
CPRB ALO14 UVOLT SWW9 80CRI DBL	CPRB ALO14 UVOLT SWW9 80CRI DBL	*27788U

CPRB LED Round High Bay



ORDERING INFORMATION Lead times will vary depending on options selected. Consult with your sales representative. **Example:** CPRB 18000LM MVOLT 40K 80CRI PM DWH

Series	Lumens	Voltage	Color Temperature	Color Rendering Index	Mounting
CPRB Compact Pro LED Round High Bay	18000LM 18,000 lumens ‡	MVOLT 120-277V ‡	40K 4000 K	80CRI 80 CRI	(Blank) Standard hook
	24000LM 24,000 lumens ‡	UVOLT 120-347V ‡	SWW9 Switchable white, 40K/50K		PM Pendant mount, 3/4 adapter installed ‡
	ALO13 Switchable lumens, 12000LM/ 15000LM/ 18000LM	120 120V			
	ALO14 Switchable lumens, 21000LM/ 24000LM/ 27000LM	208 208V			
		240 240V			
		277 277V			
		347 347V			

Options	Finish
<p>LPM Loop, male, damp location ‡</p> <p>SCF120 Safety cable 120"</p> <p>SCF240 Safety cable 240"</p> <p>Cord Sets‡</p> <p>CPSBW 6' white damp location cord with straight blade plug (voltage will match fixture)</p> <p>CPSB 6' black damp location cord with straight blade plug (voltage will match fixture)</p> <p>CPTLW 6' white damp location cord with twist-lock plug (voltage will match fixture) ‡</p> <p>CPTL 6' black damp location cord with twist-lock plug (voltage will match fixture) ‡</p> <p>L/DIM Less dimming cord</p>	<p>DWH Gloss White</p> <p>DBL Matte Black ‡</p>
<p>Individual controls: ‡</p> <p>MSOD30 0V SensorSwitch Outdoor Embedded Universal 360° Motion Sensor with Dim to off Functionality</p> <p>MSOD30 5V SensorSwitch Outdoor Embedded Universal 360° Motion Sensor with Dim to 50% Functionality</p> <p>MSOD30 ADC 0V SensorSwitch Outdoor Embedded Universal 360° Motion and Photocell Sensor with Dim to off Functionality</p> <p>MSOD30 ADC 5V SensorSwitch Outdoor Embedded Universal 360° Motion and Photocell Sensor with Dim to 50% Functionality</p> <p>MSODPDT30 0V SensorSwitch Outdoor Embedded Universal 360° Passive Dual Technology Motion Sensor with Dim to off Functionality</p> <p>MSODPDT30 5V SensorSwitch Outdoor Embedded Universal 360° Passive Dual Technology Motion Sensor with Dim to 50% Functionality</p> <p>MSODPDT30 ADC 0V SensorSwitch Outdoor Embedded Universal 360° Passive Dual Technology Motion and Photocell Sensor with Dim to off Functionality</p> <p>MSODPDT30 ADC 5V SensorSwitch Outdoor Embedded Universal 360° Passive Dual Technology Motion and Photocell Sensor with Dim to 50% Functionality</p> <p>*For 360° integral Low Mount sensors, replace "30" in nomenclature with "7".</p>	<p>nLight AIR Wireless Controls: ‡</p> <p>NLTAIR2 RMSOD7 nLight AIR (wireless) gen 2 control device with low mount occupancy and daylight sensor</p> <p>NLTAIR2 RMSOD30 nLight AIR (wireless) gen 2 control device with universal mount occupancy and daylight sensor</p> <p>NLTAIR2 RMSOD45 nLight AIR (wireless) gen 2 control device with high mount occupancy and daylight sensor</p> <p>NLTAIR2 RMSOD45A nLight AIR (wireless) gen 2 control device with high mount aisleway occupancy and daylight sensor</p>

Accessories: Order as separate catalog number.

RBAY BLDE40WCP M4	Field installable 40 watt emergency battery pack ‡
Mounting:	
CPRBSMB	Surface mount bracket (galvanized)
JEBLMTG ADAPTER M12	3/4" reducer
LPM	Loop, male, damp location ‡
JCBLSC120	10' safety cable
JCBLSC240	20' safety cable

‡ Option Value Ordering Restrictions	
Option Value	Ordering Restrictions
18000LM	Available in DWH finish only. Available 40K only. Available with MVOLT, 120, 208, 240, or 277.
24000LM	Available in DWH finish only. Available 40K only. Available with MVOLT, 120, 208, 240, or 277.
Cord sets	See NEMA configuration chart on page 3. Must specify voltage, not available MVOLT or UVOLT.
CPTL, CPTLW	When ordering with 347V, 20 amp plugs are required. Ex: CPTL20AW
DBL	Available with ALO13 and ALO14 only.
Individual controls	Not for use with the RBAY BLDE40WCP accessory.
LPM	When LPM is ordered as an option, PM option is required on fixture. When ordered as an accessory, JEBLMTG ADAPTER M12 is required. When ordered as an accessory available in units (LPM U) or job packs of 4 and 12. Add J4 to the nomenclature if 4 pack is required and J12 if 12 pack is required.
MVOLT	Available with 18000LM or 24000LM only.
nLight AIR Wireless Controls	Not for use with the RBAY BLDE40WCP accessory.
PM	PM required with LPM option.
RBAY BLDE40WCP M4	Not for use with any control option.
UVOLT	Available with ALO13 or ALO14 only.

ACCESSORIES



LPM



3/4" mounting adapter



CPRBSMB



CPRB with RBAY BLDE40WCP M4 accessory (field installable only)

CPRB LED Round High Bay

PHOTOMETRICS

See www.acuitybrands.com.

PERFORMANCE TABLE

Glare Control Lens, Medium Distribution					
	Lumen Package	Voltage	Wattage	Lumen Output	LPW
CPRB	18000LM	120-277	132	18252	138
	24000LM	120-277	175	23583	135
	ALO13 (12000LM, 15000LM, 18000LM)	120-347	83/106/132	12490/15429/18445	151/146/140
	ALO14 (21000LM, 24000LM, 27000LM)	120-347	148/175/195	20691/23615/26342	140/135/135

NEMA CONFIGURATION PLUGS

Voltage	Configuration	
	Twist lock	Straight blade
120	L5-15P	5-15P
208	L6-15P	6-15P
240	L6-15P	6-15P
277	L7-15P	7-15P
347	L24-20P	N/A

Field installable sensors*	Utilizes sensor
In stock sensor kits	
CPRBSNSR MSOD7 0V DWH KIT	MSOD 7 WH 0V
CPRBSNSR MSOD7 5V DWH KIT	MSOD 7 WH 5V
CPRBSNSR MSOD7 0V DBL KIT	MSOD 7 BK 0V
CPRBSNSR MSOD7 5V DBL KIT	MSOD 7 BK 0V
CPRBSNSR MSOD30 0V DWH KIT	MSOD 30 WH 0V
CPRBSNSR MSOD30 5V DWH KIT	MSOD 30 WH 5V
CPRBSNSR MSOD30 0V DBL KIT	MSOD 30 BK 0V
CPRBSNSR MSOD30 5V DBL KIT	MSOD 30 BK 0V
Made to order sensor kits	
CPRBSNSR MSOD7 ADC 0V DWH KIT	MSOD 7 ADC WH 0V
CPRBSNSR MSOD7 ADC 5V DWH KIT	MSOD 7 ADC WH 5V
CPRBSNSR MSOD7 ADC 0V DBL KIT	MSOD 7 ADC BK 0V
CPRBSNSR MSOD7 ADC 5V DBL KIT	MSOD 7 ADC BK 5V
CPRBSNSR MSODPDT7 0V DWH KIT	MSOD PDT 7 WH 0V
CPRBSNSR MSODPDT7 5V DWH KIT	MSOD PDT 7 WH 5V
CPRBSNSR MSODPDT7 0V DBL KIT	MSOD PDT 7 BK 0V
CPRBSNSR MSODPDT7 5V DBL KIT	MSOD PDT 7 BK 5V
CPRBSNSR MSODPDT7 ADC 0V DWH KIT	MSOD PDT 7 ADC WH 0V
CPRBSNSR MSODPDT7 ADC 5V DWH KIT	MSOD PDT 7 ADC WH 5V
CPRBSNSR MSODPDT7 ADC 0V DBL KIT	MSOD PDT 7 ADC BK 0V
CPRBSNSR MSODPDT7 ADC 5V DBL KIT	MSOD PDT 7 ADC BK 5V
CPRBSNSR MSOD30 ADC 0V DWH KIT	MSOD 30 ADC WH 0V
CPRBSNSR MSOD30 ADC 5V DWH KIT	MSOD 30 ADC WH 5V
CPRBSNSR MSOD30 ADC 0V DBL KIT	MSOD 30 BK 0V
CPRBSNSR MSOD30 ADC 5V DBL KIT	MSOD 30 ADC BK 5V
CPRBSNSR MSODPDT30 0V DWH KIT	MSOD PDT 30 WH 0V
CPRBSNSR MSODPDT30 5V DWH KIT	MSOD PDT 30 WH 5V
CPRBSNSR MSODPDT30 0V DBL KIT	MSOD PDT 30 BK 0V
CPRBSNSR MSODPDT30 5V DBL KIT	MSOD PDT 30 BK 5V
CPRBSNSR MSODPDT30 ADC 0V DWH KIT	MSOD PDT 30 ADC WH 0V
CPRBSNSR MSODPDT30 ADC 5V DWH KIT	MSOD PDT 30 ADC WH 5V
CPRBSNSR MSODPDT30 ADC 0V DBL KIT	MSOD PDT 30 ADC BK 0V
CPRBSNSR MSODPDT30 ADC 5V DBL KIT	MSOD PDT 30 ADC BK 5V
CPRBSNSR NLTAIR2 RMSOD7 DWH KIT	RMSOD 7 ZT EXTDB 90D 50FC G2 J100
CPRBSNSR NLTAIR2 RMSOD7 DBL KIT	RMSOD 7 BW ZT EXTDB 90D 50FC G2 J100
CPRBSNSR NLTAIR2 RMSOD45 DWH KIT	RMSOD 45 ZT EXTDB 90D 50FC G2 J100
CPRBSNSR NLTAIR2 RMSOD45 DBL KIT	RMSOD 45 BW ZT EXTDB 90D 50FC G2 J100
CPRBSNSR NLTAIR2 RMSOD45A DWH KIT	RMSOD 45A ZT EXTDB 90D 50FC G2 J100
CPRBSNSR NLTAIR2 RMSOD45A DBL KIT	RMSOD 45A BW ZT EXTDB 90D 50FC G2 J100
CPRBSNSR NLTAIR2 RMSOD30 DWH KIT	RMSOD 30 ZT EXTDB 90D 50FC G2 J100
CPRBSNSR NLTAIR2 RMSOD30 DBL KIT	RMSOD 30 BW ZT EXTDB 90D 50FC G2 J100

* All sensor kits include sensor mounting plate in white (DWH) or black(DBL) to match your fixture. Lead time will vary based on options selected.



Shown with MSOD sensor option

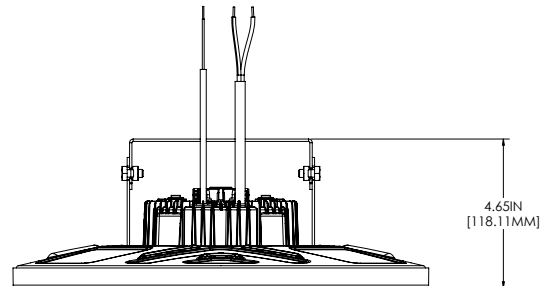
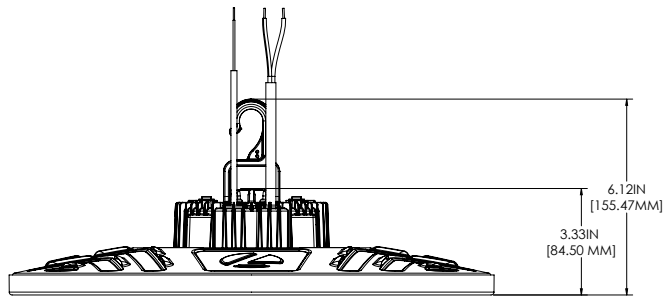
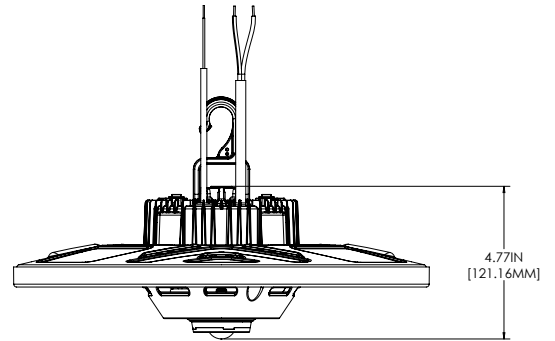
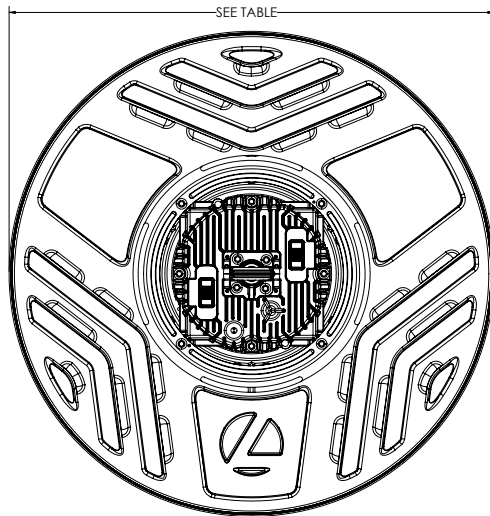


Shown with nLight RMSOD sensor option

CPRB LED Round High Bay

PROJECTED LUMEN MAINTENANCE

Operating hours	0 hours	10,000 hours	20,000 hours	30,000 hours	40,000 hours	50,000 hours	60,000 hours	70,000 hours	80,000 hours	90,000 hours	100,000 hours
Lumen maintenance factor	100	.96	.94	.91	.89	.87	.85	.83	.81	.79	.77



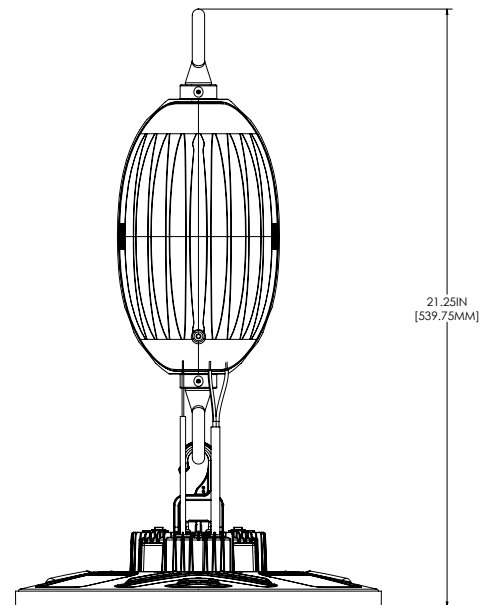
CPRB with SMB

DIMENSIONS

Lumens package	Length	Width	Depth	Weight
	Dimensions shown in inches (centimeters)			Shown in pounds (kg)
18000LM	12.98	12.98	3.16	5
24000LM	15.14	15.14	3.35	6.1
AL013	12.98	12.98	3.16	5
AL014	15.14	15.14	3.35	6.1

BATTERY OPERATIONAL DATA

Model	Input Voltage	Input Current	Input Power	Emergency Time	Output Voltage	Output power	Battery Type	Ambient Temp
RBAY BLDE40WCP M4	100-347Vac 50/60Hz	≤200mA	15W	90minutes	170Vdc	40W	Li-ion	5°C-50°C



CPRB with RBAY BLDE40WCP M4 accessory