



Catalog Number
Notes
Type

Contractor Select™ CSVT

Vapor Tight LED Strip Light

These fully-gasketed, wet-location, and code-compliant vapor tights are and IP65 and IP66 rated. They can be surface mounted on the ceiling or wall and are designed for continuous row mounting. The CSVT vapor tights are ideal for outdoor venues, canopies and locker rooms.

FEATURES:

- The fully gasketed, polycarbonate housing with polycarbonate captive latches provides a water-tight seal and stands up to dust and dirt with its IP65 and IP66 ratings
- Provides the performance you need with the UV-stabilized, high-impact, frosted polycarbonate lens for uniform light output and high impact-resistance
- Quick and simple to install with the snap-lock tool-less access
- Available with Switchable technology



Catalog Number	UPC	Description	Lumens	Wattage	Voltage	Color Temperature	Color Rendering Index
CSVT L48 5000LM MVOLT 40K 80CRI	00194995069408	4' MVOLT Vapor Tight LED Strip Light	4946	42	MVOLT (120-277)	4000K	80CRI
CSVT L48 AL03 MVOLT SWW3 80CRI	00194995069507	4' MVOLT Switchable LED Vapor Tight Strip Light	3106 - 4946	27 - 42	MVOLT (120-277)	35K/40K/50K	80CRI
CSVT L96 10000LM MVOLT 40K 80CRI	00194995280858	8' MVOLT LED Vapor Tight Strip Light	10300	87.9	MVOLT(120-277)	4000K	80CRI
CSVT L96 AL04 MVOLT SWW3 80CRI	00194995069446	8' MVOLT LED Vapor Tight Strip Light	6495-10300	55.3-87.9	MVOLT(120-277)	35K/40K/50K	80CRI

More configurations are available. [Click here](#) or visit www.acuitybrands.com and search for CSVT LED.

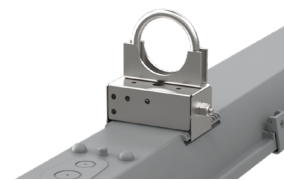
Accessories: Order as separate catalog number.	
CSVT STSL LATCH	Stainless steel latch kit (Set of 10) †
CSVTRMBA	Angle mount bracket (QTY of 2) (316 stainless steel)
CSVTRMBU	Rigid mount U-bolt bracket (QTY of 2) (316 stainless steel)
CSVTRMBK	Rigid mount bracket (QTY of 2) (316 stainless steel)
CSVTSMB	Replacement standard mounting brackets (QTY of 2) (301 stainless steel)
MHCH36SS	36" stainless steel chain (QTY of 2)



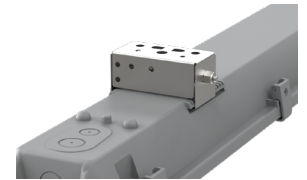
Shown with CSVTRMBA



Shown with CSVTSMB (ships standard with fixture)



Shown with CSVTRMBU



Shown with CSVTRMBK

† Option Value Ordering Restrictions	
Option value	Restriction
CSVT STSL LATCH	Requires two for L96



Specifications

INTENDED USE:

Available in several color temperatures, lumen packages and lengths. Ideal for use in commercial, retail, office, warehouse and display applications. **Certain airborne contaminants can diminish integrity of acrylic.** [Click here for Acrylic / Polycarbonate Environmental Compatibility table for suitable uses.](#)

Certain airborne contaminants may adversely affect the functioning of LEDs and other electronic components, depending on various factors such as concentrations of the contaminants, ventilation, and temperature at the end-user location. [Click here for a list of substances that may not be suitable for interaction with LEDs and other electronic components.](#)

CONSTRUCTION:

- Light Gray Polycarbonate housing
- Frosted Polycarbonate lens
- Poured in place polyurethane gasket
- Polycarbonate Latches, field installable stainless steel latches available.
- Standard 1/2" wet location fitting

ELECTRICAL:

- High Efficiency LEDs meet DLC Standard
- MVOLT (120-277V) & 347V
- 0-10V Dimming standard
- Luminaire Surge Protection Level: Designed to withstand up to 2.5kV/0.75kA per ANSI C82.77-5-2015. For applications requiring higher level of protection additional surge protection must be provided.

INSTALLATION:

- Surface (wall, ceiling) using standard brackets includes bail for chain hanging
- Suspended (chain, cable) using standard brackets

LISTINGS:

- CSA Certified to UL & C-UL Standards for wet location
- IP65, IP66 rated per IEC60529
- FCC Title 47, Part 15 Subpart B compliant
- 2.5kV/0.75kA Surge Rated per ANSI C82-77-5-2015
- NSF splash zone rated
- DesignLights Consortium® (DLC) qualified product. Not all versions of this product may be DLC qualified. Please check the DLC Qualified Products List at www.designlights.org/QPL to confirm which versions are qualified.

WARRANTY:

5-year limited warranty. This is the only warranty provided and no other statements in this specification sheet create any warranty of any kind. All other express and implied warranties are disclaimed. Complete warranty terms located at:

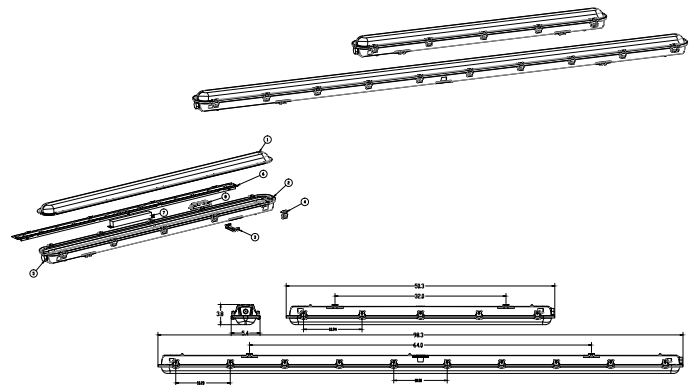
www.acuitybrands.com/support/warranty/terms-and-conditions

Note: Actual performance may differ as a result of end-user environment and application. All values are design or typical values, measured under laboratory conditions at 25 °C. Specifications subject to change without notice.

Dimensions

All dimensions are inches (centimeters) unless otherwise indicated.

4FT ASSEMBLY



Ambient Temperature Ratings		
Fixture Length	Lumen Package	Temperature Rating
L48	3000LM	-40° C - 45° C
	4000LM	-40° C - 45° C
	5000LM	-40° C - 45° C
	6000LM	-40° C - 35° C
L96	6000LM	-40° C - 30° C
	8000LM	-40° C - 30° C
	10000LM	-40° C - 30° C
	12000LM	-40° C - 30° C

Projected Lumen Maintenance			
Lumen Maintenance Factor	0.91	0.81	0.75
Operating Hours	40,000	90,000	120,000