

# INSTRUMENTATION & METERING TRANSFORMERS



**Donut Style**

**Foot Mounted**

## Description

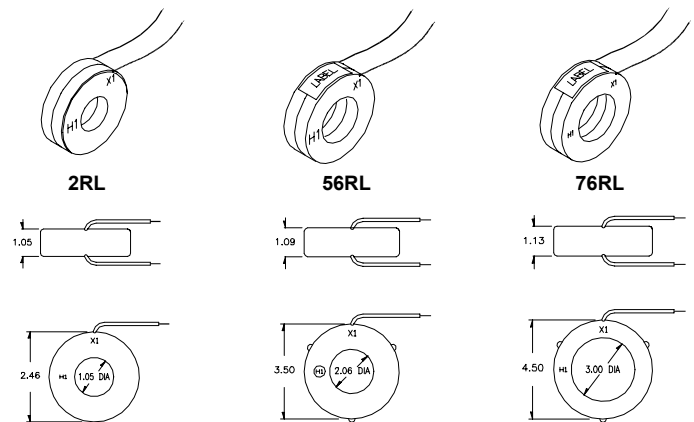
Littelfuse offers a wide array of instrument rated current transformers in 1-3 inch diameter opening.

Voltage class: 600V

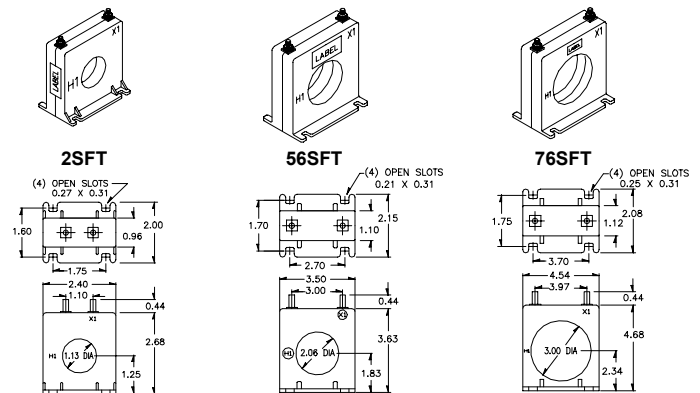
BIL rating: 10kV

## Dimensional Drawing

### DONUT STYLE



### FOOT MOUNTED WITH BRASS TERMINALS

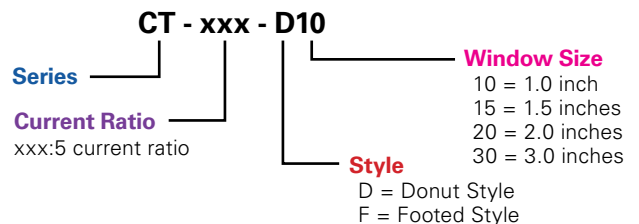


## Ordering Information



DONUT MODEL	WINDOW	CURRENT RATIO
CT-0050-D10	1.0"	50:5
CT-0075-D10	1.0"	75:5
CT-0100-D10	1.0"	100:5
CT-0150-D10	1.0"	150:5
CT-0200-D10	1.0"	200:5
CT-0300-D10	1.0"	300:5
CT-0200-D20	2.0"	200:5
CT-0300-D20	2.0"	300:5
CT-0400-D20	2.0"	400:5
CT-0500-D20	2.0"	500:5

FOOTED MODEL	WINDOW	CURRENT RATIO
CT-0050-F10	1.0"	50:5
CT-0100-F10	1.0"	100:5
CT-0150-F10	1.0"	150:5
CT-0200-F10	1.0"	200:5
CT-0300-F10	1.0"	300:5
CT-1200-F15	1.5"	1200:5
CT-0150-F20	2.0"	150:5
CT-0200-F20	2.0"	200:5
CT-0300-F20	2.0"	300:5
CT-0400-F20	2.0"	400:5
CT-0600-F20	2.0"	600:5
CT-0400-F30	3.0"	400:5
CT-0800-F30	3.0"	800:5

## Part Numbering System



# INSTRUMENTATION & METERING TRANSFORMERS

INSTRUMENTATION AND METERING TRANSFORMERS			
Product	Features	Inner Diameter	Accessory For
<p><b>CT-XXXX-DXX Series</b> Donut Style Transformer</p> 	<p>Littelfuse offers a wide array of instrument rated current transformers in 1-3 inch diameter opening. <b>For full datasheet and ordering information, see page 481.</b></p>	25.4 - 76.2 mm (1 - 3")	<p><b>Series:</b>  <b>777</b>      <b>DCSA</b>    <b>ECS</b>  <b>ECSW</b>    <b>LSR-0</b>   <b>LSR-XX</b>  <b>LSRU</b>    <b>LSRX</b>    <b>TCS</b>  <b>TCSA</b>    <b>LCSC10T12</b></p>
<p><b>CT-XXXX-FXX Series</b> Footed Style Transformer</p> 	<p>Littelfuse offers a wide array of instrument rated current transformers in 1-3 inch diameter opening. <b>For full datasheet and ordering information, see page 481.</b></p>	25.4 - 76.2 mm (1 - 3")	<p><b>Series:</b>  <b>777</b>      <b>DCSA</b>    <b>ECS</b>  <b>ECSW</b>    <b>LSR-0</b>   <b>LSR-XX</b>  <b>LSRU</b>    <b>LSRX</b>    <b>TCS</b>  <b>TCSA</b>    <b>LCSC10T12</b></p>

## Current Transformer Sizing Chart

Conductor Size (AWG/kcmil)	Minimum CT Window Size (Inner Diameter in mm)					
	Number of Conductors					
	1	3	4	6	8	12
12	4	8	9	11	13	15
10	6	10	11	14	16	19
8	7	12	14	17	20	24
6	9	15	18	22	25	31
4	11	19	22	28	32	39
3	13	22	25	31	36	44
2	14	25	28	35	40	49
1	16	28	32	39	45	55
1/0	18	31	36	44	51	62
2/0	20	35	40	49	57	69
3/0	23	39	45	55	64	78
4/0	25	44	51	62	72	88
250	28	48	55	67	78	95
350	33	56	65	80	92	113
500	39	67	78	95	110	135
750	48	82	95	117	135	165
1000	55	95	110	135	156	191

### Installation Instructions:

When installing the Zero-Sequence CTs, ensure the following:

1. Only the load carrying conductors pass through the center of the CT. This means L1 + N for 1-phase and L1 + L2 + L3 for 3-phase.
2. The power conductors pass through the center of the CT and are preferably bound together to keep the conductors uniformly spaced.
3. The power conductors pass perpendicular to the CT and, where practical, continue perpendicular to the CT on both sides of the CT for 3'.
4. The power conductors should not be installed in a way that allows them to run along the side edges of the CT.
5. Where practical, locate the CT away from noise-generating devices such as transformers, frequency converters, etc.