

DESCRIPTION

The Caretaker™ LED Area luminaire incorporates durability, long life, and unmatched performance in a package that is ideal for a wide variety of applications. The unique universal mounting plate allows quick and easy installation whether it is wall mounted security lighting, residential street lighting, perimeter area lighting, parking areas, loading platforms, boat docks, access drives or pathways. Designed for years of worry free illumination, the Caretaker luminaire is UL/cUL listed for wet locations, has a heavy-duty die-cast aluminum housing and includes an integrated 6kV surge protection device.

SPECIFICATION FEATURES

Construction

Die-cast, heavy-duty aluminum housing. Single-point access to hinged, removable power tray door for ease of installation and maintenance.

Optics

Injection molded optics are designed for widespread coverage and excellent uniformity, optimizing application spacing and maximizing efficiency. Available in two lumen packages with standard 5000K CCT with a minimum 70 CRI. Standard 5000K CCT with a minimum 70 CRI. Meeting the requirements for Dark Sky compliance, the Type V symmetric distribution creates a consistent, even distribution replacing up to 250W metal halide.

Electrical

LED driver mounted to removable die-cast aluminum door. Standard driver is non-dimming, 120V only. Optional dimming driver is offered with 120-277V, 50/60Hz and a ANSI C136.41 7-PIN photocontrol receptacle. Both drivers have 6kV onboard surge protection. Luminaire is designed for efficient thermal management; heat is transferred away from the LEDs for optimal efficiency, light output, and life. Lumen maintenance of 86% at 36,000 hours for 8-LED version. LED module is IP66 enclosure rated.

Mounting

The Caretaker luminaire is supplied with a universal mounting bracket for either wall or wood pole mounting and an integral two-bolt slipfitter for mounting on 1-1/4" to 2" standard pipe (1-5/8" to 2-3/8" O.D.).

Finish

Standard natural aluminum finish.

Warranty

Five-year warranty.



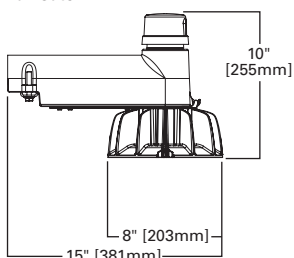
CTKR CARETAKER LED

8 or 12 LEDs
Solid State LED

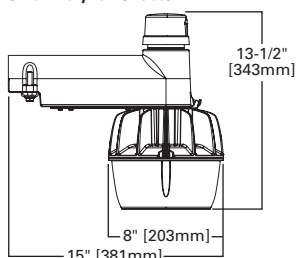
AREA LUMINAIRE

DIMENSIONS

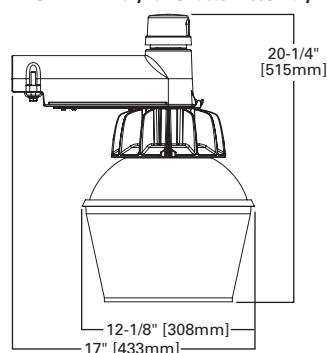
Full Cutoff



Small Acrylic Refractor

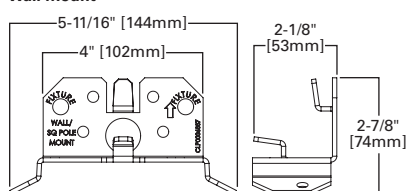


ANSI/NEMA Acrylic Refractor Assembly

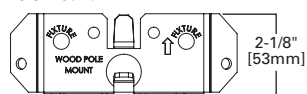


WALL/POLE MOUNTING BRACKET (INCLUDED)

Wall Mount



Pole Mount



CERTIFICATION DATA

UL/cUL Wet Location Listed
IP66 Optical Chamber
LM79/LM80 Compliant
3G Vibration Rated
RoHS Compliant
DesignLights Consortium™ Qualified*
Lighting Fact® Registered

ENERGY DATA

Electronic LED Driver
> 0.9 Power Factor
< 20% Total Harmonic Distortion
120V, 50/60Hz
-40°C Minimum Ambient Temperature Rating
+40°C Maximum Ambient Temperature Rating

EPA

Effective Projected Area: (Sq. Ft.)
Full Cutoff 0.67

SHIPPING DATA

Approximate Net Weight: 8 lbs. (3.6 kgs.)



POWER AND LUMENS

CCT (Color Temperature)	5000K		
Power (Watts)	50W	70W	
Input Current @ 120V (A)	0.41	0.41	
Optics			
Type V	Lumens	5,212	7,169
	BUG Rating	3-0-1	3-0-1

LUMEN MULTIPLIER

Ambient Temperature	Lumen Multiplier
10°C	1.04
15°C	1.03
25°C	1.00
40°C	0.96

LUMEN MAINTENANCE

Ambient Temperature	TM-21 Lumen Maintenance (36,000 Hours)	Theoretical L70 (Hours)
8 LEDs		
25°C	> 86%	> 87,000
40°C	> 84%	> 72,000
12 LEDs		
25°C	> 83%	> 69,000

ORDERING INFORMATION

Stock Number	Wattage	Voltage	Dimming	LED Kelvin (CCT)	Photocontrol	Mounting	Accessories (Order Separately)
CTKRV1A	50W	120V	--	5000K	3-PIN NEMA Twistlock	Wall/Pole Mount Bracket and Integral Slipfitter	SR-CARETAKER =Small Acrylic Refractor RMARROA5 =ANSI/NEMA Acrylic Refractor Assembly
CTKRV2A	70W						
CTKRV1A-D-UNV	50W	120V-277V	0-10V	5000K	7-PIN NEMA Receptacle (With 3-PIN NEMA Twistlock Photocontrol)		
CTKRV2A-D-UNV	70W						

NOTE: DesignLights Consortium™ Qualified. Refer to www.designlights.org Qualified Products List under Family Models for details.