

Skylark Contour Reverse-Phase (Electronic Low-Voltage) Dimmer

Dimmer for ELV, LED, CFL, Halogen, and Incandescent dimmable bulbs.

Features

- On/off rocker switch with a linear-slide dimmer for a standard designer wallplate opening
- UL® Listed to control:
 - Dimmable LED with integrated driver
 - Dimmable compact fluorescent (CFL) with integrated ballast
 - Incandescent/Halogen
 - Electronic Low-Voltage (ELV) transformers with halogen or LED (see Lutron App Note #559)
- Reverse-phase type control. Neutral wire connection is required in the wallbox.
- 100% factory tested.

Application Requirements

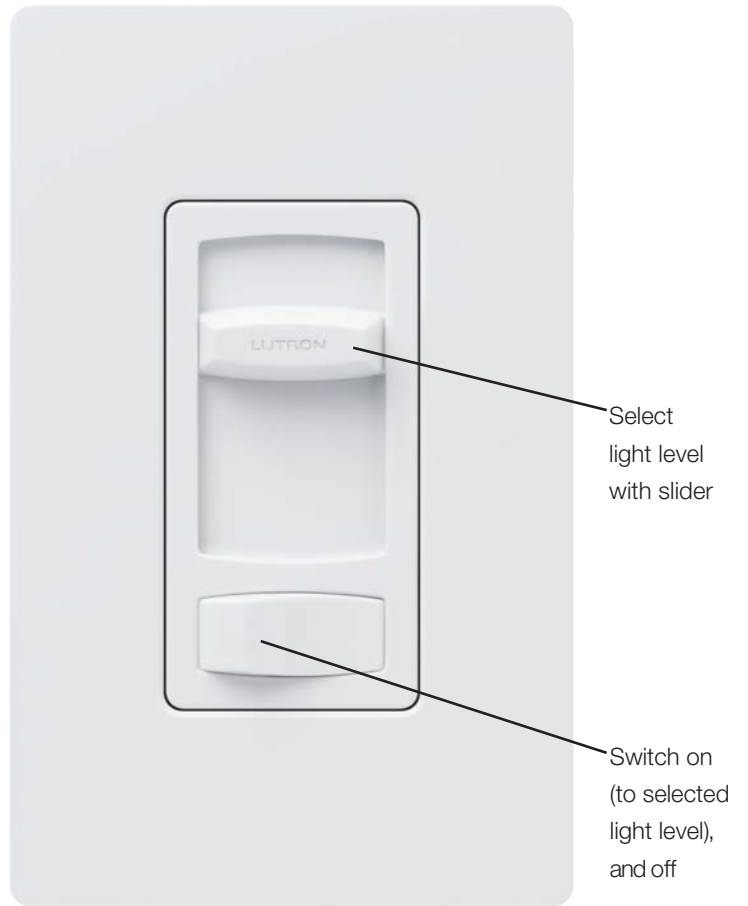
- **For the best performance, use a bulb that is on the Lutron LED Report Card Tool at www.lutron.com/ledtool**
For questions call 1.877.DIM.LED8.
- When dimming LEDs or CFLs, only bulbs marked or rated as DIMMABLE WITH REVERSE-PHASE OR UNIVERSAL DIMMERS may be used.
- Not compatible with magnetic low-voltage (MLV) transformers or magnetic LED transformers/drivers
- Dimmer is not compatible with bulbs rated only for forward-phase type dimmers.

Model Number

CTRP-253P-XX¹ Single pole/3-way²

¹ "XX" in the model number represents color/finish code; see "Colors and Finishes" on next page.

² For 3-way and 4-way switching, use Claro switches or other mechanical switches.



Select light level with slider

Switch on (to selected light level), and off

* Wallplate sold separately

Job Name:	Model Numbers:
Job Number:	

Specifications

Regulatory Approvals

- UL® Listed to US and Canadian safety requirements UL1472 / CSA C22.2 184.1
- NOM

Power and Ratings

- 120 V~ 60 Hz
- 250 W dimmable LED/CFL
- or**
- 500 W Incandescent/Halogen
- or**
- 500 W ELV with Halogen
- or**
- Mixed bulb type per **Multigang and Mixed Bulb Type Ratings** table (see page 3)

Minimum Load

- 1 compatible LED/CFL bulb
- or**
- 5 W Incandescent/Halogen
- or**
- 1 ELV transformer (See note on page 3)

Environment

- For indoor use only.
- Operating temperatures 32 °F to 104 °F (0 °C to 40 °C).

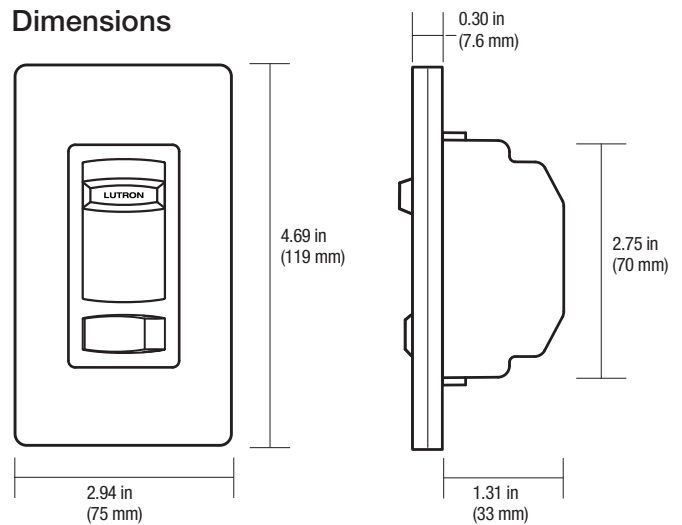
Performance

- Power-failure memory
- Captive linear slider
- Electrostatic discharge tested
- Precise color matching
- Mechanical air-gap switch to disconnect load power

Warranty

- 1 Year Limited Warranty
- For additional Warranty information, please visit http://www.lutron.com/TechnicalDocumentLibrary/369-119_Wallbox_Warranty.pdf

Dimensions



Note: Requires a U.S. wallbox 2½ in (64 mm) deep minimum.

Colors and Finishes

Gloss Finishes

Add color/finish code to model #

Example: CTRP-253P-WH

WH	White
IV	Ivory
AL	Almond
LA	Light Almond
GR	Gray
BR	Brown
BL	Black

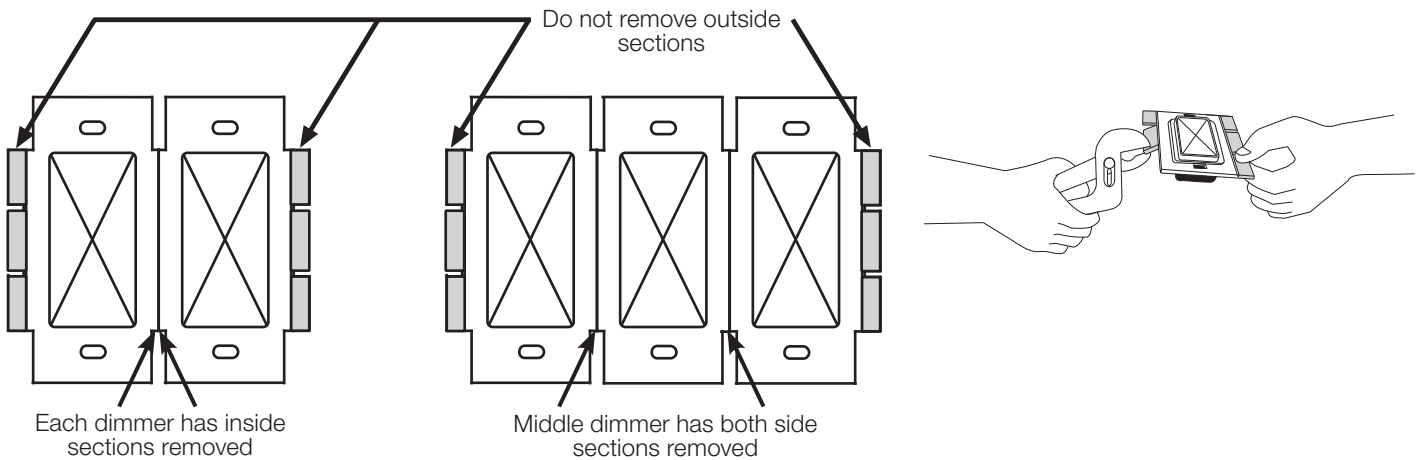
Job Name:	Model Numbers:
Job Number:	

Multigang and Mixed-Bulb-Type Ratings

When installing more than one dimmer in the same wallbox, it may be necessary to remove some side sections prior to wiring (**see diagram**). Removal of dimmer side sections may reduce maximum wattage, as shown in the chart below.

Mixing bulb types (**using a combination of LED/CFL and Incandescent/Halogen bulbs**) will also affect the maximum ratings, as shown in the chart below.

*EXAMPLE: If one set of side sections is removed and you have two 20 W LED bulbs installed (Total LED Wattage = 40 W), you may add up to 300 W of incandescent or halogen lighting.



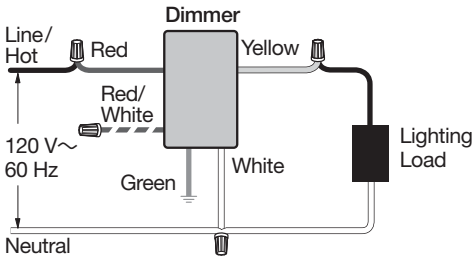
Total LED/CFL Wattage Installed (Wattage per bulb x # of bulbs)	+	Maximum Allowable Incandescent/Halogen Wattage		
		No sides removed	1 side removed	2 sides removed
0 W		500	400	300
1 W - 40 W		400	300	200
41 W - 80 W		300	200	100
81 W - 120 W		200	100	50
121 W - 160 W		100	50	25
161 W - 200 W		50	0	0
201 W - 250 W		0	0	0

Note: For recommended ELV transformers and compatible MR16 LED bulbs, please see Lutron Application Note #559 at www.lutron.com/TechnicalDocumentLibrary/048559.pdf. Always follow the transformer and bulb manufacturer instructions for allowable loading.

Job Name:	Model Numbers:
Job Number:	

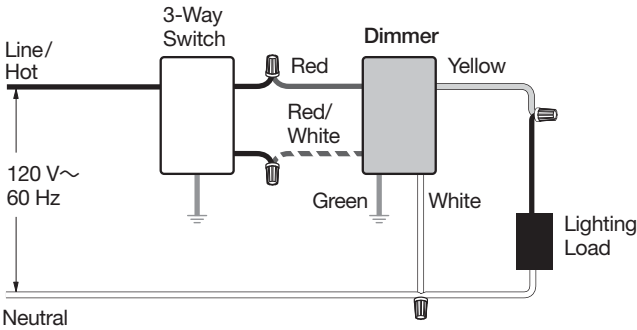
Wiring Diagrams

Single-Pole Wiring



3-Way Wiring

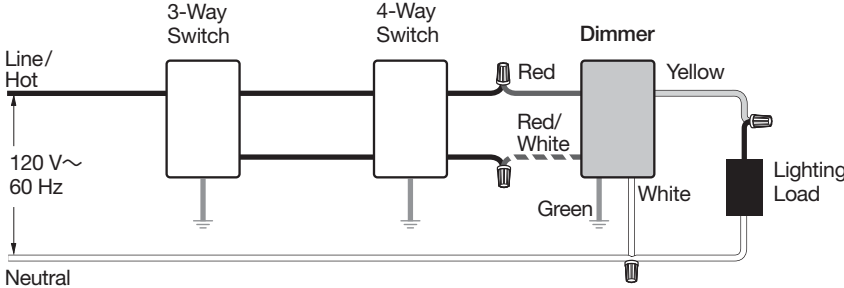
Dimmer Load-Side



Note: Dimmer must be installed on load-side per diagram.

4-Way Wiring

Dimmer Load-Side



Note: Dimmer must be installed on load-side per diagram.

Note: DO NOT swap the red and yellow wires or the LED dimming performance may be adversely affected.

Lutron, Lutron, Claro, and Skylark Contour are trademarks of Lutron Electronics Co., Inc., registered in the U.S. and other countries.

UL is a trademark of UL LLC.

LUTRON SPECIFICATION SUBMITTAL

Page

Job Name:	Model Numbers:
Job Number:	

Skylark Contour Reverse-Phase (Electronic Low-Voltage) Dimmer

Dimmer for ELV, LED, CFL, Halogen, and Incandescent dimmable bulbs.

Features

- On/off rocker switch with a linear-slide dimmer for a standard designer wallplate opening
- UL® Listed to control:
 - Dimmable LED with integrated driver
 - Dimmable compact fluorescent (CFL) with integrated ballast
 - Incandescent/Halogen
 - Electronic Low-Voltage (ELV) transformers with halogen or LED (see Lutron App Note #559)
- Reverse-phase type control. Neutral wire connection is required in the wallbox.
- 100% factory tested.

Application Requirements

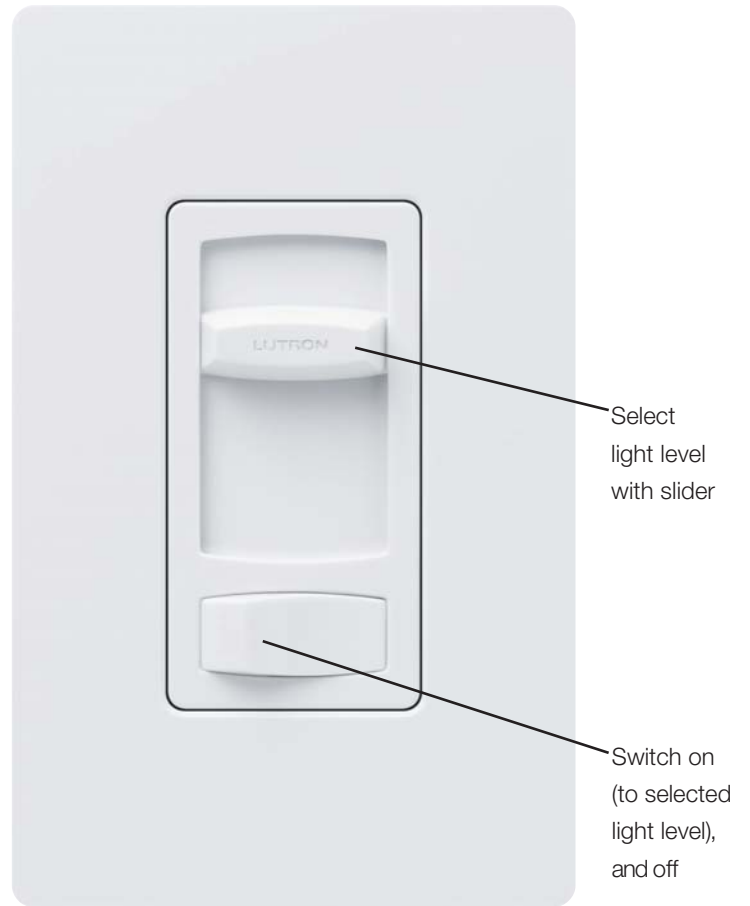
- **For the best performance, use a bulb that is on the Lutron LED Report Card Tool at www.lutron.com/ledtool**
For questions call 1.877.DIM.LED8.
- When dimming LEDs or CFLs, only bulbs marked or rated as DIMMABLE WITH REVERSE-PHASE OR UNIVERSAL DIMMERS may be used.
- Not compatible with magnetic low-voltage (MLV) transformers or magnetic LED transformers/drivers
- Dimmer is not compatible with bulbs rated only for forward-phase type dimmers.

Model Number

CTRP-253P-XX¹ Single pole/3-way²

¹ "XX" in the model number represents color/finish code; see "Colors and Finishes" on next page.

² For 3-way and 4-way switching, use Claro switches or other mechanical switches.



* Wallplate sold separately

Job Name:	Model Numbers:
Job Number:	

Specifications

Regulatory Approvals

- UL® Listed to US and Canadian safety requirements UL1472 / CSA C22.2 184.1
- NOM

Power and Ratings

- 120 V~ 60 Hz
- 250 W dimmable LED/CFL
- or**
- 500 W Incandescent/Halogen
- or**
- 500 W ELV with Halogen
- or**
- Mixed bulb type per **Multigang and Mixed Bulb Type Ratings** table (see page 3)

Minimum Load

- 1 compatible LED/CFL bulb
- or**
- 5 W Incandescent/Halogen
- or**
- 1 ELV transformer (See note on page 3)

Environment

- For indoor use only.
- Operating temperatures 32 °F to 104 °F (0 °C to 40 °C).

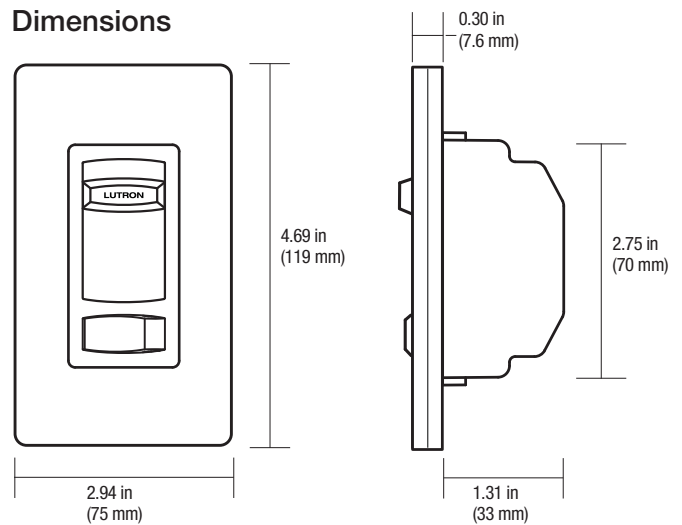
Performance

- Power-failure memory
- Captive linear slider
- Electrostatic discharge tested
- Precise color matching
- Mechanical air-gap switch to disconnect load power

Warranty

- 1 Year Limited Warranty
- For additional Warranty information, please visit http://www.lutron.com/TechnicalDocumentLibrary/369-119_Wallbox_Warranty.pdf

Dimensions



Note: Requires a U.S. wallbox 2½ in (64 mm) deep minimum.

Colors and Finishes

Gloss Finishes

Add color/finish code to model #

Example: CTRP-253P-WH

WH	White
IV	Ivory
AL	Almond
LA	Light Almond
GR	Gray
BR	Brown
BL	Black

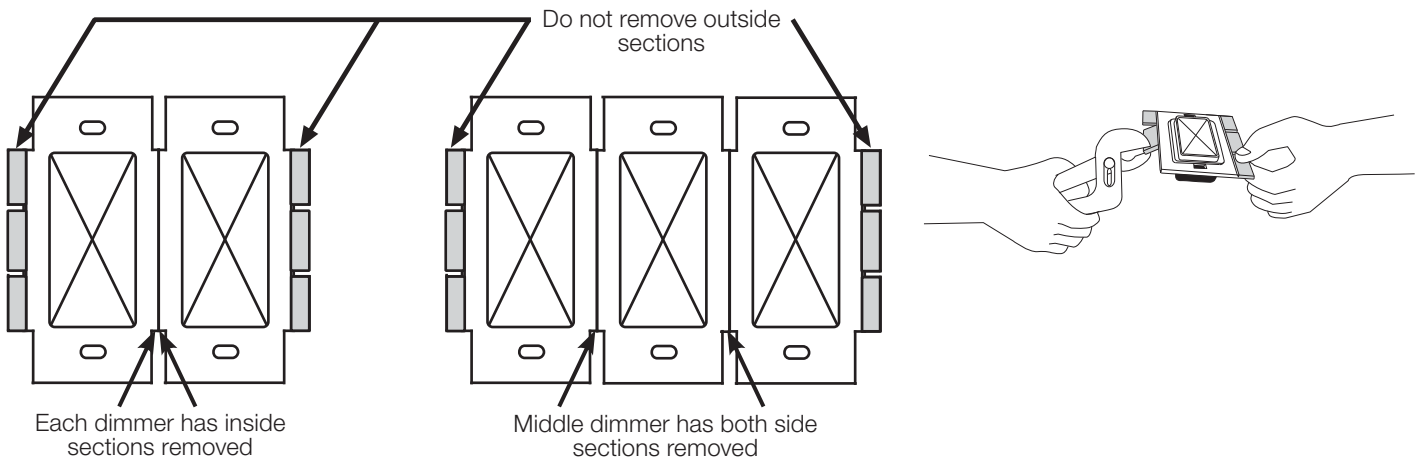
Job Name:	Model Numbers:
Job Number:	

Multigang and Mixed-Bulb-Type Ratings

When installing more than one dimmer in the same wallbox, it may be necessary to remove some side sections prior to wiring (**see diagram**). Removal of dimmer side sections may reduce maximum wattage, as shown in the chart below.

Mixing bulb types (**using a combination of LED/CFL and Incandescent/Halogen bulbs**) will also affect the maximum ratings, as shown in the chart below.

*EXAMPLE: If one set of side sections is removed and you have two 20 W LED bulbs installed (Total LED Wattage = 40 W), you may add up to 300 W of incandescent or halogen lighting.



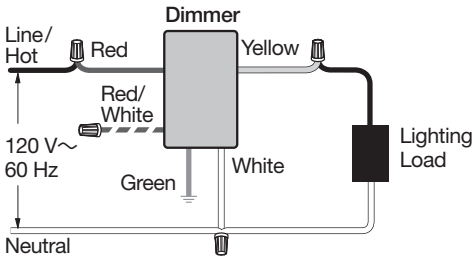
Total LED/CFL Wattage Installed (Wattage per bulb x # of bulbs)	CFL LED	Maximum Allowable Incandescent/Halogen Wattage		
		No sides removed	1 side removed	2 sides removed
0 W	+	500	400	300
1 W - 40 W	+	400	300	200
41 W - 80 W	+	300	200	100
81 W - 120 W	+	200	100	50
121 W - 160 W	+	100	50	25
161 W - 200 W	+	50	0	0
201 W - 250 W	+	0	0	0

Note: For recommended ELV transformers and compatible MR16 LED bulbs, please see Lutron Application Note #559 at www.lutron.com/TechnicalDocumentLibrary/048559.pdf. Always follow the transformer and bulb manufacturer instructions for allowable loading.

Job Name:	Model Numbers:
Job Number:	

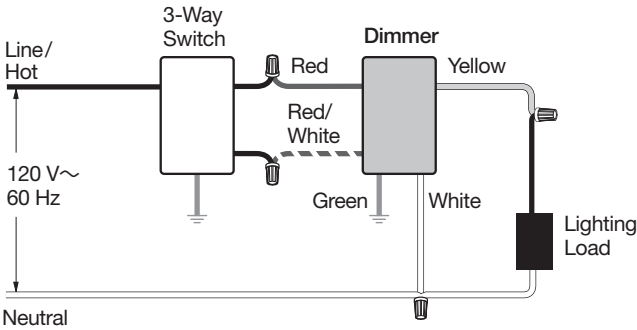
Wiring Diagrams

Single-Pole Wiring



3-Way Wiring

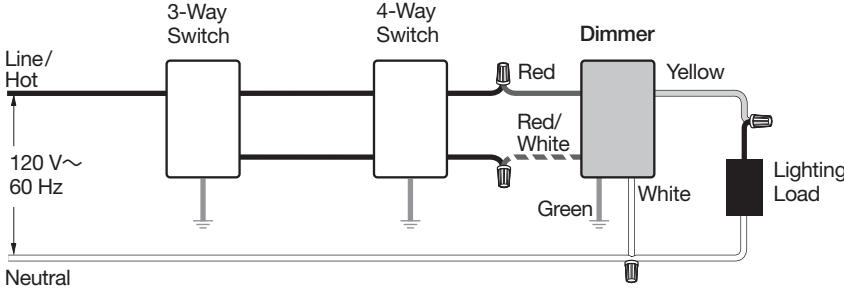
Dimmer Load-Side



Note: Dimmer must be installed on load-side per diagram.

4-Way Wiring

Dimmer Load-Side



Note: Dimmer must be installed on load-side per diagram.

Note: DO NOT swap the red and yellow wires or the LED dimming performance may be adversely affected.

Lutron, Lutron, Claro, and Skylark Contour are trademarks of Lutron Electronics Co., Inc., registered in the U.S. and other countries.

UL is a trademark of UL LLC.

LUTRON SPECIFICATION SUBMITTAL

Page

Job Name:	Model Numbers:
Job Number:	