

3L Photocells

Cl. I, Div. 2, Groups A, B, C, D
Maintains Cl. I, Div. 2 Suitability of Eaton's
Crouse-Hinds Champ® Series Luminaires

V2PC, D2S and EV2IH Series

**The only UL recognized photocells for Class I, Division 2 areas.
Eliminates the need for an explosionproof box!**

Eaton's Crouse-Hinds factory-sealed, field installed photocells offer reliable, dusk-to-dawn lighting control in Class I, Division 2 locations. These photocells are ideal for walkways, security lighting, and any other outdoor lighting application that utilizes Champ® H.I.D. lighting luminaires.

Applications:

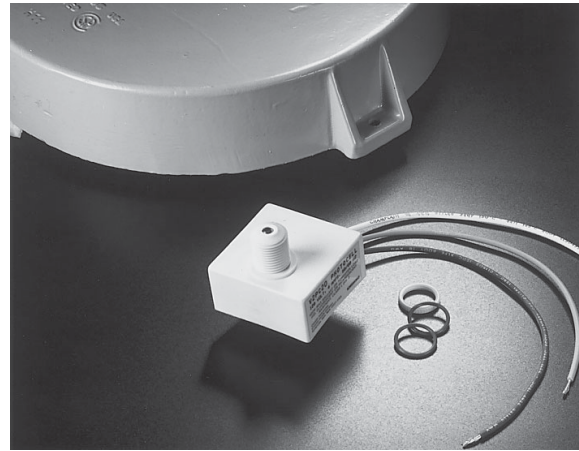
Eaton's Crouse-Hinds photocells are designed:

- To provide control for automatic dusk-to-dawn lighting.
- For safety by turning on outdoor luminaires in critical passageways at night.
- To save energy by operating luminaires only when necessary.
- For walkways, parking areas, outdoor process areas, security lighting, or any outdoor lighting application in Class I, Division 2 locations and corrosive environments.
- For use with LMV, DMV, VMV, VMV High Wattage, and FMV Series Champ® lighting luminaires (V2PC Series).
- For use on 35–400 watt H.I.D., incandescent, or fluorescent lighting luminaires.
- For remote mounting in FS boxes (D2S Series).
- For mounting in EIH enclosures for Class I, Division 1 applications (EV2IH Series).

Features:

- Field-installable.
- Solid-state design for performance and dependability.
- Factory sealed components.
Explosionproof enclosure not required for Class I, Division 2 locations.
- Luminaires turn on at 3 footcandles, off at 8 footcandles insuring that the luminaires are operating only when needed.
- Built-in 10 second time delay to eliminate nuisance tripping.
- Eight-year operating life.
- Furnished with 6" stranded 600 volt color coded wire leads.
- Constructed from corrosion-resistant thermoplastic polyester.
- Available on a DS cover for use with any FS/FD box (D2S Series).
- Available in an EIH enclosure for use in Class I, Division 1, Groups B*, C, and D locations (EV2IH Series). No seals required.

*For Group B applications, seal within 1/2" of enclosure in accordance with Section 501-5 of the National Electric Code®.



Certifications and Compliances:

V2PC Series and D2S Series

- NEC/CEC:
Class I, Division 2, Groups A, B, C, D
- UL Standard: 844 – Hazardous (Classified) Locations
- CSA: C22.2 No. 55

EV2IH Series

- NEC/CEC:
Class I, Division 1 and 2, Groups B, C, D
Class II, Division 1, Groups E, F, G
Class II, Division 2, Groups F, G
Class III
- NEMA: 3, 4, 7BCD, 9EFG
- UL Standard: 844 – Hazardous (Classified) Locations
- CSA: C22.2 No. 30, 55

Electrical Rating Ranges:

- 120, 208, 220, 240, 277 VAC
- 50 / 60 Hz
- 35–400 watt H.I.D., incandescent, or fluorescent
- V2PC20 – 3.3A max. current rating
- V2PC22 – 1.8A max. current rating
- V2PC27 – 1.4A max. current rating

V2PC, D2S and EV2IH Series

Ordering Information:

Photocell for field installation in lighting fixtures*



Cat. #	Voltage Range	Current Rating
V2PC20	120V, 50/60Hz	3.3A
V2PC22	208-240V, 50/60Hz	1.8A
V2PC27	277V, 50/60Hz	1.4A

Photocell in DS cover for use with FS/FD box



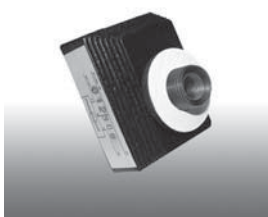
Cat. #	Voltage Range
D2S20	120V, 50/60Hz
D2S208 277	208V-277V

Photocell in EIH enclosure for use in Class I, Division 1, Groups B, C, and D; Class II, Division 1, Groups E, F, and G; and Class III locations



Cat. #	Voltage Range
EV2IH20	120V, 50/60Hz
EV2IH208 277	208-277V 50/60Hz

Replacement Photocell for D2S Cover or EIH Enclosure * †



Cat. #	Voltage Range	Current Rating
V2PCT20	120V, 50/60Hz	8.33A
V2PCT208 277	208V-277V 50/60Hz	4.81A - 3.61A depending on voltage

* Must be factory installed in Canada.

† When mounting in EIH enclosures for Class I, Division 1 applications (EV2IH Series) seals are not required for Groups C & D.

Options:

To order luminaire with photocell factory installed:
 1. Specify luminaire dedicated supply voltage (not MT, DT, or TT)
 2. Add photocell Cat. No. to fixture Cat. No. as follows:

- V2PC20
- V2PC22
- V2PC27

Example: VMVSJ070GP/120-V2PC20 is a 120V 60Hz luminaire with a factory installed photocell.

Note: Only the V2PC is available as a factory installed photocell.

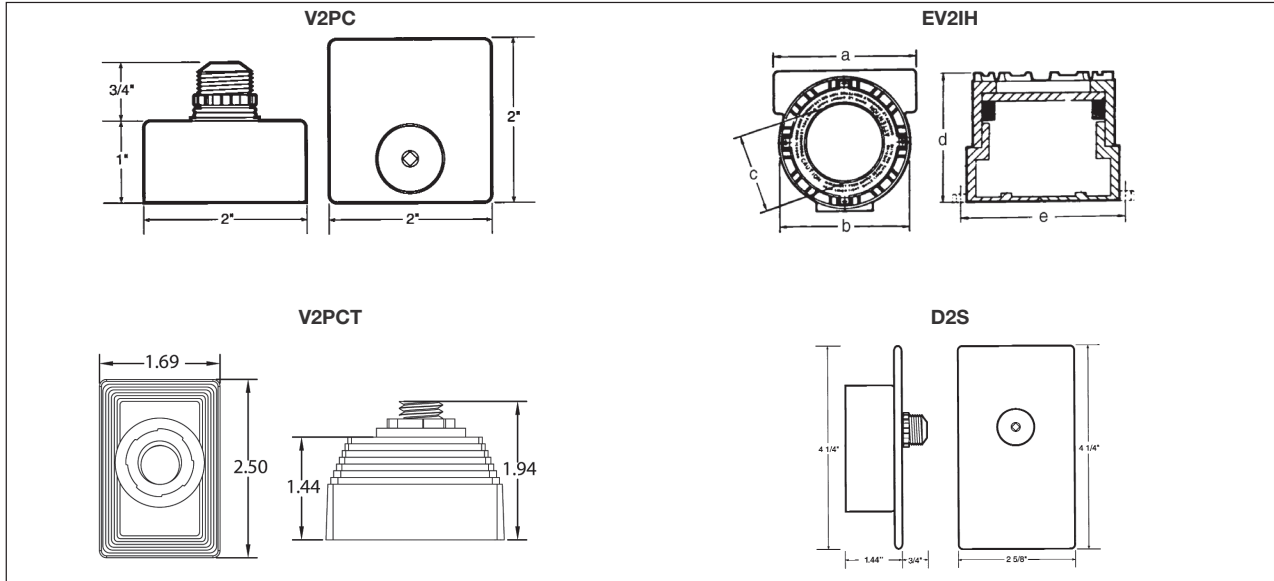
V2PC not available with ceiling mount Champ® cover (VMV, LMV and DMV Series).

3L Photocells

Cl. I, Div. 2, Groups A, B, C, D
 Maintains Cl. I, Div. 2 Suitability of Eaton's
 Crouse-Hinds Champ® Series Luminaires

V2PC, D2S and EV2IH Series

Dimensions: In Inches:



Cat. #	a	b	c	d	e
EV2IH	5.00	4.25	2.60	4.54	5.25

