

DuraFlood Value 10

10W LED Flood



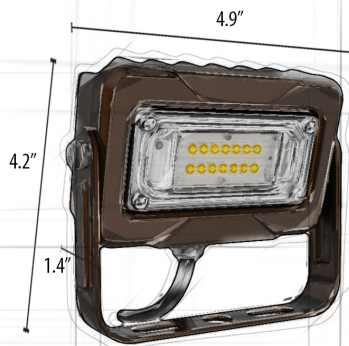
Part Number: DFV10Y-BRZ-120D5K
UPC: 817938020365
Power: 10W
Lumens: 1,200
Equivalence: 60W Par 38 / MH

- » 5 Year Warranty
- » ETL/DLC Listed
- » Energy Efficient - **120 lm/W**
- » Replaces up to 60W traditional metal halide fixtures
- » Mean Well drivers standard in every fixture
- » Die-cast aluminum housing with polycarbonate lens
- » Sealed and gasketed - IP65 Rating

» Also available with a 1/2" knuckle mount

PRODUCT DESCRIPTION

The DuraFlood Value line of LED flood lights are ideal for general purpose area lighting in light industrial and residential applications. DuraFlood Value are versatile enough to be used in landscape applications as well. These fixtures are small, lightweight, energy-efficient and low-maintenance. The DFV series is rated IP65 for use in wet locations.

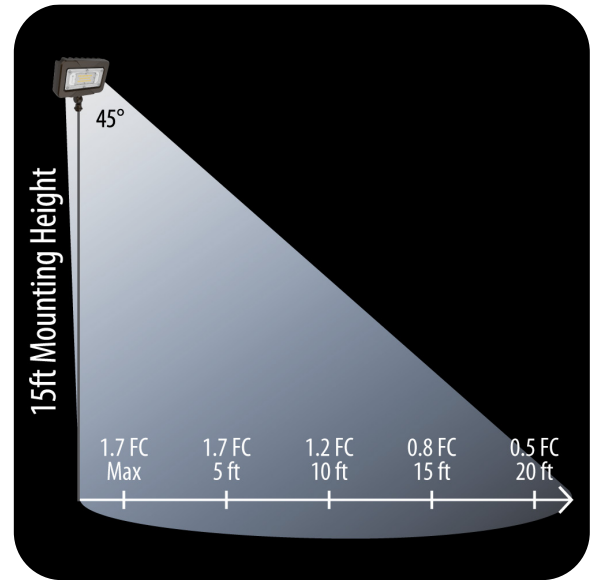
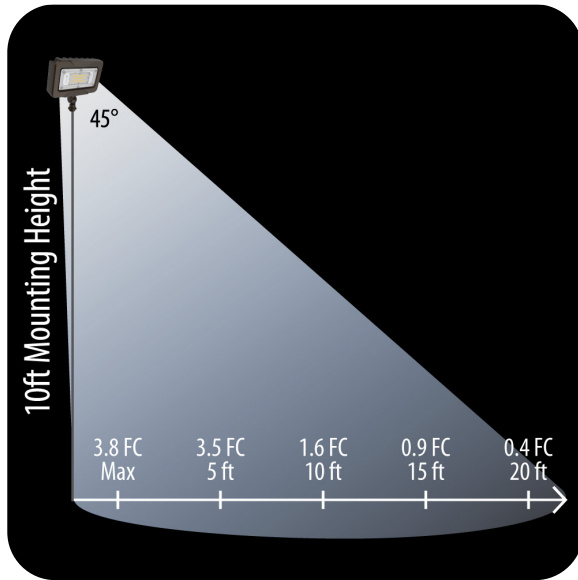


TECHNICAL SPECS



Lumens	1,200	CRI	> 70
CCT	5000K	Lifespan	> 50,000 Hours
Driver	DRMA	IP Grade	IP65 Wet Location
Operating Voltage	100-277 VAC	Body Construction	Aluminum w/ PC lens
Operating Temperature	-40° to 113° F	Dimensions	4.9" x 4.2" x 1.4"
Power Consumption	10W	Weight	1.0 lbs
Beam Angle	120°		

PRODUCT PHOTOMETRICS



PHOTOMETRIC DATA

Mounting Height	Maximum Observed FC	FC 5 ft from pole	FC 10 ft from pole	FC 20 ft from pole
5 ft	15.2	7.3	1.4	0.2
8 ft	5.9	4.8	1.6	0.3
10 ft	3.8	3.5	1.6	0.4
12 ft	2.7	2.5	1.4	0.4
15 ft	1.7	1.7	1.2	0.5

Download .IES files at wdlapps.com/store or contact your WDL territory manager for a complete lighting layout of your project.

FOOTCANDLE GUIDE

Average FC for Outdoor Area Applications

High Traffic Parking	5 fc
Low Traffic Parking	1 fc
Building Entrance	5 fc
Active Industrial Area	5 fc
Industrial Yard	1 fc
Storage Area (inactive)	1 fc
Recreational Field	30 fc
Competitive Field	50 fc

For More Information & TO ORDER

(888) 998-0864

Send POs to orders@westdurablelighting.com

HOME OFFICE:

West Durable Lighting
5151 Headquarters Dr. #120
Plano, TX 75024

WILL CALL:

WDL c/o Selery Logistics
1434 Patton Place, Suite 160
Carrollton, TX 75007

