

DESCRIPTION

The DMF Series is an energy efficient family of industrials that feature premium performance and durability. The industrial series incorporates heavy duty, embossed, reflectors that precisely direct and effectively control light. The versatile DMF Series can be installed using various mounting methods, and numerous options and accessories are available.

The DMF Series can be utilized in simple task and area lighting to the most demanding industrial applications.

Catalog #		Type
Project		
Comments		Date
Prepared by		

SPECIFICATION FEATURES

Construction

Channel is code gauge prime cold rolled steel. Die formed with deep V-grooves for tong hanger. Die formed channel connector assures straight rows and continuity of ground through set screws. Lampholder mounting brackets are easily inserted with snap-in action.

Electrical*

Ballast are CBM/ETL Class "P" and positively secured by mounting bolts. Metal clad lampholders are spring loaded for turret safety. UL/cUL listed. Suitable for damp locations.

Finish

Multistage iron phosphate pre-treatment ensures maximum bonding and rust inhibitor. Lighting grade, baked white enamel finish.

Reflectors

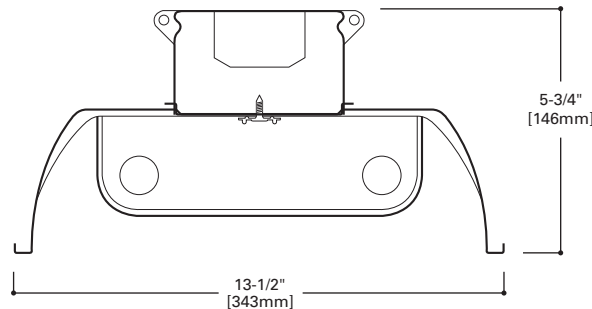
Die formed prime steel, code gauge. Deep draw full width ribs formed with one press stroke. Side flanges lend strength with upward turn. Easily cleaned. Baked white enamel 13-1/2" width. Four foot sections. Reflectors secured by positive retaining screw. Reflector aligners provided. Standard with 20% uplight (DMF). Closed top reflector (DCMF). Optional industrial fixtures are available incorporating silver technology enhancements (SilverLining).



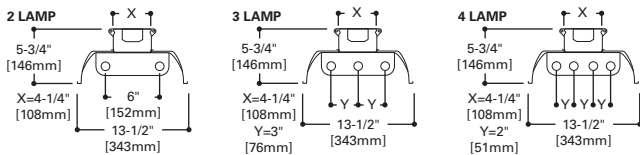
DMF
232
332
432

4' OR 8' INDUSTRIAL
2, 3 OR 4 LAMP

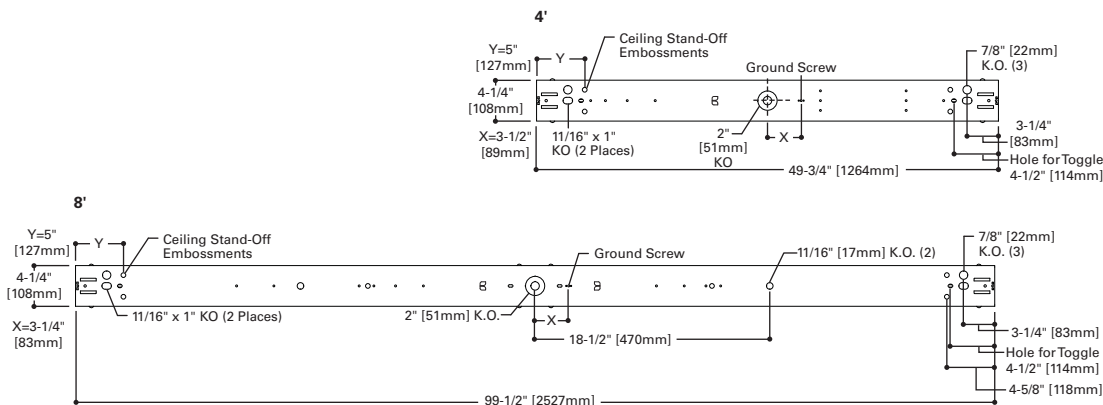
Heavy Duty Industrial



LAMP CONFIGURATIONS



MOUNTING DATA



ENERGY DATA

Input Watts:
ES Ballast & STD Lamps
232 (71), 332 (108), 432 (142)

Luminaire Efficacy Rating
LER = FI-78
Catalog Number: DMF-232

Yearly Cost of 1000 lumens, 3000
hrs at .08 KWH = \$3.08

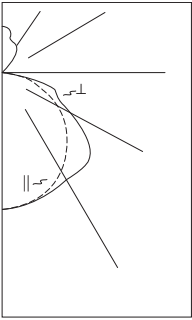
*Reference the lamp/ballast data in the
Technical Section for specific lamp/ballast
requirements.

LAMPS CONTAIN MERCURY. DISPOSE ACCORDING
TO LOCAL, STATE OR FEDERAL LAWS

LINEAR DISCONNECT

Safe and convenient means of
disconnecting power.

PHOTOMETRICS



DMF-232
 Electronic Ballast
 F32T8/35K Lamps
 2850 Lumens
 Spacing criterion:
 (||) 1.3 x mounting
 height, (⊥) 1.4 x
 mounting height
 Efficiency 90.8%
 Test Report:
 DMF232.IES
 LER = FI-78
 Yearly Cost of 1000
 lumens, 3000 hrs at
 .08 KWH = \$3.08

Coefficients of Utilization

rc	Effective floor cavity reflectance																		
	80%					70%					20%								
	rw	70	50	30	10	70	50	30	10	50	30	10	50	30	10	50	30	10	0%
RCR	0	105	105	105	105	100	100	100	100	93	93	93	86	86	86	79	79	79	76
	1	95	91	87	84	91	88	84	81	81	78	76	75	73	71	70	68	66	64
	2	87	79	73	68	83	76	71	66	71	66	62	66	62	59	61	58	55	53
	3	79	70	62	57	76	67	61	55	62	57	52	58	53	50	54	50	47	44
	4	72	61	54	48	69	59	52	47	55	49	44	51	46	42	48	44	40	38
	5	66	54	46	40	63	52	45	39	49	42	37	45	40	35	42	37	34	31
	6	60	48	40	34	57	46	39	33	43	37	32	40	35	30	38	33	29	27
	7	55	43	35	29	53	42	34	29	39	32	28	36	31	26	34	29	25	23
	8	51	38	31	25	49	37	30	25	35	28	24	32	27	23	30	25	22	20
	9	47	34	27	22	45	33	26	21	31	25	20	29	23	19	27	22	19	17
	10	43	31	24	19	41	30	23	19	28	22	18	26	21	17	25	20	16	15

Zonal Lumen Summary

Zone	Lumens	%Lamp	%Fixture
0-30	1016	17.8	19.6
0-40	1703	29.9	32.9
0-60	3238	56.8	62.5
0-90	4330	76.0	83.7
90-180	846	14.8	16.3
0-180	5176	90.8	100.0

Candela

Angle	Along	45°	Across ⊥
0	1278	1278	1278
10	1258	1264	1268
20	1195	1214	1228
30	1092	1133	1180
40	952	1039	1174
50	781	972	1075
60	582	817	724
70	367	472	553
80	157	251	138
90	15	30	21
100	31	65	50
110	96	18	38
120	169	45	20
130	240	140	64
140	304	244	173
150	358	286	286
160	398	369	311
170	424	426	420
180	434	434	434

ORDERING INFORMATION

SAMPLE NUMBER: DMF-232-120V-EB81-U

<p>Tandem Blank=4' Length 8T=8' Length</p>	<p>Number of Lamps 2, 3 or 4 Lamps (Not included)</p>	<p>Ballast Type ⁽¹⁾ EB8 =T8 Electronic Instant Start. Total Harmonic Distortion < 10% No. of Ballast 1, 2 or 3 EB8 /PLUS= T8 Electronic Instant Start. High Ballast Factor >1.13. Total Harmonic Distortion < 20% No. of Ballast 1, 2 or 3 ER8 =T8 Electronic Program Rapid Start. Total Harmonic Distortion < 10% No. of Ballast 1, 2 or 3</p>	<p>Options 6-3/18 SJT-C&P-515P=Cord & Plug (120V) 6-3/18 SJT-C&P-L715P=Cord & Plug (277V) P/CPI=Plug-In Option TILW=Tandem In-Line Wiring Option (Consult TILW Option Catalog Page) POX=Porlux Finish (See options & accessories)</p>	<p>Packaging U=Unit Pack 4B=4 Bulk</p>
<p>Series DMF= Apertured Reflector DCMF= Closed Top Reflector</p>	<p>Wattage (Length) 32=32W T8 (48")</p>			
<p>Lamp Spacing Blank=Standard Spacing N=Narrow Spacing for 2 Lamp Only (10% uplight)</p>	<p>Voltage ⁽¹⁾ 120V=120 Volt 277V=277 Volt 347V=347 Volt UNV=Universal Voltage 120-277</p>			
	<p>Options GL=Single Element Fuse GM=Double Element Fuse EL=Emergency Installed</p>			

ACCESSORIES

- (Order Separately)
- A1B/Spacer-U**=Spacer 1-1/2" to 2-1/2" from ceiling (Use 2 per fixture)
 - ATG-DIF-4-U**=Tong Hanger (Use 2 per fixture)
 - SCF**=Fixed Stem Set (Specify Length)
 - SCS**=Swivel Stem Set (Specify Length)
 - SCA**=Adjustable 48" Stem Set
 - AYC-Chain/Set-U**=Chain Hanger Set (Use 1 set per fixture)
 - WG/DIF4FT-U**=Wire Guard
 - GYM GUARD, GG-DIF**=Wire Gym Guard
 - MECL-DIF/RS-49-3/4-U**=Metal Egg Crate Louver
 - MECL-DIF/RS-99-1/2-U**=Metal Egg Crate Louver
 - DIF2 LONG CONN (PREPAINTED)**=Long Connector
 - DIF CLOSED END PLATE**=Closed End Plate

SHIPPING DATA

Catalog No.	Wt.
DMF-232	15 lbs.
8TDMF-232	30 lbs.
DMF-332	25 lbs.
DMF-432	25 lbs.

NOTES: ⁽¹⁾Products also available in non-US voltages and frequencies for international markets.
 Specifications & dimensions subject to change without notice. Consult your Cooper Lighting Representative for availability and ordering information.

