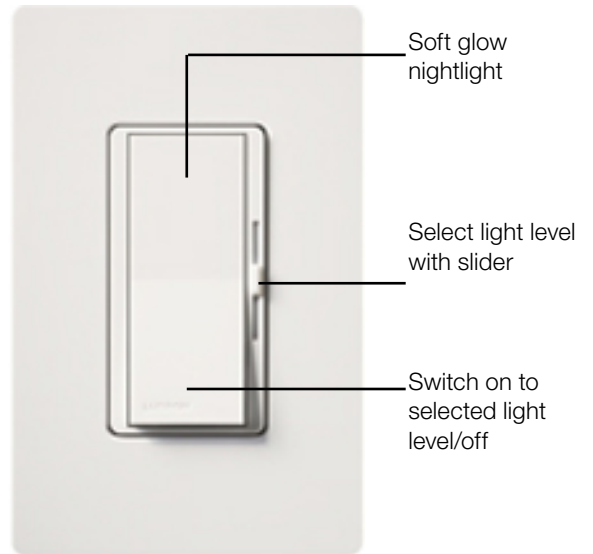


# Diva Controls

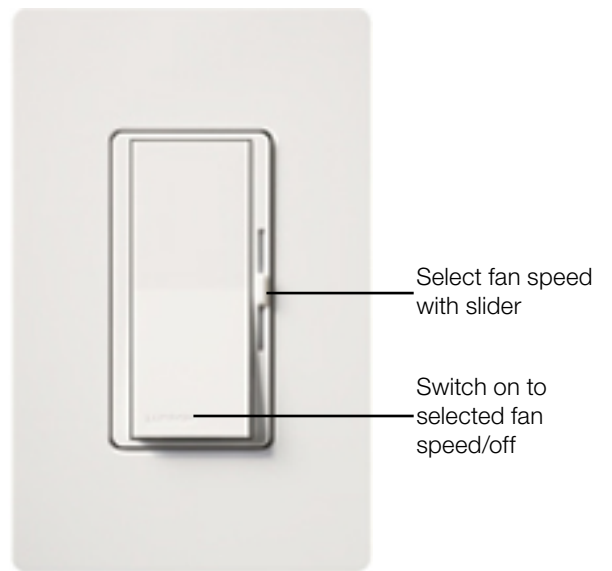
## Diva 3-Way Dimmers

### Features

- Large paddle switch with a captive linear-slide dimmer for a standard designer wallplate opening.
- Full family of products for most lighting sources.
- Dimmers feature built-in soft-glow nightlight.
- Use standard single-pole and 3-way wiring for easy installation in any home.
- For more choices, see the new Diva Satin Colors product line.



Preset Dimmer



Preset Fan-Speed Control

Job Name:	Model Numbers:
Job Number:	

## Specifications

### Standard Features

- Square law dimming
- Captive linear slider
- Precise color matching

### Standards

- UL listed
- CSA
- NOM

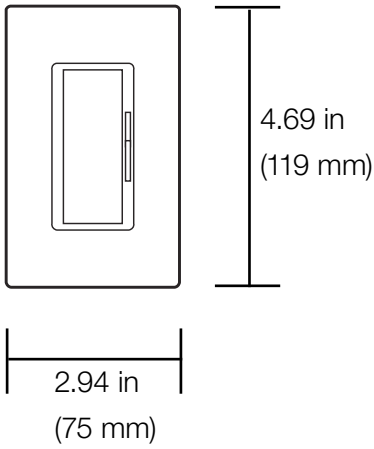
### Power / Performance

- 120 V~ 60 Hz
- Power-failure memory
- Electrostatic discharge tested
- RFI Suppression

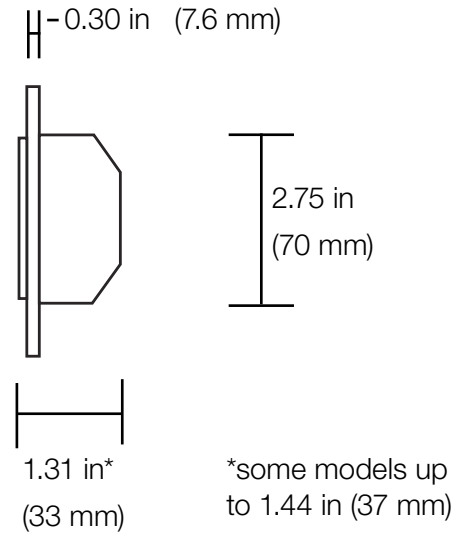
Job Name:  Job Number:	Model Numbers:
------------------------------	----------------

# Dimensions

## Front



## Profile



Job Name:	Model Numbers:
Job Number:	

Description Max Capacity<sup>1,6</sup> Model #

**Dimmers**

**Incandescent**

Preset Dimmers with Nightlight		
Single-pole	1000 W	DV-10P-
3-way	1000 W	DV-103P-

**Note:** The nightlight is visible best on the lighter color. For 3-way and 4-way switching, use with Claro switches or other mechanical switches.

**Electronic Low-Voltage**

Preset Dimmers with Nightlight		
Single-pole	300 W	DVELV-300P-
3-way	300 W	DVELV-303P-

**Note:** Requires neutral wire connection wire connection. The nightlight is visible best on the lighter colors. For 3-way and 4-way switching, use with Claro switches or other mechanical switches.

**Magnetic Low-Voltage**

Preset Dimmers with Nightlight		
Single-pole	600 VA (450 W) <sup>2</sup>	DVLV-600P-
Single-pole	1000 VA (800 W) <sup>2</sup>	DVLV-10P-
3-way	600 VA (450 W) <sup>2</sup>	DVLV-603P-
3-way	1000 VA (800 W) <sup>2</sup>	DVLV-103P-

**Note:** The nightlight is visible best on the lighter colors. For 3-way and 4-way switching, use with Claro switches or other mechanical switches.

**3-Wire LED/Fluorescent Ballast**

Preset Dimmers with Nightlight <sup>4</sup>		
Single-pole, 277 V~	8 A	DVF-103P-
Single-pole	6 A	DVF-103P-277 V
3-way	8 A	DVF-103P-
3-way, 277 V~	6 A	DVF-103P-277 V

**Note:** Requires neutral wire connection. The nightlight is visible best on the lighter colors. For 3-way and 4-way switching, use with Claro switches or other mechanical switches.

1 For capacities in multigang installations see **Derating/Maximum Capacity** on pg. 4  
 2 Actual lamp wattages.  
 3 For 3-way and 4-way switching, use with Claro switches or other mechanical switches.  
 4 No derating required if ganged.  
 5 A physical barrier (partition) must exist when ganging with line-voltage products.  
 6 For minimum load requirements see **Minimum Load Requirements** on pg. 5

<b>Job Name:</b>	<b>Model Numbers:</b>
<b>Job Number:</b>	

Description Max Capacity<sup>1,6</sup> Model #

**Fan-Speed Controls**

**Quiet Controls**

Preset Fan-Speed Controls <sup>3,4</sup>		
Single-pole/3-way	1.5 A	DVFSQ-F-
3-speed		

Preset Dimmers with Nightlight <sup>4</sup>		
Fan 3-speed with off	1.5 A	DVFSQ-LF-
Single-pole switch:		
Inc./Hal.	2 A	
CFL/LED	1 A	

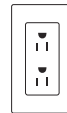
**Note:** Does not have soft-glow nightlight.

**Switches<sup>4</sup>**

**General Purpose Switching of all Sources and Motor Loads**

Single-pole, 120/277 V~	15 A	CA-1PS-
3-way, 120/277 V~	15 A	CA-3PS-
4-way, 120/277 V~	15 A	CA-4PS-

**Accessories**

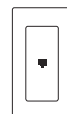


Receptacle <sup>4</sup>		
125 V~	15 A	CAR-15-
125 V~	20 A	CAR-20-



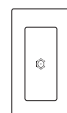
GFCI Receptacle <sup>4</sup>		
125 V~	15 A	CAR-15-GFST-
125 V~	20 A	CAR-20-GFST-

A physical barrier (partition) must exist when ganging with line-voltage products



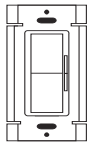
Single Telephone Jack <sup>5</sup>		
6 Conductor, RJ11	15 A	CA-PJ-

Note: Also accepts most 4-conductor plugs

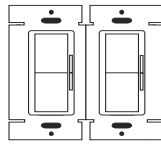


Cable TV Jack <sup>4,5</sup>		
F-Style		
75 Ω, coaxial cable jack		CA-CJ-

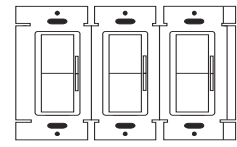
## Derating/Maximum Capacity



No side sections removed  
(Full Capacity)



One side section removed  
(End Units)



Two side sections removed  
(Middle Unit)

### Incandescent Dimmers

600 W	500 W	400 W
1000 W	800 W	650 W

### Electronic Low-Voltage

300 W	250 W	200 W
-------	-------	-------

### Magnetic Low-Voltage

600 VA (450 W <sup>1</sup> )	500 VA (375 W <sup>1</sup> )	400 VA (300 W <sup>1</sup> )
---------------------------------	---------------------------------	---------------------------------

1000 VA (800 W <sup>1</sup> )	800 VA (650 W <sup>1</sup> )	650 VA (500 W <sup>1</sup> )
----------------------------------	---------------------------------	---------------------------------

### Fluorescent Hi-lume/Eco-10 (ECO-Series)

20 ballasts / 8 A	No derating required
-------------------	----------------------

### Fan-Speed Controls

1.5 A	No derating required
-------	----------------------

<sup>1</sup> Actual lamp wattage.

## Minimum Load Requirements

- Incandescent/Magnetic Low-Voltage: 40 W
- Electronic Low-Voltage: 5 W
- Fluorescent
  - Hi-lume/Eco-10 (Eco Series): 1 ballast
- Fan-Speed Controls: .33 A (40 W)

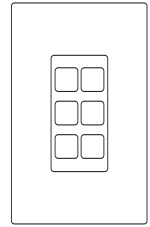
Job Name:	Model Numbers:
Job Number:	

## Accessories

### Field Customizable Multi-Port Frame










- 6-Port frame with 6 blanks
- CA-6PF-\*\*

\*\* For use with Lutron connectors shown below. Also compatible with Hubbell Xcelerator and snap-fit connectors.



### Connectors

- For use with 6-Port frame (CA-6PF-\*\*).
- Each connector fills one port.
- Available in white only.

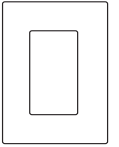
Phone Jack		6-conductor, RJ11, Category 3	CON-1P-C3-WH
Phone Jack		8-conductor, RJ45, Category 5e	CON-1P-C5E-WH
Phone Jack		8-conductor, RJ45, Category 6	CON-1P-C6-WH
Fiber Jack		MT-RJ Feed-Through	CON-1F-MTRJ-WH
Fiber Jack		SC Simplex	CON-1F-SC-WH
Fiber Jack		LC Non-Flush Mount	CON-1F-LC-WH
Fiber Jack		ST Style	CON-1F-ST-WH
Cable Jack		F-Style, 75 Ω Coaxial cable	CON-1C-WH
BNC Jack		BNC Connector	CON-1B-WH

Job Name:	Model Numbers:
Job Number:	

### Standard Wallplates

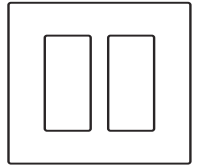
1-Gang CW-1-

2.94 in (75 mm) W x 4.69 in (119 mm) H x 0.30 in (7.6 mm) D



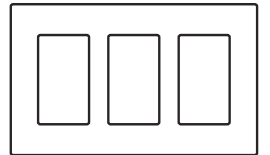
2-Gang CW-2-

4.75 in (121 mm) W x 4.69 in (119 mm) H x 0.30 in (7.6 mm) D



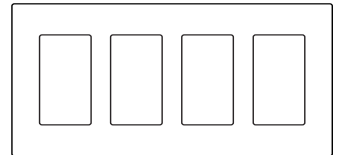
3-Gang CW-3-

6.56 in (167 mm) W x 4.69 in (119 mm) H x 0.30 in (7.6 mm) D



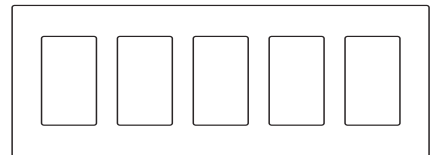
4-Gang CW-4-

8.37 in (213 mm) W x 4.69 in (119 mm) H x 0.30 in (7.6 mm) D



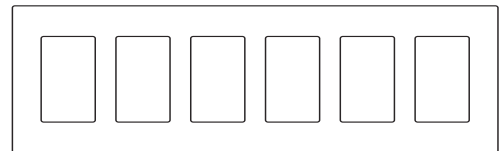
5-Gang CW-5-

10.18 in (259 mm) W x 4.69 in (119 mm) H x 0.30 in (7.6 mm) D



6-Gang CW-6-

12.00 in (305 mm) W x 4.69 in (119 mm) H x 0.30 in (7.6 mm) D



### Standard Colors/Finishes

For the latest color offerings, please see our website: [www.lutron.com/colors](http://www.lutron.com/colors)

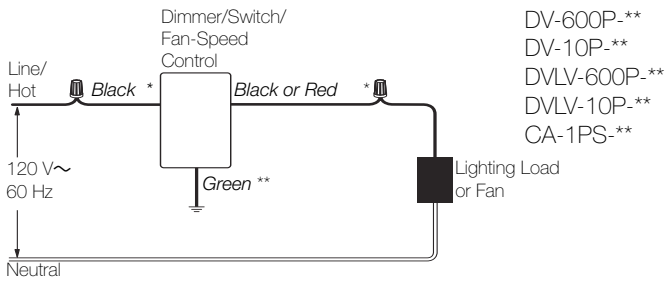
Job Name:	Model Numbers:
Job Number:	

# Wiring Diagrams

## Wiring Diagram 1

### Single-Pole Wiring

### Model #



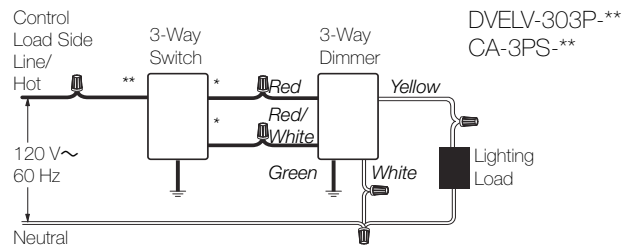
- DV-600P-\*\*
- DV-10P-\*\*
- DVLV-600P-\*\*
- DVLV-10P-\*\*
- CA-1PS-\*\*

- Ground \* or Brass screw terminal
- Wire Connectors \*\* or Green screw terminal

## Wiring Diagram 4

### 3-Way Wiring

### Model #



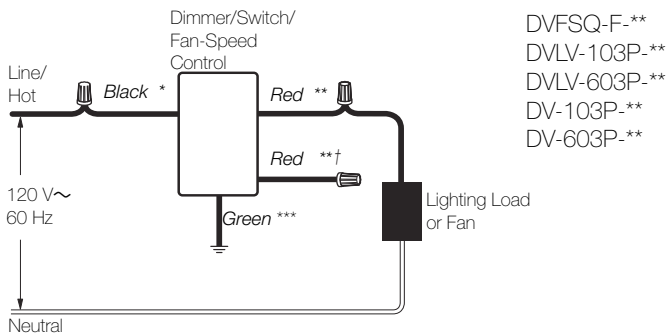
- DVELV-303P-\*\*
- CA-3PS-\*\*

- Ground \* or Copper/Black screw terminal
- Wire Connectors \*\* or Brass/Gold screw terminal

Note: 3-way switch must be wired on the line side of the dimmer.

## Wiring Diagram 2

### Single-Pole Wiring of 3-Way Control Model #



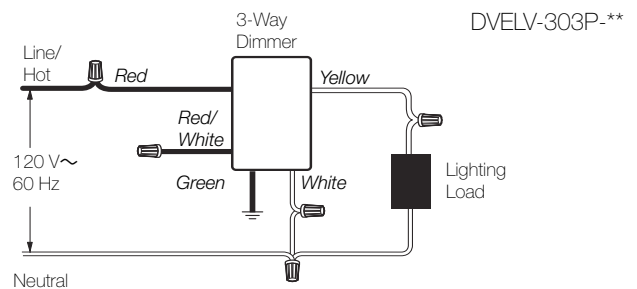
- DVFSQ-F-\*\*
- DVLV-103P-\*\*
- DVLV-603P-\*\*
- DV-103P-\*\*
- DV-603P-\*\*

- Ground \* or Copper/Black screw terminal
- Wire Connectors \*\* or Brass screw terminal
- \*\*\* or Green screw terminal
- † or Red/White stripe (cap off)

## Wiring Diagram 5

### 3-Way Used as Single-Pole

### Model #



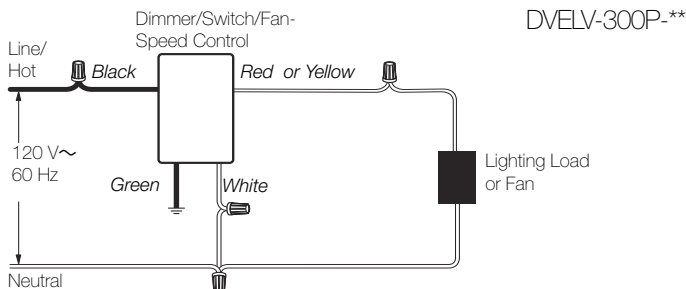
- DVELV-303P-\*\*

- Ground
- Wire Connectors

## Wiring Diagram 3

### Single-Pole Wiring

### Model #



- DVELV-300P-\*\*

- Ground
- Wire Connectors

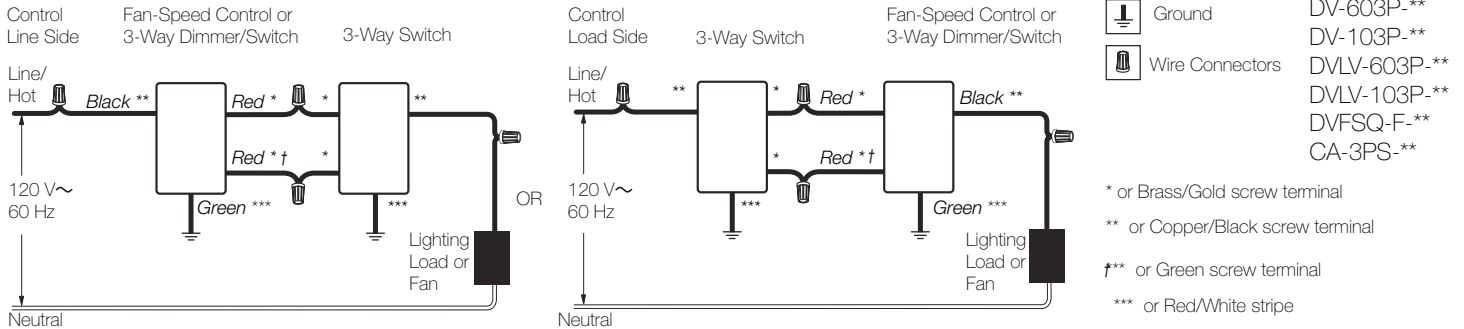
<b>Job Name:</b>  <b>Job Number:</b>	<b>Model Numbers:</b>
--	-----------------------

# Wiring Diagrams

## Wiring Diagram 6

### 3-Way Wiring

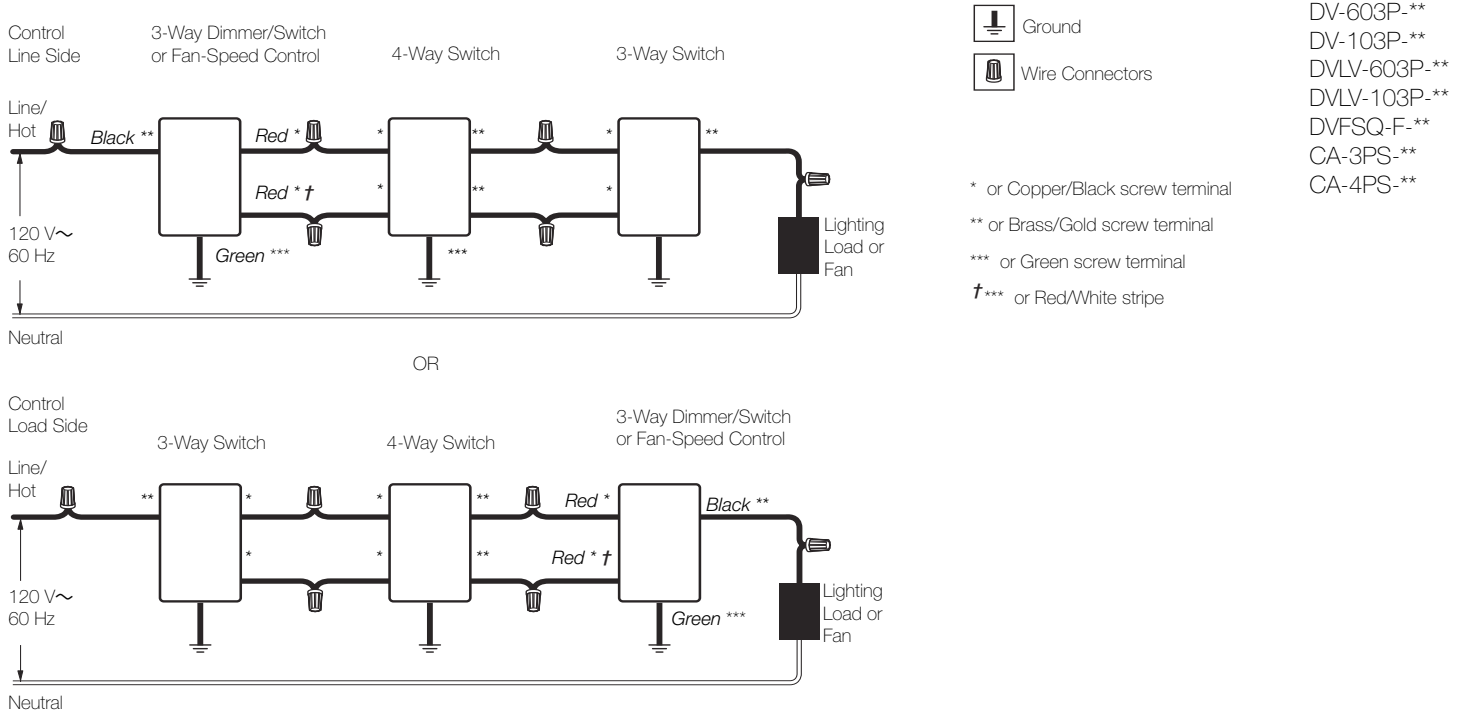
### Model #



## Wiring Diagram 7

### 4-Way Wiring

### Model #



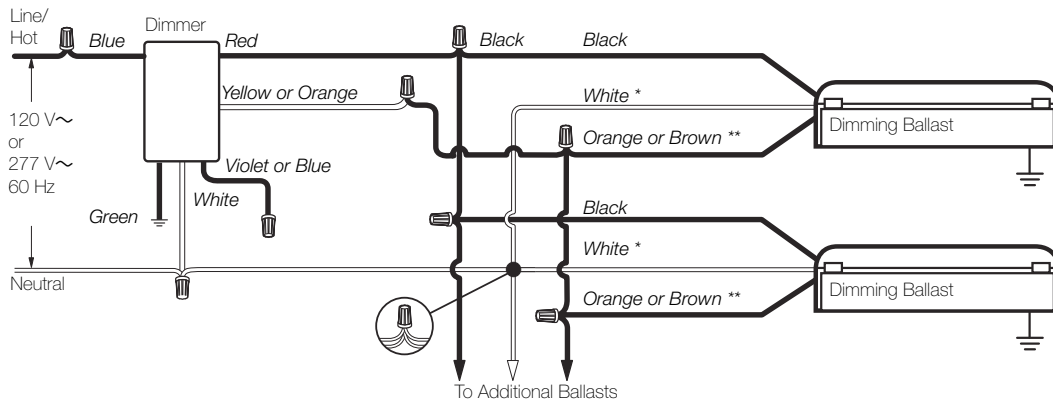
<p><b>Job Name:</b></p> <p><b>Job Number:</b></p>	<p><b>Model Numbers:</b></p>
---	------------------------------

# Wiring Diagrams

## Wiring Diagram 8

### Single-Pole Wiring of a 3-Way Control

Model #

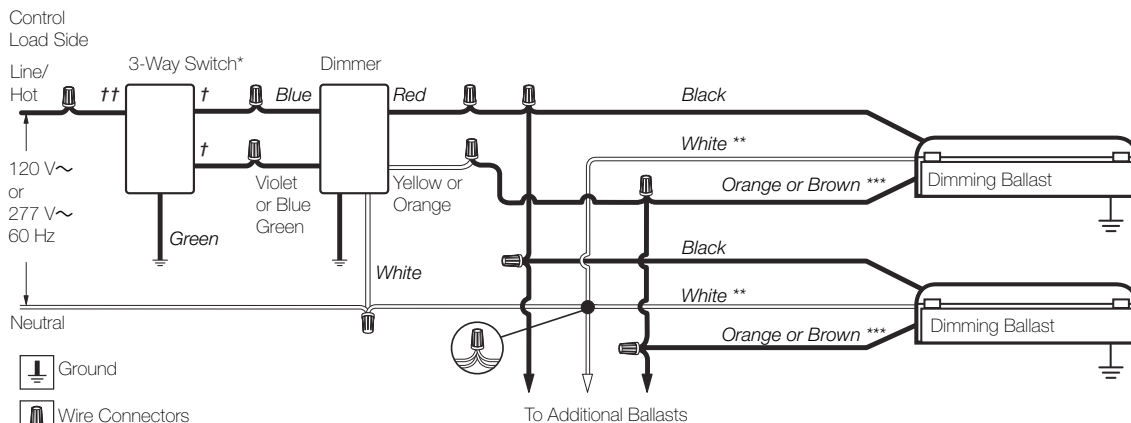


- Ground
  - Wire Connectors
  - Typical 4-Wire Connection
- \* must use lamp disconnect sockets with electronic dimming ballasts
- \*\* or Yellow/Blue or Yellow/Green when used with magnetic dimming ballasts
- DVF-103P-\*\*  
DVF-103P-277-\*\*

## Wiring Diagram 9

### 3-Way Wiring

Model #



- Ground
- Wire Connectors
- Typical 4-Wire Connection

\* 3-Way switch must be wired on line side of dimmer  
 \*\* must use lamp disconnect sockets with electronic dimming ballasts  
 \*\*\* or Yellow/Blue or Yellow/Green when used with magnetic dimming ballasts  
 † or Copper/Black screw terminal  
 †† or Brass/Gold screw terminal

DVF-103P-\*\*  
DVF-103P-277-\*\*  
CA-3PS-\*\*

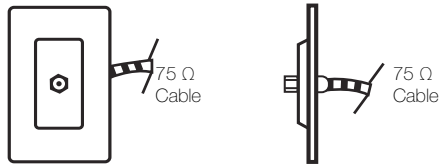
Job Name:	Model Numbers:
Job Number:	

## Wiring Diagrams

### Wiring Diagram 10

#### Cable TV Jack Wiring

Model #



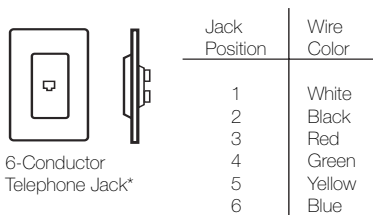
CA-CJ-\*\*

Cable TV Jack

### Wiring Diagram 11

#### Telephone Jack Wiring

Model #



CA-PJ-\*\*

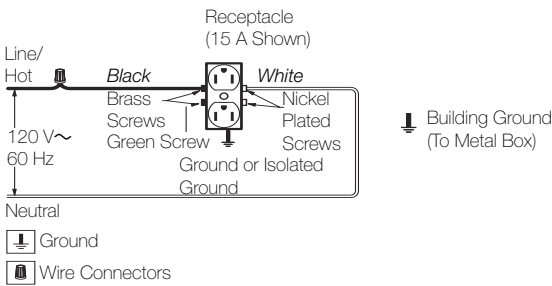
6-Conductor Telephone Jack\*

\*accepts most 4-conductor jacks

### Wiring Diagram 12

#### Receptacle Wiring

Model #

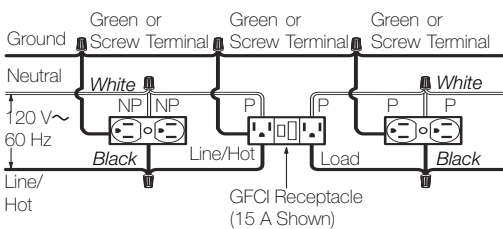


CAR-15-\*\*

### Wiring Diagram 13

#### GFCI Receptacle Wiring

Model #



CAR-15-GFST-\*\*

P - Protected  
NP - Not Protected

Wire Connectors

The Lutron logo, Lutron, Diva, Claro, Hi-lume, Eco-10, and Satin Colors are trademarks or registered trademarks of Lutron Electronics Co., Inc. in the US and/or other countries.

All other product names, logos, and brands are property of their respective owners.

Job Name:	Model Numbers:
Job Number:	