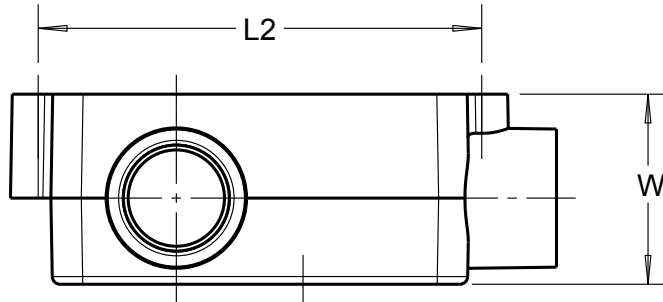
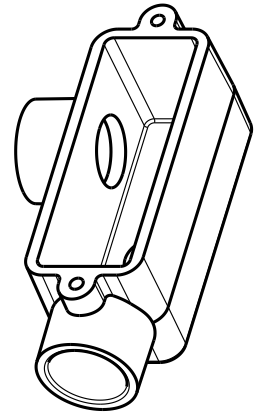
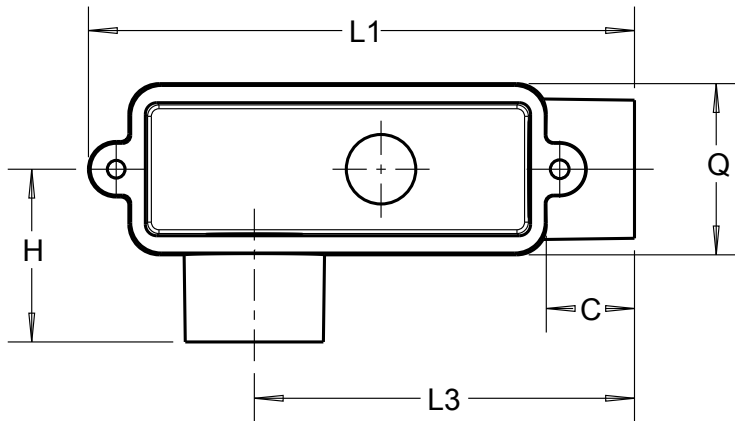


Carlton®



PART NO.	SIZE	C	L1	L2	L3	H	Q	W	CU.IN. VOL.
E985D-BULK E985D-CAR E985DCL E985D-CTN E985DL	1/2"	.68 [17.3]	4.31 [109.5]	3.22 81.8]	3.06 [77.7]	1.31 [33.3]	1.34 [33.3]	1.50 [38.1]	4.0
E985E-CAR E985ECL E985E-CTN E985EL	3/4"	.91 [23.1]	6.28 [159.8]	5.28 [134.1]	4.78 [121.4]	1.78 [45.2]	1.75 [44.5]	2.03 [51.6]	12.0
E985F E985F-CAR E985FL	1"	.91 [23.1]	6.28 [159.8]	5.28 [134.1]	4.78 [121.4]	1.78 [45.2]	1.75 [44.5]	2.03 [51.6]	12.0
E985G E985G-CAR	1-1/4"	1.09 [27.7]	7.97 [202.4]	6.41 [162.8]	6.00 [152.4]	2.31 [58.7]	2.50 [63.5]	2.75 [69.9]	32.0
E985H E985H-CAR	1-1/2"	1.09 [27.7]	7.97 [202.4]	6.41 [162.8]	6.00 [152.4]	2.31 [58.7]	2.50 [63.5]	2.75 [69.9]	32.0
E985J E985J-CAR	2"	1.16 [29.5]	9.16 [232.7]	8.41 [213.6]	7.25 [184.2]	2.56 [65.0]	3.16 [80.3]	3.47 [88.1]	63.0

GENERAL NOTES

1. ALL DIMENSIONS ARE FOR REFERENCE ONLY.
2. DIMENSIONS IN BRACKETS [] ARE IN METRIC UNITS.

REVISIONS

** SEE ERN (****)
FOR APPROVAL SIGNATURES
& RELEASE DATE.
PROJECT NO: ****

Thomas & Betts
www.tnb.com

DESCRIPTION: **ACCESS FITTING - TYPE "LR"**

ORIGINAL PROJECT NO / ECN NO

/ ()

SHEET NO:

1 OF 1

REV. NO:

A

DRAWING NO:

WSD-AC04746