

| | | | | | |
|-----------|--|------|--|-------------|--|
| Catalog # | | Date | | Prepared by | |
| Project | | Type | | Notes | |

HALO™

OUTDOOR LIGHTING



SBL SOLAR AREA LIGHT

WITH ALL-IN-ONE DESIGN AND 3 MODES OF OPERATION



Get reliable and hassle-free outdoor lighting with our Solar Area/ Barn Light. Choose from 3 lumen packages and mount up to 15ft. With 3 selectable modes and integrated dusk-to-dawn functionality, it's perfect for rural and off-grid areas. Easy to install with a 1-year warranty.

TOP PRODUCT FEATURES

- “Off-Grid” is a cost-effective option as it requires no expensive wiring to operate.
- The design is all-in-one, featuring an LED, solar panel, and battery that are built in for effortless installation.
- There are three levels of brightness available at 5000K - 1000, 1500, and 3000 lumens.
- The motion sensor included detection range of 120° and can detect movement from as far as 25 feet away.
- 3 selectable modes of operation with remote control
- Including Motion, Dusk-to-dawn, and Motion + Dusk-to-dawn.
- Battery runs up to 90mins at maximum output on full charge and lasts up to 500 cycles
- Battery recharges in 8 hours in full sun
- Fixture can be mounted up to 15ft on a wall or pole
- 1-year warranty for added peace of mind
- D2D mode runs for 8 hours at 10% lumen output
- 8-hour recharge time to 100%

PRODUCT CERTIFICATION



INTERACTIVE MENU

- [Order Information](#) page 5
- [Product Specification](#) page 6
- [Product Warranty](#) page 6
- [Product Dimensions](#) page 5
- [Photometric Data](#) page 6

TYPICAL APPLICATIONS

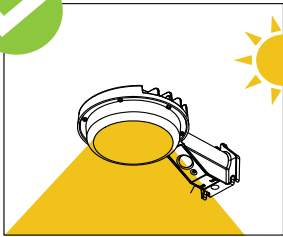


COMMERCIAL & RESIDENTIAL OUTDOOR

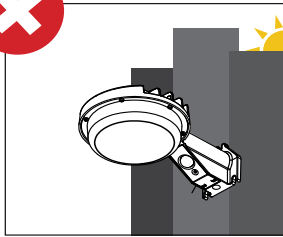
- Garages
- Carports
- Driveways
- Loading Bays
- Warehouses
- Apartment Complexes
- Hotels
- Offices
- General Security Lighting

Or anywhere where trenching wire is cost prohibited.
Put light anywhere simply and easily with Solar Power!

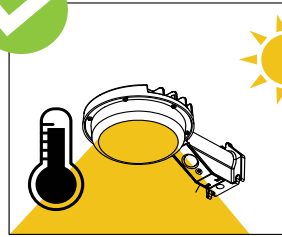
MOUNTING LOCATION BEST PRACTICES



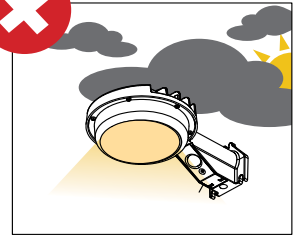
Most hours of direct sunlight, unblocked by trees or buildings



Limited or no direct sunlight, shaded or blocked by trees or buildings



Warmer location with predominant sunshine = Maximum performance



Cold location with consecutive cloud covered days = Possible inconsistent performance

PRODUCT FEATURE HIGHLIGHTS

ALL IN 1 DESIGN WITH REMOTE CONTROL



MULTIPLE WAYS TO MOUNT



WALL MOUNT

Mount light fixture to wall using included lag screws



POLE MOUNT

Pole Mount (pole sold separately) by using included hardware

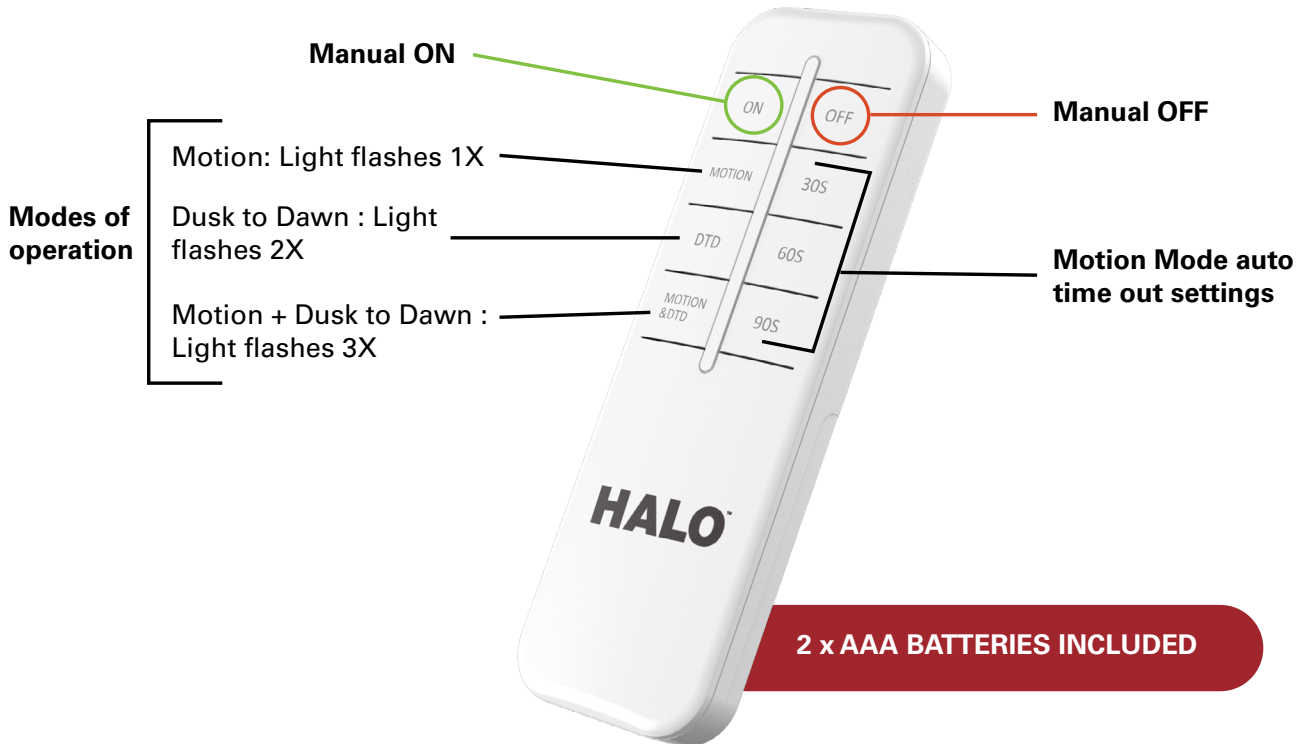
PRODUCT FEATURE HIGHLIGHTS (CONTINUATION)

INTEGRATED MOTION SENSOR



Fixture can be mounted 15' and motion sensor has a detection angle(range) of 120 Degrees and can detect people up to 25' away.

REMOTE CONTROL SETTINGS



MODES OF OPERATION

 **After sun down**
Fixture turns on

 **At sunrise**
Fixture turns off

DUSK to DAWN MODE



MOTION ACTIVATED MODE



DUSK to DAWN + MOTION ACTIVATED MODE



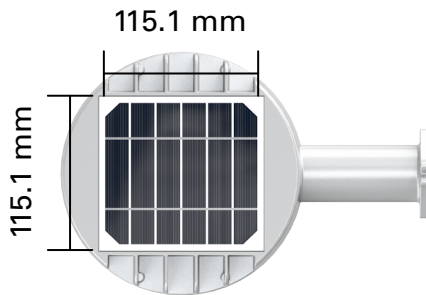
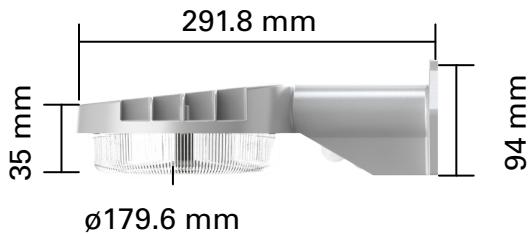
| Catalog Number | Initial Lumen Output | Operation Mode | Lumens in Motion Mode | Lumens in D2D Mode | Initial Lumen | Runtime | Final Lumen |
|----------------|----------------------|----------------|-----------------------|--------------------|---------------|---------------|-------------|
| SBL10A50GY | 1000LM | Motion | 1000 | NA | 1000 | 90 Min | 500 |
| | | Motion + D2D | 300 (30 Min) | 80 | 80 | 11 Hrs 30 Min | 0 |
| | | D2D | NA | 120 | 120 | 12 hrs | 0 |
| SBL15A50GY | 1500LM | Motion | 1500 | NA | 1500 | 90 Min | 750 |
| | | Motion + D2D | 450 (30 Mins) | 120 | 120 | 11 Hrs 30 Min | 0 |
| | | D2D | NA | 180 | 180 | 12 hrs | 0 |
| SBL30A50GY | 3000LM | Motion | 3000 | NA | 3000 | 90 Min | 1500 |
| | | Motion + D2D | 900 (30 Mins) | 240 | 240 | 11 Hrs 30 Min | 0 |
| | | D2D | NA | 360 | 360 | 12 hrs | 0 |

ORDER INFORMATION

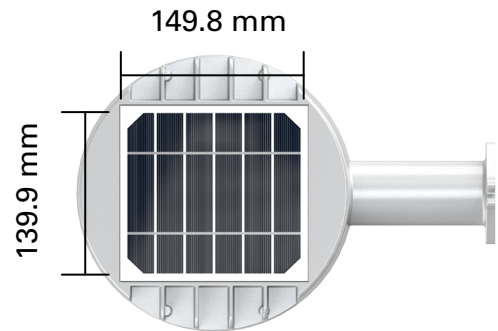
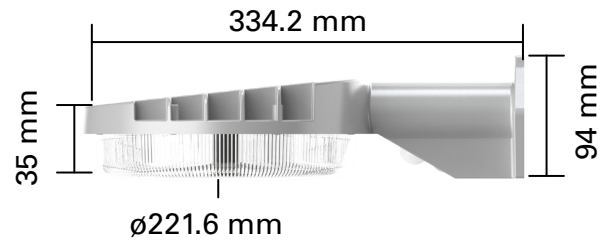
| Catalog Number | Description | Material No. | UPC | Case Qty | Case Dimensions (in.) | | | Weight (lbs) |
|----------------|--|--------------|--------------|----------|-----------------------|-----|------|--------------|
| | | | | | L | W | H | |
| SBL10A50GY | SOLAR BARN LIGHT,1000LM,5000K,MTN+D2D,GY | 13604691 | 080083260461 | 2 | 7.2 | 3.7 | 11.6 | 2.0 |
| SBL15A50GY | SOLAR BARN LIGHT,1500LM,5000K,MTN+D2D,GY | 13604692 | 080083260485 | 2 | 8.9 | 3.8 | 13.4 | 2.8 |
| SBL30A50GY | SOLAR BARN LIGHT,3000LM,5000K,MTN+D2D,GY | 13604693 | 080083260508 | 2 | 11.3 | 3.8 | 15.8 | 4.1 |

PRODUCT DIMENSIONS

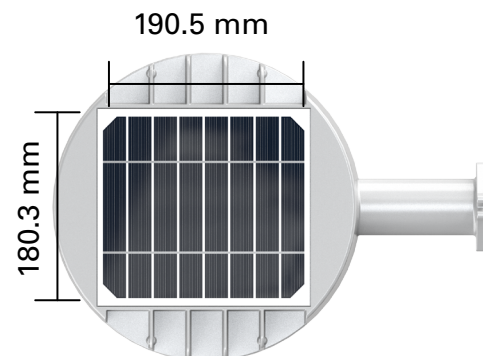
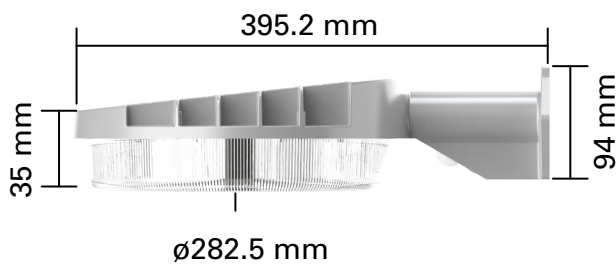
SBL10A50GY



SBL15A50GY



SBL30A50GY



PRODUCT SPECIFICATIONS

Construction

- Robust Die-Cast housing.
- Housing suitable for wet locations and is resistant to harsh outdoor conditions.
- All-in-one design that includes fixture housing, solar panel, battery, remote and LED light source
- UV & impact resistant prismatic drop lens provides diffuse and wide light distribution
- Powder coated textured gray finish.
- LED indicator light provides battery charging & discharging status

Controls

- 3 different operating modes configurable with included RF Remote control and also including standard On/Off functionality.
 - Motion Mode
 - Dusk to Dawn Mode
 - Motion + Dusk to Dawn Mode
- Auto Time Out settings of 30S, 60S & 90S when using a motion mode before light turns off
- Dimming levels determined by selected mode of operation.
- Remote Control Range: 20ft-25ft

Motion Sensor

- Passive Infrared motion sensor with a 120° detection range.
- Maximum detection distance of 25'.

Mounting

- Wall mount using included (3) lag screws and washers.
- Pole mount to any standard 2" curved pole (sold separately)
- Mounting hardware included in packaging.

Electrical

- 5000K bright cool white light is optimal for security lighting .
- Maintenance - free LEDs with estimated 50,000 hours lifespan based on LM-80 results and TM-21 calculations.
- Rated for ambient operating temperature range from -4°F (-20°C) to 104°F (40°C)
- CRI >70

Compliance

- UL certified for USA and Canada for wet locations.
- Contains no mercury or lead - RoHS compliant (RoHS 2.0)
- UL Wet location
- UN38.3 transportation certified

Battery

- Total battery capacity of 90 minutes if run continuously at full brightness.
- Battery recharge time of 8 hours in full direct sunlight
- Batteries are not removable or replaceable.

Warranty

- One year limited warranty, consult website for details. www.cooperlighting.com

OPTIONAL ACCESSORIES (SOLD SEPARATELY)



SBL-RC
Solar Barn Light,
Remote Control

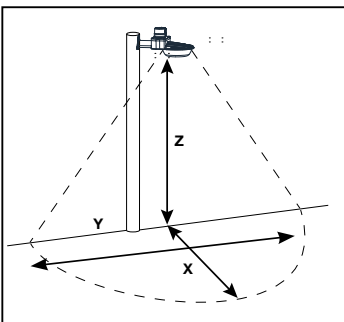


EA24
24in Mounting
Arm for Area
Lights

PHOTOMETRIC DATA

| Catalog Number | CCT | Watta | Initial Lumens | CRI |
|----------------|-------|-------|----------------|------|
| SBL10A50GY | 5000K | 7W | 1000 | 73.0 |
| SBL15A50GY | 5000K | 11.5W | 1500 | 73.0 |
| SBL30A50GY | 5000K | 15W | 3000 | 73.0 |

SUGGESTED MOUNTING HEIGHT



| Minimum Footcandles (FC) | | 0.50 FC | | | | | | | |
|--------------------------|--------|---------|----|-----|----|-----|----|-----|----|
| Mounting Height (Z) | | 8' | | 10' | | 15' | | 20' | |
| Catalog Number | Lumens | X | Y | X | Y | X | Y | X | Y |
| SBL10A50GY | 1000 | NA | NA | NA | NA | NA | NA | NA | NA |
| SBL15A50GY | 1500 | 13 | 26 | 15 | 29 | 16 | 31 | / | / |
| SBL30A50GY | 3000 | 16 | 33 | 18 | 35 | 21 | 42 | / | / |

X = Forward Throw
Y = Wall Spread
Z = Mounting Heights

Notes:
Forward throw X = 1/2 Y for wall-mount applications only
See IES files for detailed photometry