



Cutler-Hammer

EG-Frame Circuit Breaker 15 – 160 Amperes

Technical Data TD01202006E

Effective October 2006
Supersedes MZ01202001E,
dated March 2002



Product Description

- All Eaton's Cutler-Hammer® EG-Frame circuit breakers are HACR rated.
- All EG-Frame thermal-magnetic circuit breakers 10 through 50 amperes are suitable for HID (high intensity discharge) use.
- All EG-Frame circuit breakers are suitable for reverse feed use.

TABLE 1. FRAME TRIP RATINGS

FRAME	AMPERE RATING ①
EGB	15 – 160
EGE	15 – 160
EGS	15 – 160
EGH	15 – 160
EGC	15 – 160

① 160 amperes is not a UL® listed rating. IEC only.

TABLE 2. UL 489/IEC 60947-2 INTERRUPTING CAPACITY RATINGS

CIRCUIT BREAKER TYPE	NUMBER OF POLES	TYPE OF TRIP ①	INTERRUPTING CAPACITY (SYMMETRICAL AMPERES)																
			VOLTS AC (50/60 HZ)											VOLTS DC ②					
			220 – 240			347		380 – 415			480	600Y/347	690 ③		125		250 ④⑤		
			120	I _{CU}	I _{CS}	277	I _{CU}	I _{CS}	I _{CU}	I _{CS}			I _{CU}	I _{CS}	I _{CU}	I _{CS}	I _{CU}	I _{CS}	I _{CU}
EGB	1 2, 3, 4	T/M N.I.T.	35 —	25 25	25 25	18 —	— —	— —	— —	18 18	18 18	— —	— —	— —	10 10	10 10	— —	10 10	
EGE	2, 3, 4	T/M N.I.T.	—	35	35	—	—	—	—	25	25	25	18	3	3	—	—	10	10
EGS	1 2, 3, 4	T/M N.I.T.	100 —	85 85	43 43	35 —	22 —	22 —	— —	40 30	35 35	— 22	— 4	— 3	35 —	35 —	— 35	— 35	
EGH	1 2, 3, 4	T/M N.I.T.	200 —	100 100	50 50	65 —	25 —	25 —	— —	70 35	65 65	— 25	— 6	— 3	42 —	42 —	— 42	— 42	
EGC	3, 4	T/M N.I.T.	—	200	200	—	—	—	—	100	100	100	35	8	6	—	—	42	42

- ① T/M is thermal-magnetic N.I.T. is non-interchangeable trip unit.
- ② dc ratings apply to substantially non-inductive circuits.
- ③ IEC only.
- ④ 2-pole circuit breaker, or two poles of 3-pole circuit breaker.
- ⑤ Time constant is 3 milliseconds minimum at 10 kA and 8 milliseconds minimum at 42 kA.

TABLE 3. LINE AND LOAD TERMINALS

MAXIMUM BREAKER AMPERES	TERMINAL BODY MATERIAL	WIRE TYPE	AWG WIRE RANGE	METRIC WIRE RANGE (MM ²)	CATALOG NUMBER (PACKAGE OF 3 TERMINALS)
Standard Pressure Type Terminals					
125	Steel	Cu	#14 – 3/0	2.5 – 9.5	3T125EF ⑥
125	Aluminum	Cu/Al	#14 – 1/0	2.5 – 50	3TA125EF
125	Aluminum	Cu/Al	#6 – 3/0	16 – 70	3TA150EF
160	Aluminum	Cu/Al	#3 – 250	35 – 120	3TA160EFK
160	Aluminum	Cu/Al	#3 – 250	35 – 120	4TA160EFK

⑥ Standard line and load terminals.

TABLE 4. APPROXIMATE SHIPPING WEIGHT IN LBS. (KG)

CIRCUIT BREAKER TYPE	NUMBER OF POLES			
	1	2	3	4
EGB, EGE, EGS, EGH, EGC	1.50 (0.68)	2.00 (0.91)	3.00 (1.36)	4.9 (1.82)

TABLE 5. DIMENSIONS IN INCHES (MM)

DIMENSIONS	NUMBER OF POLES			
	1	2	3	4
Height	5.50 (139.7)	5.50 (139.7)	5.50 (139.7)	5.50 (139.7)
Width	1.00 (25.4)	2.00 (50.8)	3.00 (76.2)	4.00 (101.6)
Depth	2.99 (75.9)	2.99 (75.9)	2.99 (75.9)	2.99 (75.9)

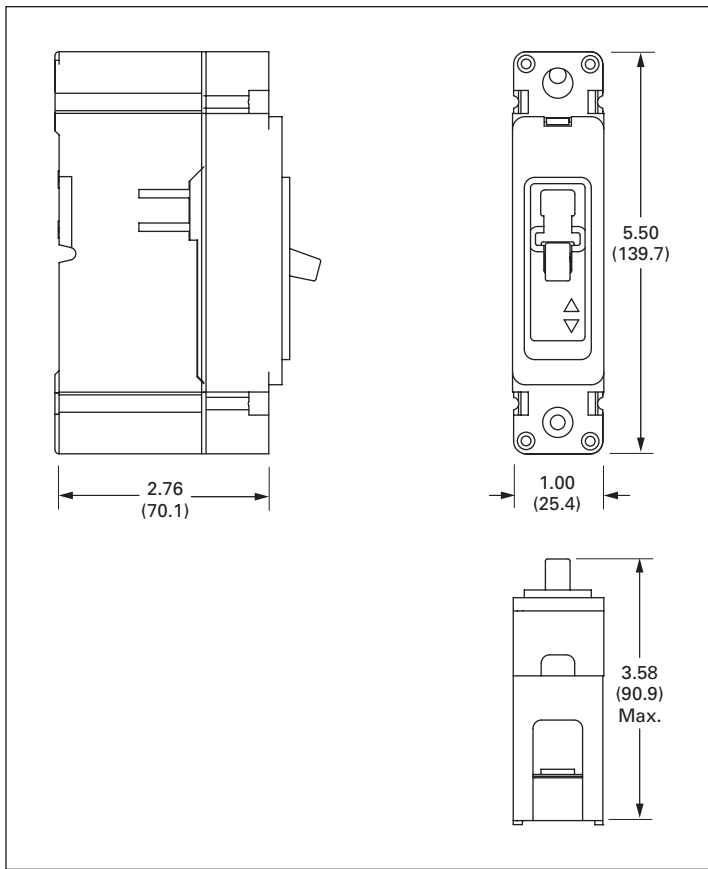


FIGURE 1. 1-POLE EG-FRAME BREAKER — DIMENSIONS IN INCHES (MM)

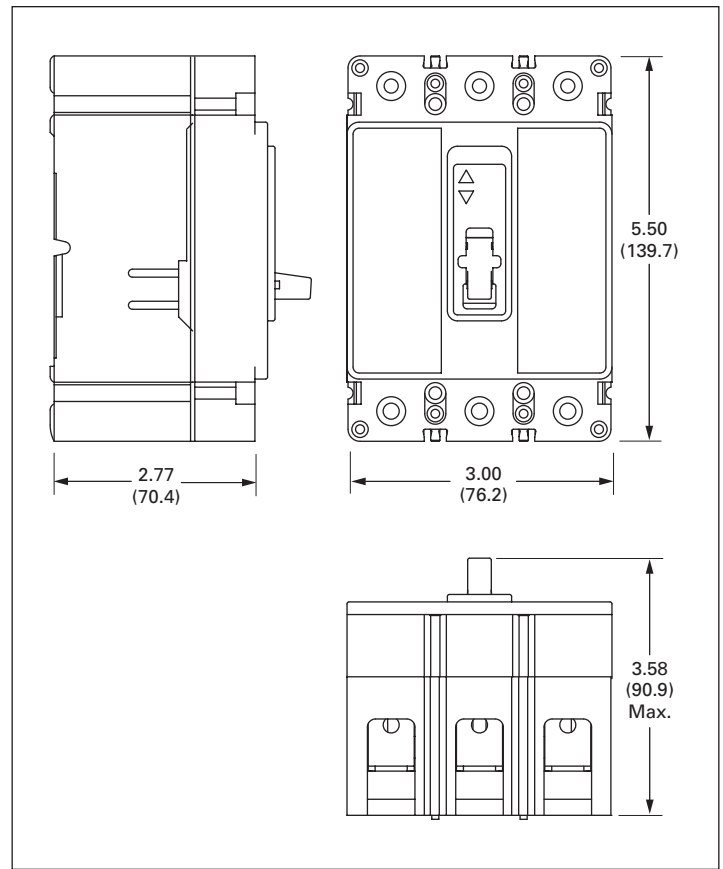


FIGURE 3. 3-POLE EG-FRAME BREAKER — DIMENSIONS IN INCHES (MM)

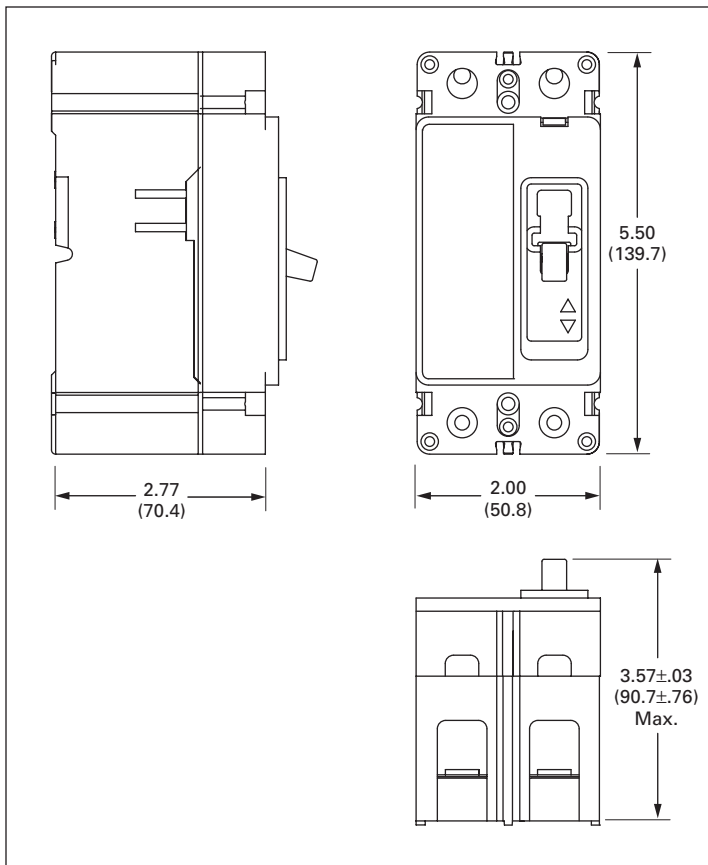


FIGURE 2. 2-POLE EG-FRAME BREAKER — DIMENSIONS IN INCHES (MM)

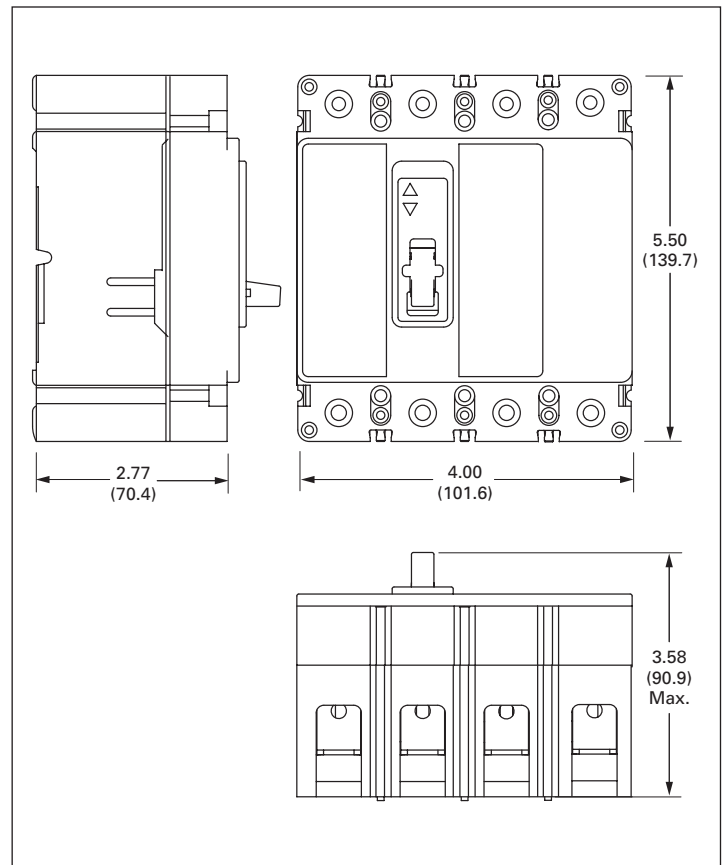


FIGURE 4. 4-POLE EG-FRAME BREAKER — DIMENSIONS IN INCHES (MM)

Note: For curves and additional technical information, please visit our Web site at www.EatonElectrical.com.

Type EG 1-Pole Outline

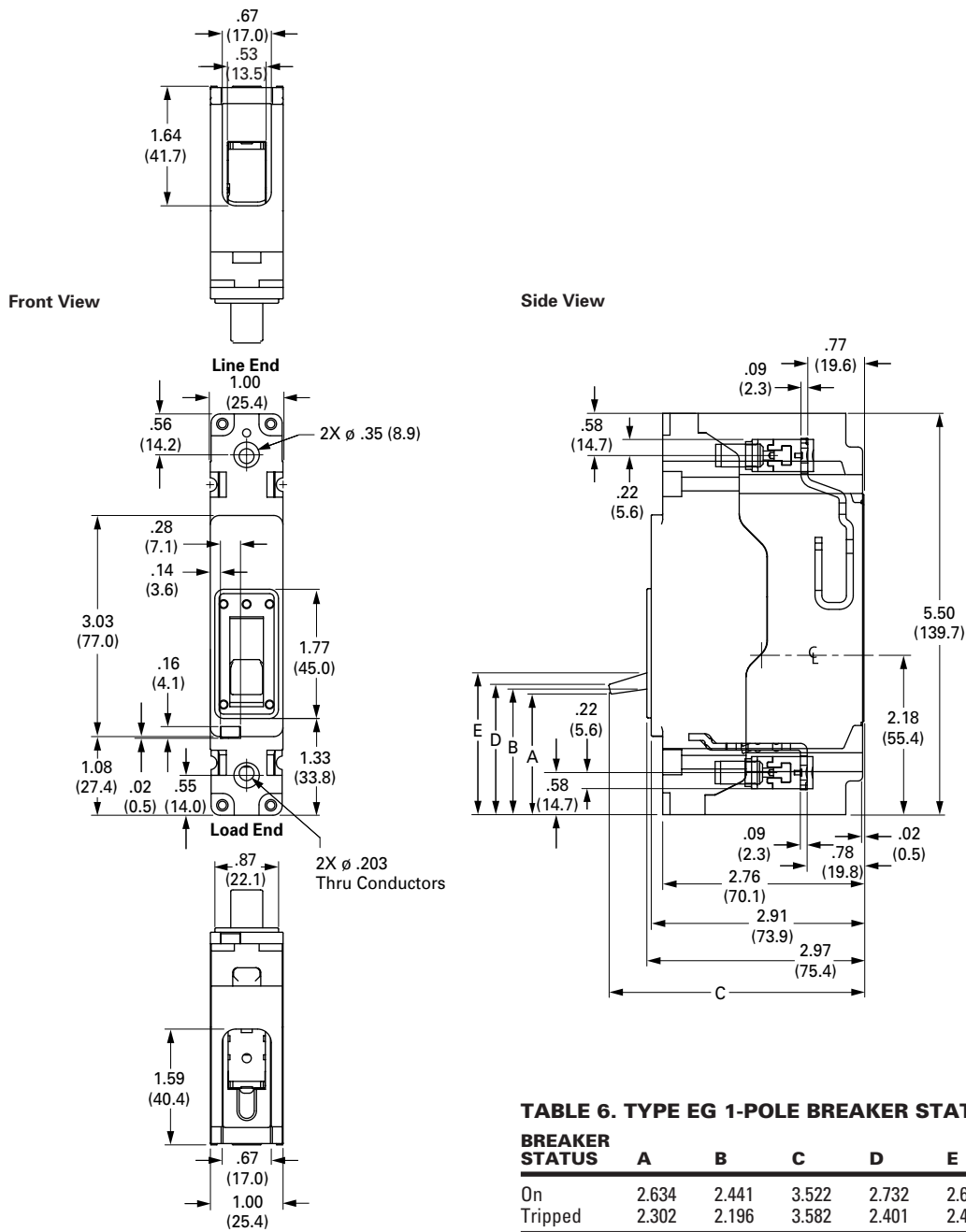


FIGURE 5. FRONT, SIDE, TOP AND BOTTOM VIEWS

Type EG 2-Pole Outline

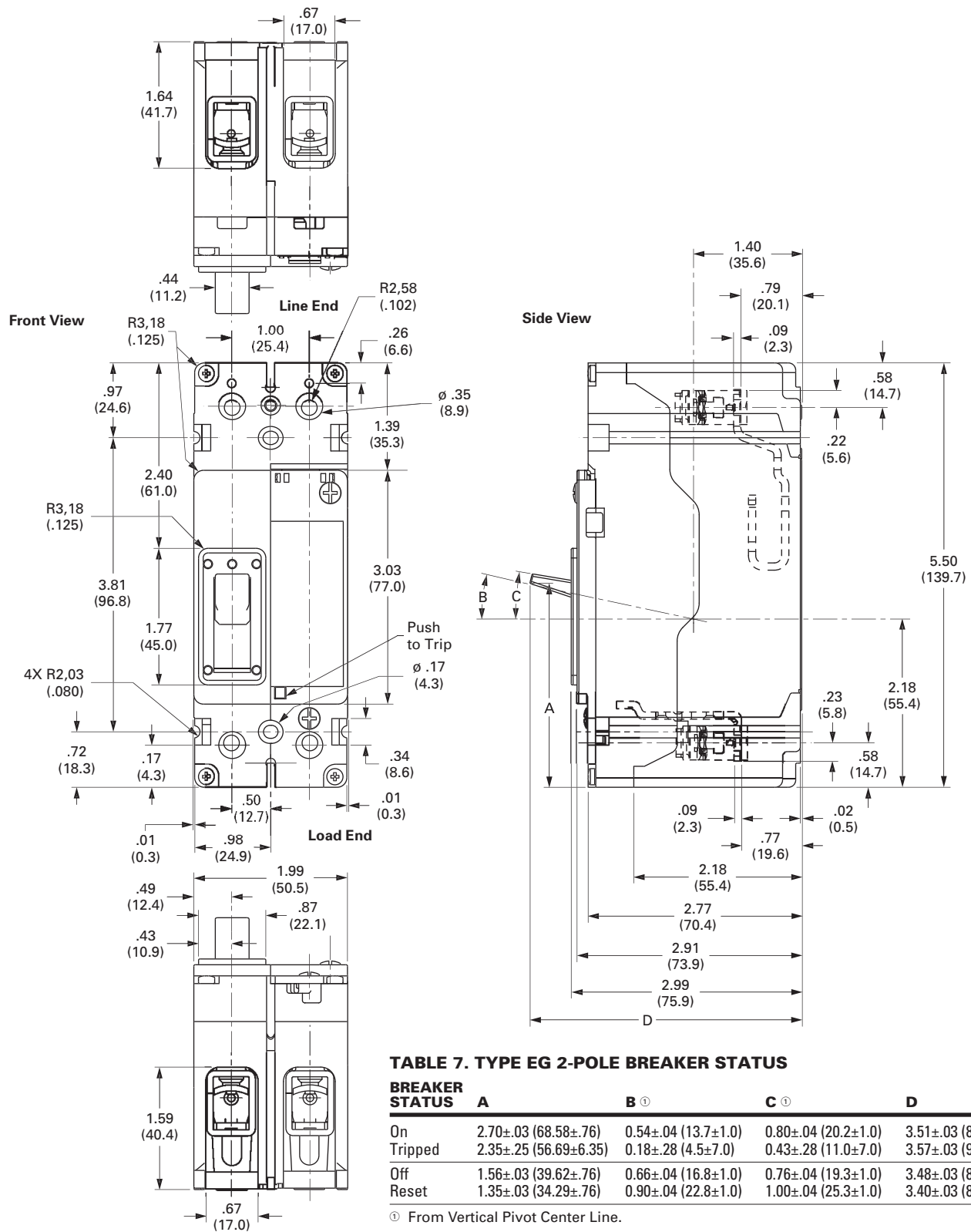


FIGURE 6. SIDE AND BACK VIEWS

Type EG 2-Pole Outline (Continued)

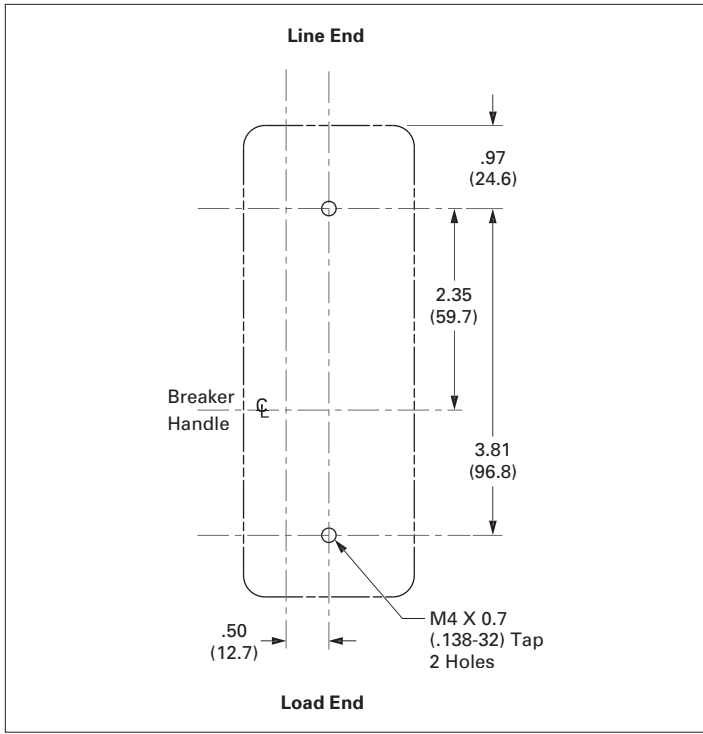


FIGURE 7. FRONT CONNECTED DRILL PLAN

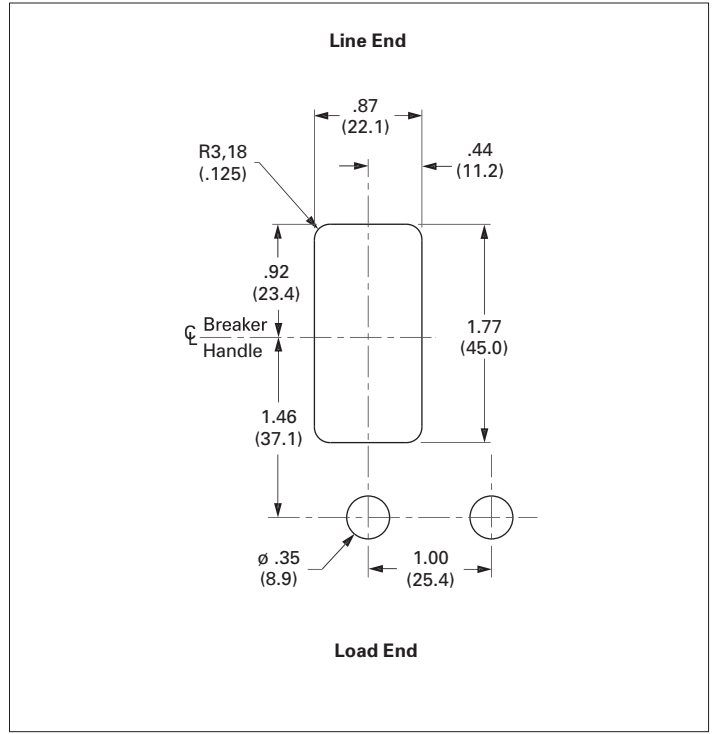


FIGURE 8. FRONT COVER CUTOUT

Type EG 3-Pole Outline

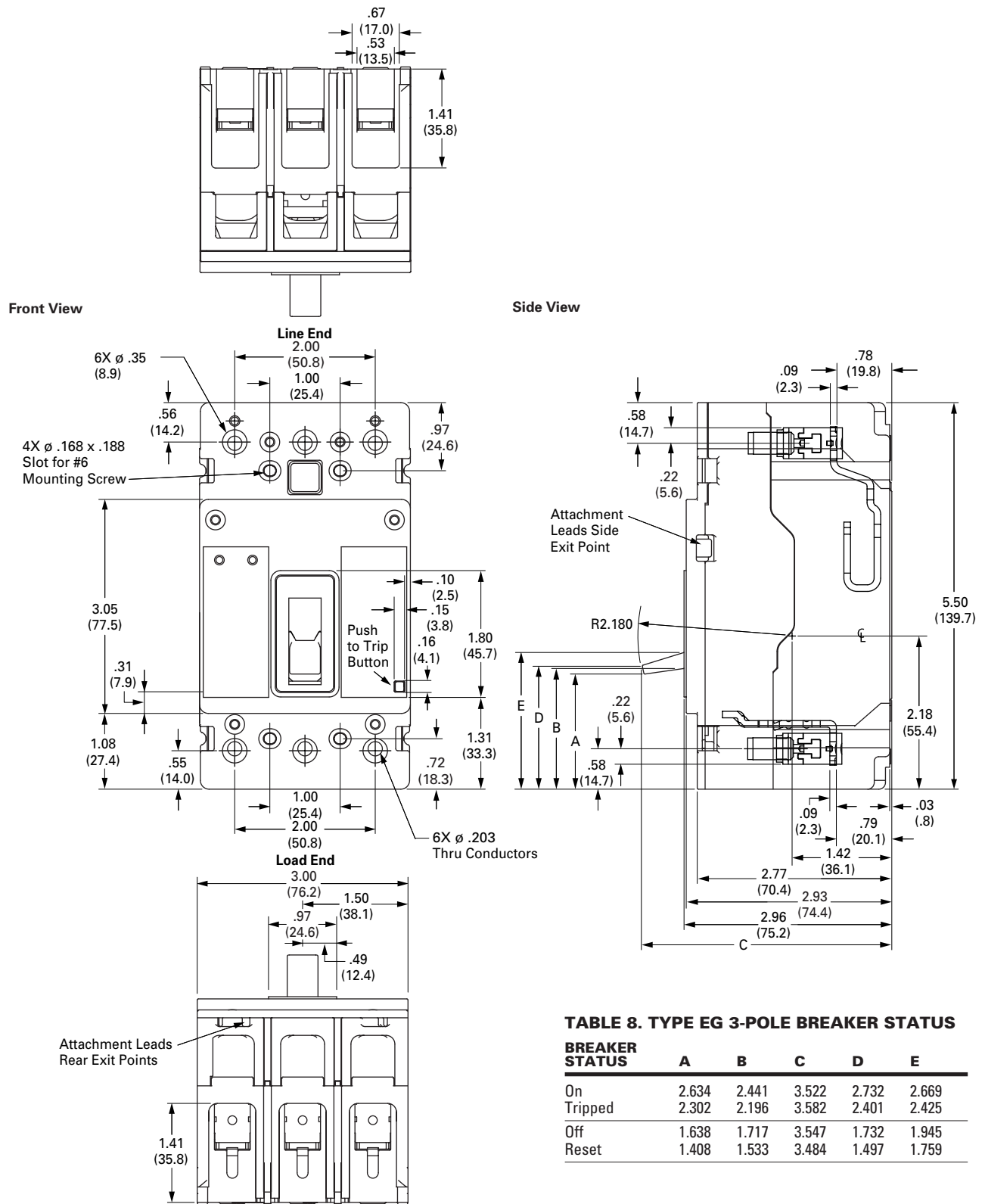


TABLE 8. TYPE EG 3-POLE BREAKER STATUS

BREAKER STATUS	A	B	C	D	E
On	2.634	2.441	3.522	2.732	2.669
Tripped	2.302	2.196	3.582	2.401	2.425
Off	1.638	1.717	3.547	1.732	1.945
Reset	1.408	1.533	3.484	1.497	1.759

FIGURE 9. FRONT, SIDE, TOP AND BOTTOM VIEWS

Type EG 3-Pole Outline (Continued)

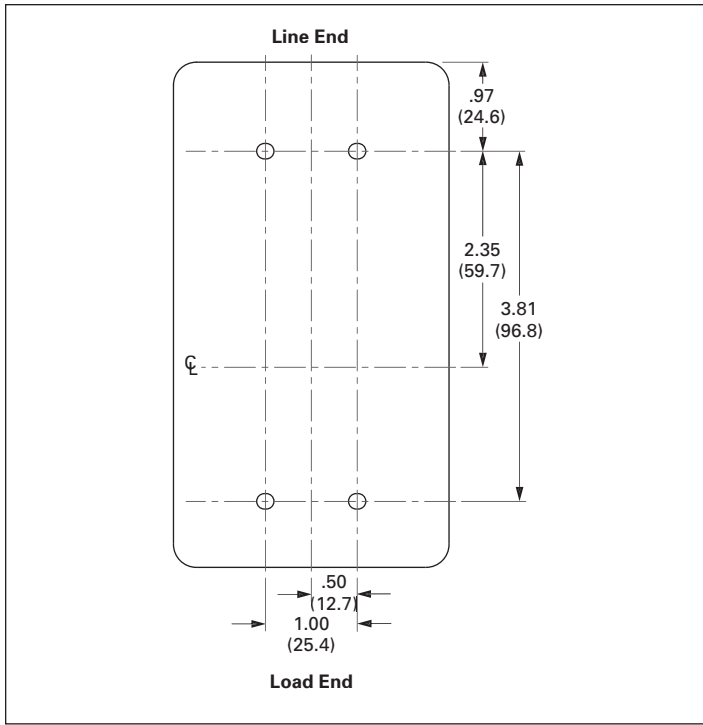


FIGURE 10. FRONT CONNECTED DRILL PLAN

Type EG 4-Pole Outline

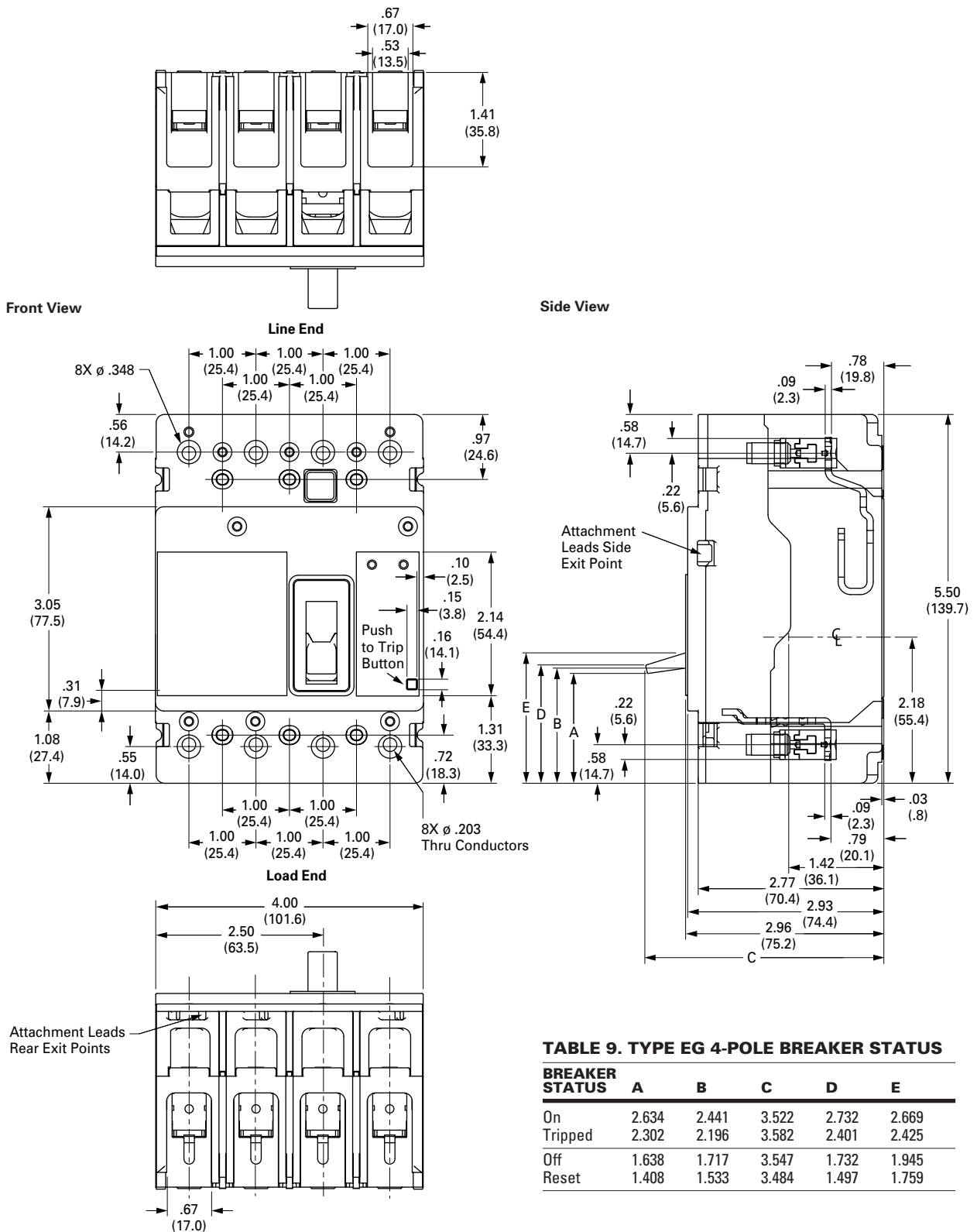


TABLE 9. TYPE EG 4-POLE BREAKER STATUS

BREAKER STATUS	A	B	C	D	E
On	2.634	2.441	3.522	2.732	2.669
Tripped	2.302	2.196	3.582	2.401	2.425
Off	1.638	1.717	3.547	1.732	1.945
Reset	1.408	1.533	3.484	1.497	1.759

FIGURE 11. FRONT, SIDE, TOP AND BOTTOM VIEWS

Type EG 4-Pole Outline (Continued)

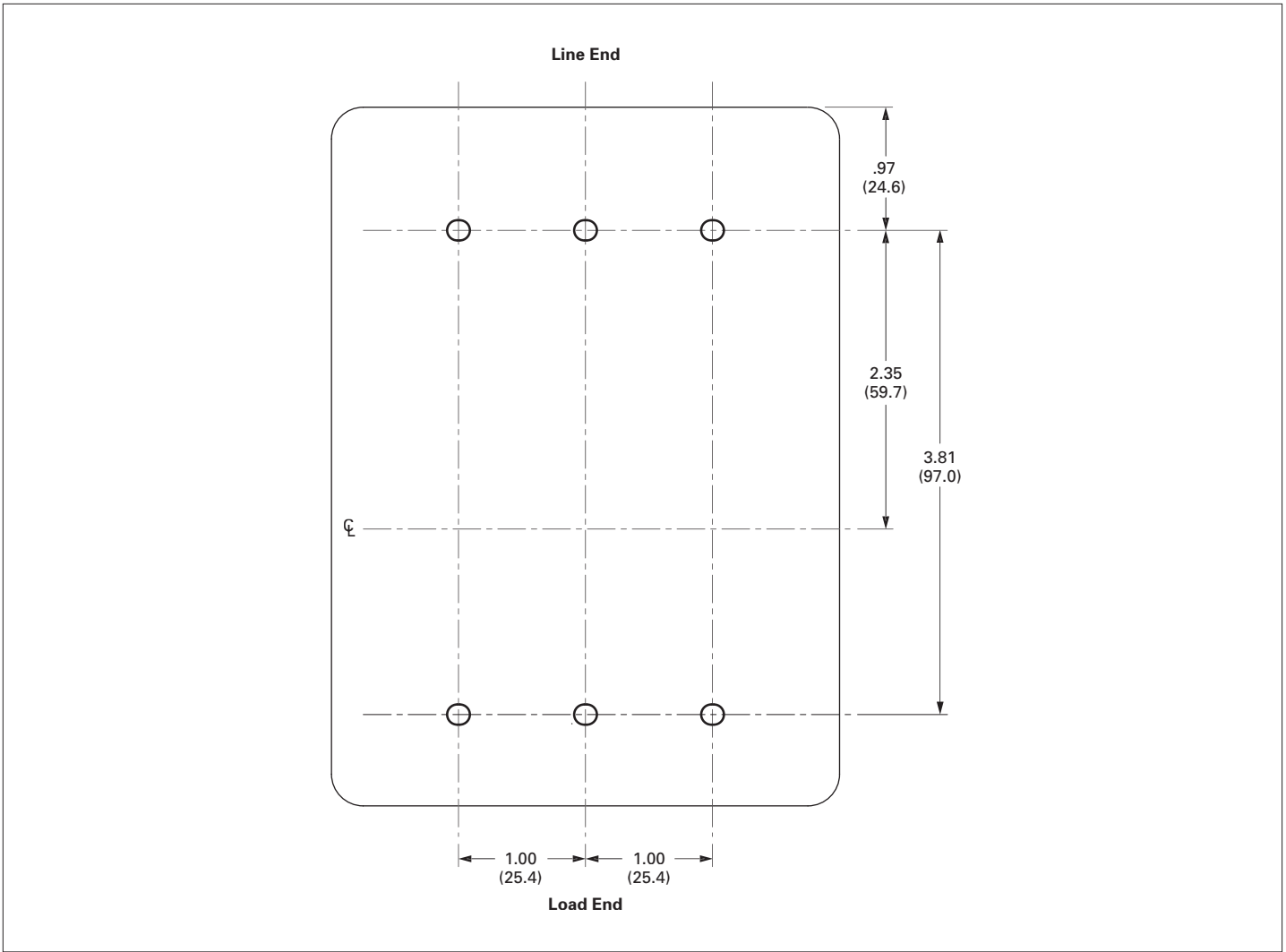


FIGURE 12. FRONT CONNECTED DRILL PLAN

UL is a registered trademark of Underwriters Laboratories Inc.

This page intentionally left blank.

Eaton Electrical Inc.
1000 Cherrington Parkway
Moon Township, PA 15108-4312
United States
tel: 1-800-525-2000
www.EatonElectrical.com



Cutler-Hammer

© 2006 Eaton Corporation
All Rights Reserved
Printed in USA
Publication No. TD01202006E / Z4802
October 2006