

FEATURES & SPECIFICATIONS

INTENDED USE — Provides a minimum of 90 minutes of illumination for the rated wattage upon loss of AC power. Ideal for applications requiring attractive unit equipment with quick installation.

CONSTRUCTION — White, compact, low-profile contemporary design. Engineering-grade thermoplastic housing is impact-resistant, scratch-resistant and corrosion-proof. UL94V-0 flame rating. UV-stable resin resists discoloration from natural and man-made light sources.

OPTICS — Two 5.4W wedge-based krypton lamps offer 32 percent more light output than standard incandescent lamps.

Patented, MR24, multi-faceted reflector significantly improves photometric performance – 60 to 100 percent more light delivered to path of egress.

U.S. Patent No. D484,272

Low-profile, integrated test switch/pilot light. Easily visible bright red status indicator.

ELECTRICAL — Current-limiting charger maximizes battery life and minimizes energy consumption. Provides low operating costs.

Short-circuit protection – current-limiting charger circuitry protects printed circuit board from shorts.

Dual-voltage input capability (120/277V). Edge connectors on printed circuit board ensure long-term durability.

Thermal protection senses circuitry temperature and adjusts charge current to prevent overheating and charger failure.

Thermal compensation adjusts charger output to provide optimum charge voltage relative to ambient temperature.

Battery: Sealed, maintenance-free lead acid (SLA) provides 12W rated capacity. Automatic 48-hour recharge after a 90-minute discharge. Low-voltage disconnect prevents excessively deep discharge that can permanently damage the battery. Single-circuit battery connection.

Regulated charge voltage maintains constant-charge voltage over a wide range of line voltages. Prevents over/under charging that shortens battery life and reduces capacity.

Filtered charger input minimizes charge voltage ripple and extends battery life.

AC/LVD reset allows battery connection before AC power is applied and prevents battery damage from deep discharge

Brownout protection is automatically switched to emergency mode when supply voltage drops below 80 percent of nominal.

INSTALLATION — Unique track-and-swivel arrangement permits full range of direction of lamp head adjustment. Universal J-box mounting pattern. Tool-less access for maintenance. Flexible conduit entry provision on top of the unit. Ceiling mount standard. **US Patent No. D473,627.**

LISTINGS — Meets UL924, NFPA 101 (current Life Safety Code), NEC and OSHA illumination standards. Meets all applicable FCC requirements.

WARRANTY — 3-year limited warranty. Complete warranty terms located at: www.acuitybrands.com/CustomerResources/Terms_and_conditions.aspx

Note: Actual performance may differ as a result of end-user environment and application.

Specifications subject to change without notice.

Catalog Number
Notes
Type



Thermoplastic Emergency Light

ELM2

Lead-acid (SLA) Battery



ORDERING INFORMATION

For shortest lead times, configure product using **standard options (shown in bold)**.

Example: ELM2

ELM2
Family
ELM2

<i>Accessories²: Order as separate item.</i>	
ELA VS	Thermoplastic vandal shield ¹
ELA WG1	Wireguard, 15"W x 13-1/2"H x 6"D ²

Notes

- 1 See spec sheet [ELA-RTL-MS-VS2](#).
- 2 See spec sheet [ELA-WG](#).

ELM2 Quantum[®] Thermoplastic Emergency Light

SPECIFICATIONS

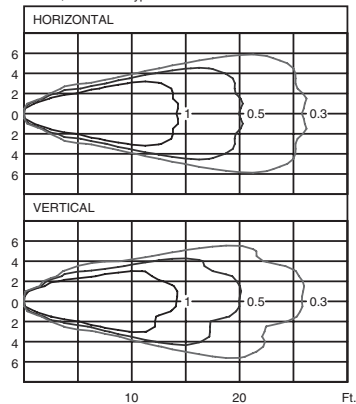
ELECTRICAL							
Primary Circuit							
Type	Volts	Input Amps	Watts	Output volts	1-1/2 hrs.	2hrs.	
ELM2	120	.11	1.2	6	12	9	
	277	.12	1.5				

BATTERY				
Sealed Lead Acid (SLA) <small>*with lead calcium alloy grids</small>				
Voltage	Typical Shelf life ¹	Typical life ¹	Maintenance ²	Optimum temperature ³
6	12 months	5 - 7 years	none	60° - 90°F (16° - 32°C)

- At 77°F (25°C).
- All life safety equipment, including emergency lighting for path of egress, must be maintained, serviced and tested in accordance with all National Fire Protection Association (NFPA) and local codes. Failure to perform the required maintenance, service or testing could jeopardize the safety of occupants and will void all warranties.
- Optimum ambient temperature range where unit will provide capacity for 30 to 90 minutes. Higher and lower temperatures affect life and capacity.

LAMP PHOTOMETRICS

LTL10586
MR24 K0606
6-volts, 5.4-watts krypton

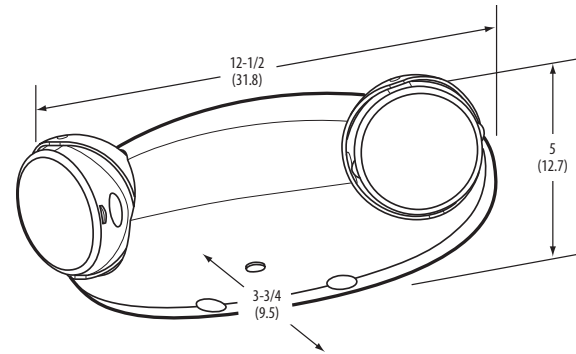


SPACING/COVERAGE GUIDE

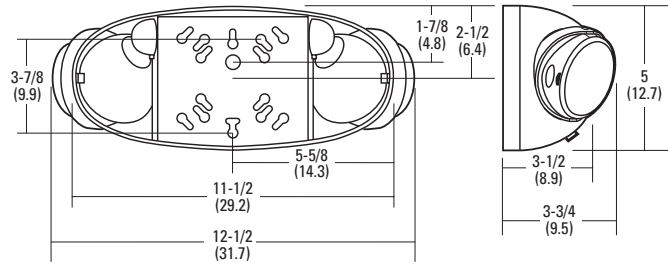
MR24 K0606 Lamp	Path of Egress	
	3'-wide	6'-wide
Center-to-Center Spacing	25'	20'
Single-Unit Coverage	24'	18'

MOUNTING

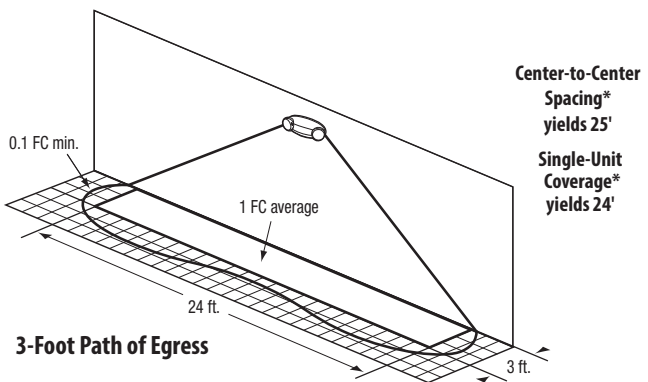
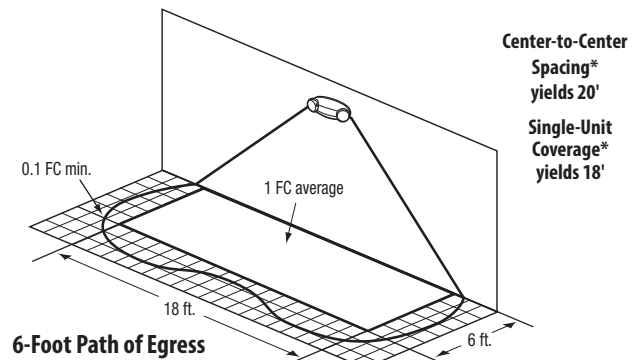
All dimensions are inches (centimeters).
Shipping weight: 4.0 lbs. (1.8 kgs.).



Mounting Plate



FIXTURE PERFORMANCE



* Meets Life Safety Code standard minimum illuminance of 0.1 FC and average illuminance of 1.0 FC. Assumes open space with no obstructions, mounting height: 7.5'; ceiling height: 9'; and reflectances: 80/50/20. Analysis based on independently tested photometrics.