



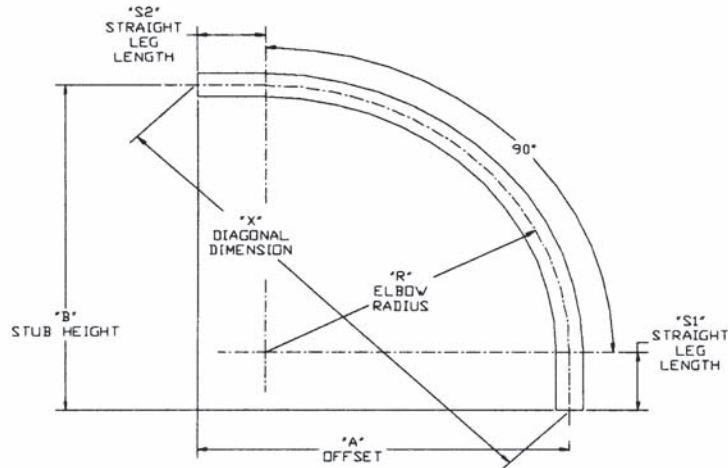
EMT SPECIAL RADIUS ELBOWS

EMT SPECIAL RADIUS ELBOWS

All E.M.T. special radius elbows are noncancelable and nonreturnable.

CATALOG NUMBER	DESCRIPTION	APP WEIGHT (lbs)	STANDARD CARTON
EMTELB1-1/2X90X18	1 1/2X90X18 EMT ELBOW	4	BLK
EMTELB2X90X18	2X90X18 EMT ELBOW	6	BLK
EMTELB2-1/2X90X18	2 1/2X90X18 EMT ELBOW	9	BLK
EMTELB3-1/2X90X18	3 1/2X90X18 EMT ELBOW	14	BLK
EMTELB1-1/2X45X18	1 1/2X45X18 EMT ELBOW	3	BLK
EMTELB2X45X18	2X45X18 EMT ELBOW	5	BLK
EMTELB2-1/2X45X18	2 1/2X45X18 EMT ELBOW	5	BLK
EMTELB3-1/2X45X18	3 1/2X45X18 EMT ELBOW	10	BLK
EMTELB1-1/2X60X18	1 1/2X60X18 EMT ELBOW	4	BLK
EMTELB2X60X18	2X60X18 EMT ELBOW	5	BLK
EMTELB2-1/2X60X18	2 1/2X60X18 EMT ELBOW	9	BLK
EMTELB3-1/2X60X18	3 1/2X60X18 EMT ELBOW	14	BLK
EMTELB1-1/2X30X18	1 1/2X30X18 EMT ELBOW	3	BLK
EMTELB2X30X18	2X30X18 EMT ELBOW	5	BLK
EMTELB2-1/2X30X18	2 1/2X30X18 EMT ELBOW	5	BLK
EMTELB3-1/2X30X18	3 1/2X30X18 EMT ELBOW	10	BLK
EMTELB4X90X24	4X90X24 EMT ELBOW	17	BLK
EMTELB4X45X24	4X45X24 EMT ELBOW	14	BLK
EMTELB4X60X24	4X60X24 EMT ELBOW	15	BLK
EMTELB4X30X24	4X30X24 EMT ELBOW	14	BLK
EMTELB2X90X36	2X90X36 EMT ELBOW	9	BLK
EMTELB3X90X36	3X90X36 EMT ELBOW	16	BLK
EMTELB4X90X36	4X90X36 EMT ELBOW	24	BLK
EMTELB2X45X36	2X45X36 EMT ELBOW	8	BLK
EMTELB3X45X36	3X45X36 EMT ELBOW	14	BLK
EMTELB4X45X36	4X45X36 EMT ELBOW	20	BLK
EMTELB2X60X36	2X60X36 EMT ELBOW	8	BLK
EMTELB3X60X36	3X60X36 EMT ELBOW	14	BLK
EMTELB4X60X36	4X60X36 EMT ELBOW	22	BLK
EMTELB2X30X36	2X30X36 EMT ELBOW	7	BLK
EMTELB3X30X36	3X30X36 EMT ELBOW	13	BLK
EMTELB4X30X36	4X30X36 EMT ELBOW	19	BLK
EMTELB4X90X48	4X90X48 EMT ELBOW	31	BLK
EMTELB4X45X48	4X45X48 EMT ELBOW	26	BLK
EMTELB4X60X48	4X60X48 EMT ELBOW	28	BLK
EMTELB4X30X48	4X30X48 EMT ELBOW	25	BLK

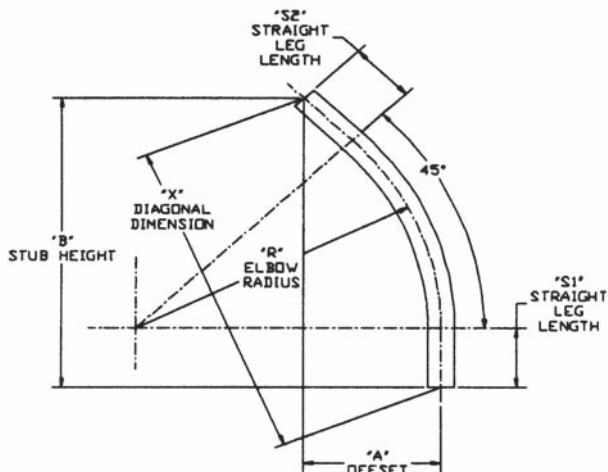
EMT SPECIAL RADIUS ELBOWS • 90 DEGREES



EMT SPECIAL RADIUS ELBOWS • 90 DEGREES

SIZE	RADIUS	12	15	18	24	30	36	42	48	60	
1	Leg Length	8 9/16		9 7/8	10 5/8	10 15/16	10 3/4	12	12 5/16		
	Unbent Length	36		48	59	69	78	90	100		
	Diagonal	29 1/8		39 7/16	49	57 7/8	66 1/6	76 3/8	85 5/16		
	"A" Offset	20 9/16		27 7/8	34 5/8	40 15/16	46 3/4	54	60 5/16		
	"B" Stub Height	20 9/16		27 7/8	34 5/8	40 15/16	46 3/4	54	60 5/16		
1 1/4	Leg Length	8 9/16	9 1/4	9 7/8	10 5/8	10 15/16	10 3/4	12	12 5/16		
	Unbent Length	36	42	48	59	69	78	90	100		
	Diagonal	29 1/8	34 1/4	39 7/16	49	57 7/8	66 1/6	76 3/8	85 5/16		
	"A" Offset	20 9/16	24 1/4	27 7/8	34 5/8	40 15/16	46 3/4	54	60 5/16		
	"B" Stub Height	20 9/16	24 1/4	27 7/8	34 5/8	40 15/16	46 3/4	54	60 5/16		
1 1/2	Leg Length	8 9/16	9 1/4	9 7/8	10 5/8	10 15/16	10 3/4	12	12 5/16		
	Unbent Length	36	42	48	59	69	78	90	100		
	Diagonal	29 1/8	34 1/4	39 7/16	49	57 7/8	66 1/6	76 3/8	85 5/16		
	"A" Offset	20 9/16	24 1/4	27 7/8	34 5/8	40 15/16	46 3/4	54	60 5/16		
	"B" Stub Height	20 9/16	24 1/4	27 7/8	34 5/8	40 15/16	46 3/4	54	60 5/16		
2	Leg Length	8 9/16	9 1/4	9 7/8	10 5/8	10 15/16	10 3/4	12	12 5/16		
	Unbent Length	36	42	48	59	69	78	90	100		
	Diagonal	29 1/8	34 1/4	39 7/16	49	57 7/8	66 1/6	76 3/8	85 5/16		
	"A" Offset	20 9/16	24 1/4	27 7/8	34 5/8	40 15/16	46 3/4	54	60 5/16		
	"B" Stub Height	20 9/16	24 1/4	27 7/8	34 5/8	40 15/16	46 3/4	54	60 5/16		
2 1/2	Leg Length	8 9/16	9 1/4	9 7/8	10 5/8	10 15/16	10 3/4	12	12 5/16		
	Unbent Length	36	42	48	59	69	78	90	100		
	Diagonal	29 1/8	34 1/4	39 7/16	49	57 7/8	66 1/6	76 3/8	85 5/16		
	"A" Offset	20 9/16	24 1/4	27 7/8	34 5/8	40 15/16	46 3/4	54	60 5/16		
	"B" Stub Height	20 9/16	24 1/4	27 7/8	34 5/8	40 15/16	46 3/4	54	60 5/16		
3	Leg Length		9 1/4	9 7/8	10 5/8	10 15/16	10 3/4	12	12 5/16		
	Unbent Length		42	48	59	69	78	90	100		
	Diagonal		34 1/4	39 7/16	49	57 7/8	66 1/6	76 3/8	85 5/16		
	"A" Offset		24 1/4	27 7/8	34 5/8	40 15/16	46 3/4	54	60 5/16		
	"B" Stub Height		24 1/4	27 7/8	34 5/8	40 15/16	46 3/4	54	60 5/16		
3 1/2	Leg Length			9 7/8	10 5/8	10 15/16	10 3/4	12	12 5/16		
	Unbent Length			48	59	69	78	90	100		
	Diagonal			39 7/16	49	57 7/8	66 1/6	76 3/8	85 5/16		
	"A" Offset			27 7/8	34 5/8	40 15/16	46 3/4	54	60 5/16		
	"B" Stub Height			27 7/8	34 5/8	40 15/16	46 3/4	54	60 5/16		
4	Leg Length				9 7/8	10 5/8	10 15/16	10 3/4	12	12 5/16	11 7/8
	Unbent Length				48	59	69	78	90	100	118
	Diagonal				39 7/16	49	57 7/8	66 1/6	76 3/8	85 5/16	101 11/16
	"A" Offset				27 7/8	34 5/8	40 15/16	46 3/4	54	60 5/16	71 7/8
	"B" Stub Height				27 7/8	34 5/8	40 15/16	46 3/4	54	60 5/16	71 7/8
5	Leg Length					10 15/16	10 3/4	12	12 5/16	11 7/8	
	Unbent Length					69	78	90	100	118	
	Diagonal					57 7/8	66 1/6	76 3/8	85 5/16	101 11/16	
	"A" Offset					40 15/16	46 3/4	54	60 5/16	71 7/8	
	"B" Stub Height					40 15/16	46 3/4	54	60 5/16	71 7/8	
6	Leg Length						10 3/4	12	12 5/16	11 7/8	
	Unbent Length						78	90	100	118	
	Diagonal						66 1/6	76 3/8	85 5/16	101 11/16	
	"A" Offset						46 3/4	54	60 5/16	71 7/8	
	"B" Stub Height						46 3/4	54	60 5/16	71 7/8	

EMT SPECIAL RADIUS ELBOWS • 45 DEGREES



EMT SPECIAL RADIUS ELBOWS • 45 DEGREES

SIZE	RADIUS	12	15	18	24	30	36	42	48	60
1	Leg Length	9		10	11	11	11	12	12	
	Unbent Length	27 7/16		34 1/8	40 7/8	45 9/16	50 1/4	56 15/16	61 5/8	
	Diagonal	25 13/16		32 1/4	38 3/4	43 5/16	47 7/8	54 1/4	58 7/8	
	"A" Offset	9 7/8		12 5/16	14 13/16	16 9/16	18 5/16	20 3/4	22 1/2	
	"B" Stub Height	23 7/8		29 13/16	35 3/4	40	44 3/16	50 1/8	54 3/8	
1 1/4	Leg Length	9	9	10	11	11	11	12	12	
	Unbent Length	27 7/16	29 3/4	34 1/8	40 7/8	45 9/16	50 1/4	56 15/16	61 5/8	
	Diagonal	25 13/16	28 1/16	32 1/4	38 3/4	43 5/16	47 7/8	54 1/4	58 7/8	
	"A" Offset	9 7/8	10 3/4	12 5/16	14 13/16	16 9/16	18 5/16	20 3/4	22 1/2	
	"B" Stub Height	23 7/8	25 15/16	29 13/16	35 3/4	40	44 3/16	50 1/8	54 3/8	
1 1/2	Leg Length	9	9	10	11	11	11	12	12	
	Unbent Length	27 7/16	29 3/4	34 1/8	40 7/8	45 9/16	50 1/4	56 15/16	61 5/8	
	Diagonal	25 13/16	28 1/16	32 1/4	38 3/4	43 5/16	47 7/8	54 1/4	58 7/8	
	"A" Offset	9 7/8	10 3/4	12 5/16	14 13/16	16 9/16	18 5/16	20 3/4	22 1/2	
	"B" Stub Height	23 7/8	25 15/16	29 13/16	35 3/4	40	44 3/16	50 1/8	54 3/8	
2	Leg Length	9	9	10	11	11	11	12	12	
	Unbent Length	27 7/16	29 3/4	34 1/8	40 7/8	45 9/16	50 1/4	56 15/16	61 5/8	
	Diagonal	25 13/16	28 1/16	32 1/4	38 3/4	43 5/16	47 7/8	54 1/4	58 7/8	
	"A" Offset	9 7/8	10 3/4	12 5/16	14 13/16	16 9/16	18 5/16	20 3/4	22 1/2	
	"B" Stub Height	23 7/8	25 15/16	29 13/16	35 3/4	40	44 3/16	50 1/8	54 3/8	
2 1/2	Leg Length	9	9	10	11	11	11	12	12	
	Unbent Length	27 7/16	29 3/4	34 1/8	40 7/8	45 9/16	50 1/4	56 15/16	61 5/8	
	Diagonal	25 13/16	28 1/16	32 1/4	38 3/4	43 5/16	47 7/8	54 1/4	58 7/8	
	"A" Offset	9 7/8	10 3/4	12 5/16	14 13/16	16 9/16	18 5/16	20 3/4	22 1/2	
	"B" Stub Height	23 7/8	25 15/16	29 13/16	35 3/4	40	44 3/16	50 1/8	54 3/8	
3	Leg Length		9	10	11	11	11	12	12	
	Unbent Length		29 3/4	34 1/8	40 7/8	45 9/16	50 1/4	56 15/16	61 5/8	
	Diagonal		28 1/16	32 1/4	38 3/4	43 5/16	47 7/8	54 1/4	58 7/8	
	"A" Offset		10 3/4	12 5/16	14 13/16	16 9/16	18 5/16	20 3/4	22 1/2	
	"B" Stub Height		25 15/16	29 13/16	35 3/4	40	44 3/16	50 1/8	54 3/8	
3 1/2	Leg Length			10	11	11	11	12	12	
	Unbent Length			34 1/8	40 7/8	45 9/16	50 1/4	56 15/16	61 5/8	
	Diagonal			32 1/4	38 3/4	43 5/16	47 7/8	54 1/4	58 7/8	
	"A" Offset			12 5/16	14 13/16	16 9/16	18 5/16	20 3/4	22 1/2	
	"B" Stub Height			29 13/16	35 3/4	40	44 3/16	50 1/8	54 3/8	
4	Leg Length			10	11	11	11	12	12	12
	Unbent Length			34 1/8	40 7/8	45 9/16	50 1/4	56 15/16	61 5/8	71 1/8
	Diagonal			32 1/4	38 3/4	43 5/16	47 7/8	54 1/4	58 7/8	68 1/8
	"A" Offset			12 5/16	14 13/16	16 9/16	18 5/16	20 3/4	22 1/2	26 1/16
	"B" Stub Height			29 13/16	35 3/4	40	44 3/16	50 1/8	54 3/8	62 15/16
5	Leg Length					11	11	12	12	12
	Unbent Length					45 9/16	50 1/4	56 15/16	61 5/8	71 1/8
	Diagonal					43 5/16	47 7/8	54 1/4	58 7/8	68 1/8
	"A" Offset					16 9/16	18 5/16	20 3/4	22 1/2	26 1/16
	"B" Stub Height					40	44 3/16	50 1/8	54 3/8	62 15/16
6	Leg Length						11	12	12	12
	Unbent Length						50 1/4	56 15/16	61 5/8	71 1/8
	Diagonal						47 7/8	54 1/4	58 7/8	68 1/8
	"A" Offset						18 5/16	20 3/4	22 1/2	26 1/16
	"B" Stub Height						44 3/16	50 1/8	54 3/8	62 15/16