

## DESCRIPTION

Baffle trim for H5, ET/EI500, H570, H571 and H572 series housings. Available with friction spring clips or torsion spring versions.

Catalog #		Type
Project		
Comments		Date
Prepared by		

## SPECIFICATION FEATURES

Torsion springs pull trim tight to ceiling. Gloss white finish provides for easy cleaning and maintenance.

### Lamp Listings - CFL (4-Pin)

H570ICAT	13W DTT, 13W TTT, 4-Pin Compact Fluorescent Lamp
H570RICAT	
H571ICAT	18W DTT, 18W TTT, 4-Pin Compact Fluorescent Lamp
H571RICAT	
H572ICAT	26W DTT, 26W TTT, 4-Pin Compact Fluorescent Lamp
H572RICAT	
H573ICAT1D	
H573RICAT1D	

### Lamp Listings - GU24

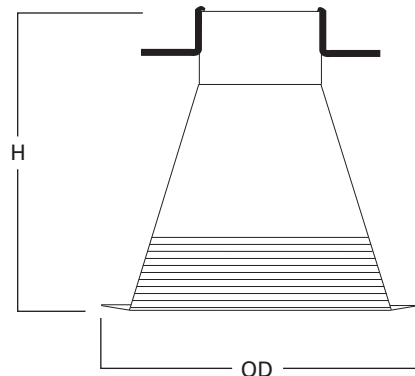
H524ICAT	CF15/R30/GU24
H524ICATL	
H524RICAT	CF13/GU24 (spiral)
H524RICATL	

### Lamp Listings - ERT513 WHT White Baffle

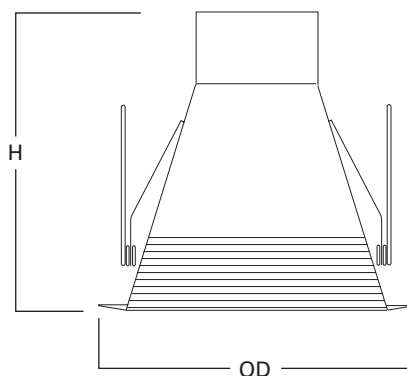
ET500	75W A19, 65W BR30, 75W R30, 75W PAR30L
ET500R	
EI500AT	65W BR30, 75W PAR30L
EI500RAT	

### Lamp Listings - ERT513 Black Baffle

ET500	60W A19, 65W BR30, 75W R30, 75W PAR30L
ET500R	
EI500AT	65W BR30, 50W PAR30L
EI500RAT	



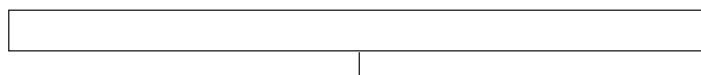
**ERT513**  
Height: 5" [127mm]  
Outside Diameter: 6-3/4" [171mm]



**ERT513TS**  
Height: 5" [127mm]  
Outside Diameter: 6-3/4" [171mm]

## ORDERING INFORMATION

Trim



**ERT513** = 5" Gloss White Trim, Black Metal Baffle  
**ERT513WHT** = 5" Gloss White Trim, White Metal Baffle  
**ERT513TS** = 5" Gloss White Trim, Black Metal Baffle and Torsion Springs  
**ERT513WHTTS** = 5" Gloss White Trim, White Metal Baffle and Torsion Springs



**ERT513WHT**  
Gloss White Trim, White Metal Baffle



**ERT513WHTTS**  
Gloss White Trim, White Metal Baffle and Torsion Springs



**ERT513**  
Gloss White Trim, Black Metal Baffle



**ERT513TS**  
Gloss White Trim, Black Metal Baffle and Torsion Springs

## ERT513

5-Inch Baffle