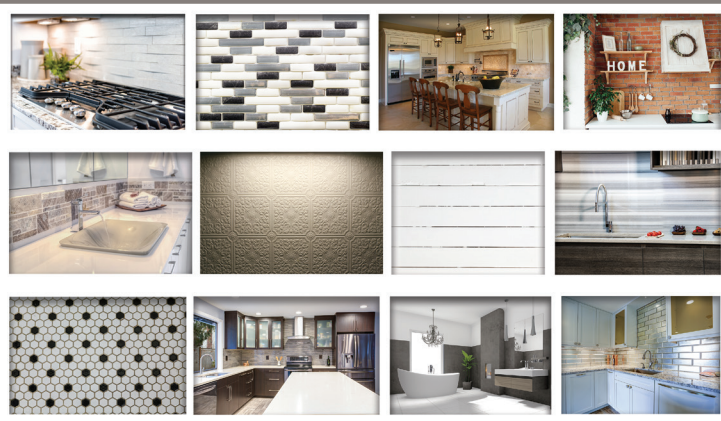


NEW Adjustable EZ BOX®

THE NEW CANTEX EZ BOX adjustable PVC switch & outlet boxes feature EVEN BETTER adjustable brackets that adjust to most drywall thicknesses and wall finishes with a simple turn of a screw. They are better because the screws are on the inside and more easily accessible during installation. EZ22SBZ-ADJ EZ BOXES are great for new work and retrofit applications, these boxes are perfect for kitchens and bathrooms where the type of wall finishes often determine the depth of a box.



← EZ22SBZ-ADJ boxes are a great option when a wall covering has already been installed, because they adjust to fit almost any wall finish in seconds.

These NEW CANTEX Adjustable EZ BOXES can solve most wall covering thickness problems for both old and new work applications because they can adjust from 0 to 1 3/4 inches with ease after installation. They are also EZ to mount on any standard wood or metal stud. These new boxes are a great addition to the CANTEX EZ BOX line.

NEW EZ BOX® Adjustable, 1-Gang, New Work & Retrofit Switch & Outlet Box w/ Adjustable Bracket



← **Adjusts from 0 to 1 3/4 inches.**

EZ22SBZ-ADJ EZ BOX is the CANTEX 1-gang, adjustable, 22 cu. in., new work, electrical switch & outlet box with an adjustable bracket that adjusts to various drywall thicknesses and wall finishes. It is a perfect solution when a wall covering has already been installed. It is great for construction and retrofit applications. It is easy to mount to standard wood or metal studs.

- Bracket adjusts to most drywall thicknesses & wall coverings
- 4 knockouts for EZ wiring
- Easy to mount to standard wood or metal stud
- Adjusts to any wall covering
- ETL Listed, ETL 2 Hour Fire Rated
- Engineered for easy, cost saving installation with adjustment screw inside the box
- Made in USA

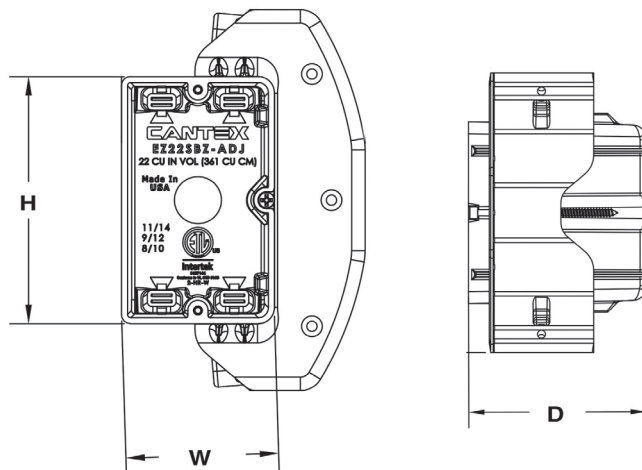


2 hour fire-rated

22 Cubic Inch

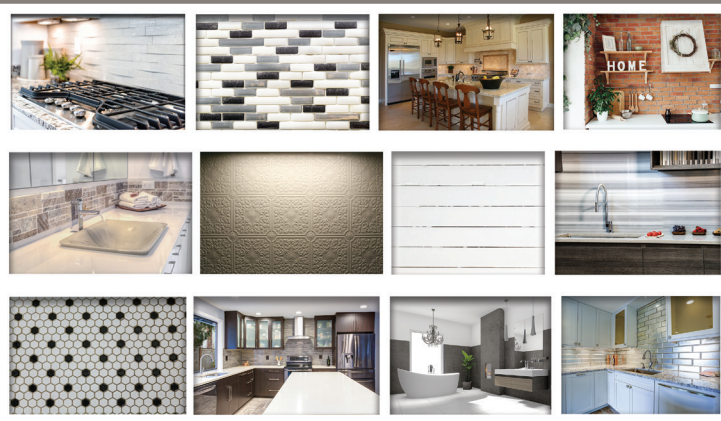
Part Number	Carton Quantity	Height	Width	Depth
EZ22SBZ-ADJ	24	3.655	2.250	3.600

Dimensions are nominal



NEW Adjustable EZ BOX®

THE NEW CANTEX EZ BOX adjustable PVC switch & outlet boxes feature EVEN BETTER adjustable brackets that adjust to most drywall thicknesses and wall finishes with a simple turn of a screw. They are better because the screws are on the inside and more easily accessible during installation. EZ22SBZ-ADJ EZ BOXES are great for new work and retrofit applications, these boxes are perfect for kitchens and bathrooms where the type of wall finishes often determine the depth of a box.



← EZ22SBZ-ADJ boxes are a great option when a wall covering has already been installed, because they adjust to fit almost any wall finish in seconds.

These NEW CANTEX Adjustable EZ BOXES can solve most wall covering thickness problems for both old and new work applications because they can adjust from 0 to 1 3/4 inches with ease after installation. They are also EZ to mount on any standard wood or metal stud. These new boxes are a great addition to the CANTEX EZ BOX line.

NEW EZ BOX® Adjustable, 1-Gang, New Work & Retrofit Switch & Outlet Box w/ Adjustable Bracket



← **Adjusts from 0 to 1 3/4 inches.**

EZ22SBZ-ADJ EZ BOX is the CANTEX 1-gang, adjustable, 22 cu. in., new work, electrical switch & outlet box with an adjustable bracket that adjusts to various drywall thicknesses and wall finishes. It is a perfect solution when a wall covering has already been installed. It is great for construction and retrofit applications. It is easy to mount to standard wood or metal studs.

- Bracket adjusts to most drywall thicknesses & wall coverings
- 4 knockouts for EZ wiring
- Easy to mount to standard wood or metal stud
- Adjusts to any wall covering
- ETL Listed, ETL 2 Hour Fire Rated
- Engineered for easy, cost saving installation with adjustment screw inside the box
- Made in USA



2 hour fire-rated

22 Cubic Inch

Part Number	Carton Quantity	Height	Width	Depth
EZ22SBZ-ADJ	24	3.655	2.250	3.600

Dimensions are nominal

