

TWO GANG EZ BOX®
32 Cubic Inch, Nail On
Suitable for Masonry Walls

3 5/8" x 4" x 3"
 Enhanced angled nails for
 quick mounting between studs
 Eight clamps

Part Number	Carton			UPC-A 0 88700	UPC-ITF 3 0088700
	Quantity	Weight	Cube		
EZ32DN	50	13.00	3.33	01988 1	01988 2
EZ32DNR	15	3.90	1.07	01988 1	01989 9



THREE GANG EZ BOX®
44 Cubic Inch, Nail On
Suitable for Masonry Walls

3 5/8" x 5 7/8" x 2 3/4"
 Enhanced angled nails for
 quick mounting between studs
 Twelve clamps

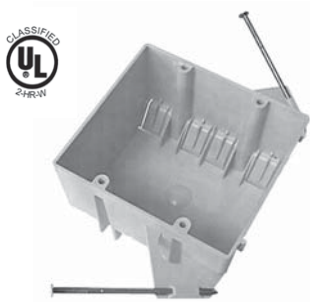
Part Number	Carton			UPC-A 0 88700	UPC-ITF 3 0088700
	Quantity	Weight	Cube		
EZ44TN	50	23.50	3.81	01995 9	01995 0
EZ44TNR	8	3.76	.79	01995 9	01996 7



FOUR GANG EZ BOX®
55 Cubic Inch, Nail On
Suitable for Masonry Walls

3 5/8" x 7 5/8" x 2 5/8"
 Enhanced angled nails and
 adjustable bracket for quick
 mounting between studs
 Twelve clamps

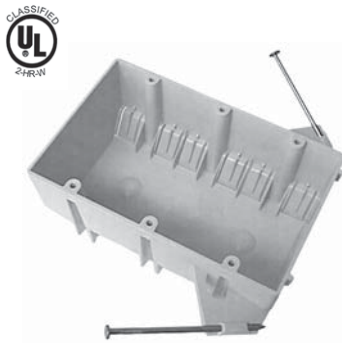
Part Number	Carton			UPC-A 0 88700	UPC-ITF 3 0088700
	Quantity	Weight	Cube		
EZ55QNB	25	17.5	2.22	02005 4	02005 5



TWO GANG EZ BOX®
32 Cubic Inch, Nail On
Suitable for Masonry Walls

3 5/8" x 4" x 3"
 Enhanced angled nails for
 quick mounting between studs
 Eight clamps

Part Number	Carton			UPC-A 0 88700	UPC-ITF 3 0088700
	Quantity	Weight	Cube		
EZ32DN	50	13.00	3.33	01988 1	01988 2
EZ32DNR	15	3.90	1.07	01988 1	01989 9



THREE GANG EZ BOX®
44 Cubic Inch, Nail On
Suitable for Masonry Walls

3 5/8" x 5 7/8" x 2 3/4"
 Enhanced angled nails for
 quick mounting between studs
 Twelve clamps

Part Number	Carton			UPC-A 0 88700	UPC-ITF 3 0088700
	Quantity	Weight	Cube		
EZ44TN	50	23.50	3.81	01995 9	01995 0
EZ44TNR	8	3.76	.79	01995 9	01996 7



FOUR GANG EZ BOX®
55 Cubic Inch, Nail On
Suitable for Masonry Walls

3 5/8" x 7 5/8" x 2 5/8"
 Enhanced angled nails and
 adjustable bracket for quick
 mounting between studs
 Twelve clamps

Part Number	Carton			UPC-A 0 88700	UPC-ITF 3 0088700
	Quantity	Weight	Cube		
EZ55QNB	25	17.5	2.22	02005 4	02005 5