

# RAB LIGHTING

## EZHH175



JOB NAME: \_\_\_\_\_  
 DATE: \_\_\_\_\_  
 TYPE: \_\_\_\_\_

### DESCRIPTION

Versatile MH Floodlight with hinged lens frame and hydroformed reflector. Field adjustable vertical and horizontal lamp positions. Lamp included.

### SPECIFICATIONS

#### Finish:

Standard finish is chip and fade resistant polyester powder coat finish

#### Ground Mounting:

Use the new MPM19 PVC Mighty Post with aluminum cap for sturdy installation

#### Housing:

Precision die cast aluminum. 1/2" NPS threaded arm with locking swivel

#### Lens Frame:

Precision die cast aluminum. Hinged for easy access

#### Lens Gasket:

High temperature tubular silicone set in die cast retaining groove remains in place during relamping.

#### Reflector:

Hydroformed aluminum. Field adjustable vertical or horizontal

#### EPA:

0.6

#### Socket:

Porcelain 4kv Pulse Rated socket with nickel plated screw shell

#### UL Listing:

Suitable for wet locations. Suitable for mounting within 4' of the ground

#### Patents:

RAB sensor and fixture designs are protected under U.S. and International Intellectual Property laws

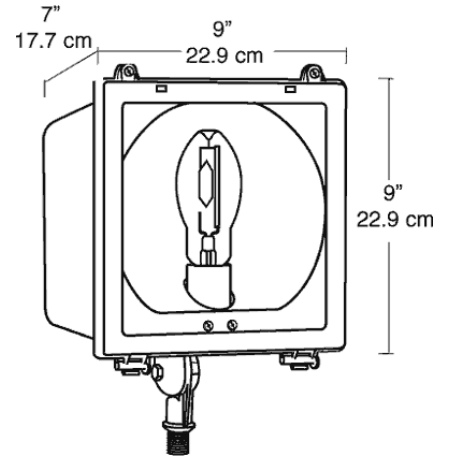
#### Color:

Bronze

#### Weight:

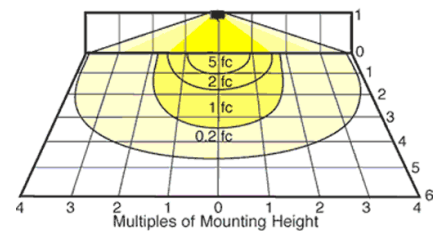
13.9

### DIMENSIONS



### PHOTOMETRICS

150w HPS @ 10' Mounting Height  
 Aimed 30° below horizontal



Mounting Height	Multiplier	Watts	Multiplier HPS MH
8'	1.6	175	.9
10'	1.0	150PS	1.0
12'	.7	150	1.0 .8
16'	.4	100	.6 .6
20'	.3	70	.4 .4
		50	.3 .2
		35	.2

### ORDERING INFORMATION

Metal Halide Lamp supplied with fixture	Total Watts	Lamp Type	Lamp Base	Ballast	Starting Amps/ Operating Amps				Input Watts	LAMP ANSI	Initial Lumens	Lamp Hours
					120V	208V	240V	277V				
	175	ED17	Medium	CWA-HPF 120V	1.3/1.8				210	M57	14000	10000

**Factory Installed Options**  
 Add suffix to Catalog Number

Swivel Photocontrol wired for 120V (/PCS)      Dual Tap works with 120 / 277 volts (/DT)  
 Quad Tap works with 120, 208, 240 and 277 volts (/QT)      Photocontrol wired for 120V (/PC)

Note: Specifications may change without notice

# RAB LIGHTING

## EZHH175



JOB NAME: \_\_\_\_\_  
 DATE: \_\_\_\_\_  
 TYPE: \_\_\_\_\_

### DESCRIPTION

Versatile MH Floodlight with hinged lens frame and hydroformed reflector. Field adjustable vertical and horizontal lamp positions. Lamp included.

### SPECIFICATIONS

#### Finish:

Standard finish is chip and fade resistant polyester powder coat finish

#### Ground Mounting:

Use the new MPM19 PVC Mighty Post with aluminum cap for sturdy installation

#### Housing:

Precision die cast aluminum. 1/2" NPS threaded arm with locking swivel

#### Lens Frame:

Precision die cast aluminum. Hinged for easy access

#### Lens Gasket:

High temperature tubular silicone set in die cast retaining groove remains in place during relamping.

#### Reflector:

Hydroformed aluminum. Field adjustable vertical or horizontal

#### EPA:

0.6

#### Socket:

Porcelain 4kv Pulse Rated socket with nickel plated screw shell

#### UL Listing:

Suitable for wet locations. Suitable for mounting within 4' of the ground

#### Patents:

RAB sensor and fixture designs are protected under U.S. and International Intellectual Property laws

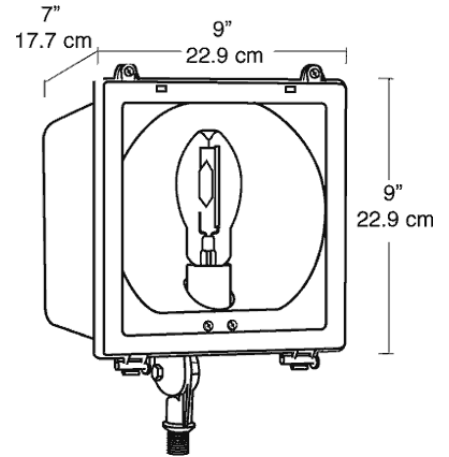
#### Color:

Bronze

#### Weight:

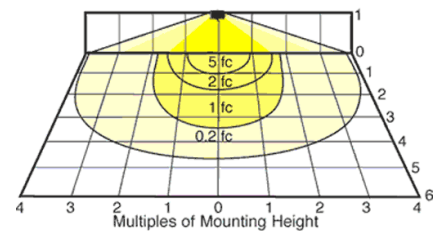
13.9

### DIMENSIONS



### PHOTOMETRICS

150w HPS @ 10' Mounting Height  
 Aimed 30° below horizontal



Mounting Height	Multiplier	Watts	Multiplier HPS MH
8'	1.6	175	.9
10'	1.0	150PS	1.0
12'	.7	150	1.0 .8
16'	.4	100	.6 .6
20'	.3	70	.4 .4
		50	.3 .2
		35	.2

### ORDERING INFORMATION

Metal Halide Lamp supplied with fixture	Total Watts	Lamp Type	Lamp Base	Ballast	Starting Amps/ Operating Amps				Input Watts	LAMP ANSI	Initial Lumens	Lamp Hours
					120V	208V	240V	277V				
	175	ED17	Medium	CWA-HPF 120V	1.3/1.8				210	M57	14000	10000

**Factory Installed Options**  
 Add suffix to Catalog Number

Swivel Photocontrol wired for 120V (/PCS)      Dual Tap works with 120 / 277 volts (/DT)  
 Quad Tap works with 120, 208, 240 and 277 volts (/QT)      Photocontrol wired for 120V (/PC)

Note: Specifications may change without notice

**RAB Lighting, Inc.** • 170 Ludlow Ave • Northvale, NJ 07647 • Tel: 888 RAB-1000 • Fax: 888 RAB-1232 • www.rabweb.com  
 © 2007