

RAB LIGHTING

EZHH175



JOB NAME: _____
 DATE: _____
 TYPE: _____

DESCRIPTION

Versatile MH Floodlight with hinged lens frame and hydroformed reflector. Field adjustable vertical and horizontal lamp positions. Lamp included.

SPECIFICATIONS

Finish:

Standard finish is chip and fade resistant polyester powder coat finish

Ground Mounting:

Use the new MPM19 PVC Mighty Post with aluminum cap for sturdy installation

Housing:

Precision die cast aluminum. 1/2" NPS threaded arm with locking swivel

Lens Frame:

Precision die cast aluminum. Hinged for easy access

Lens Gasket:

High temperature tubular silicone set in die cast retaining groove remains in place during relamping.

Reflector:

Hydroformed aluminum. Field adjustable vertical or horizontal

EPA:

0.6

Socket:

Porcelain 4kv Pulse Rated socket with nickel plated screw shell

UL Listing:

Suitable for wet locations. Suitable for mounting within 4' of the ground

Patents:

RAB sensor and fixture designs are protected under U.S. and International Intellectual Property laws

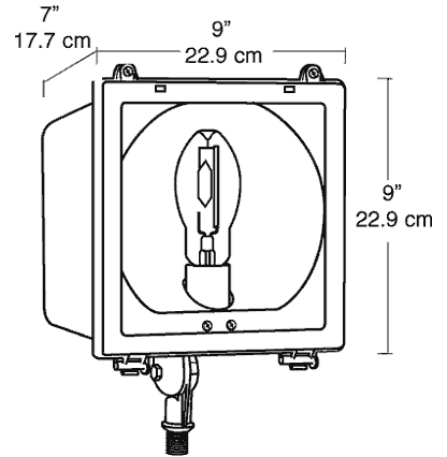
Color:

Bronze

Weight:

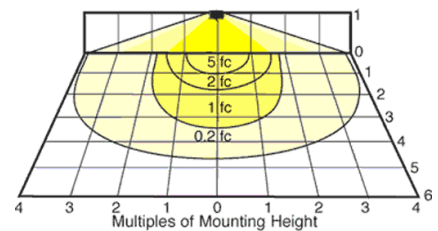
13.9

DIMENSIONS



PHOTOMETRICS

150w HPS @ 10' Mounting Height
 Aimed 30° below horizontal



| Mounting Height | Multiplier | Watts | Multiplier HPS MH |
|-----------------|------------|-------|-------------------|
| 8' | 1.6 | 175 | .9 |
| 10' | 1.0 | 150PS | 1.0 |
| 12' | .7 | 150 | 1.0 .8 |
| 16' | .4 | 100 | .6 .6 |
| 20' | .3 | 70 | .4 .4 |
| | | 50 | .3 .2 |
| | | 35 | .2 |

ORDERING INFORMATION

| Metal Halide Lamp supplied with fixture | Total Watts | Lamp Type | Lamp Base | Ballast | Starting Amps/ Operating Amps | | | | Input Watts | LAMP ANSI | Initial Lumens | Lamp Hours |
|--|-------------|-----------|-----------|--------------|-------------------------------|------|------|------|-------------|-----------|----------------|------------|
| | | | | | 120V | 208V | 240V | 277V | | | | |
| | 175 | ED17 | Medium | CWA-HPF 120V | 1.3/1.8 | | | | 210 | M57 | 14000 | 10000 |

Factory Installed Options
 Add suffix to Catalog Number

Swivel Photocontrol wired for 120V (/PCS) Dual Tap works with 120 / 277 volts (/DT)
 Quad Tap works with 120, 208, 240 and 277 volts (/QT) Photocontrol wired for 120V (/PC)

Note: Specifications may change without notice