



CATALOG NUMBER:	
JOB NAME:	
CUSTOMER NAME:	
NOTES:	TYPE:
	DATE:

FEATURES AND SPECIFICATIONS

FLOOD LIGHTING
FLDX16 SERIES
16" DIE CAST COMPACT FLOOD LIGHT

Wattages:
 Pulse Start: 250w - 400w Ⓜ
 High Pressure Sodium: 250w - 400w

Construction:
 Die Cast Aluminum Housing
 Hinged Face Frame

Optics:
 Uses Standard Size Lamp

Electrical:
 Pre-wired with Cord
 Easy Access Wiring Compartment
 Wiring Compartment
 UL Listed for Wet Locations

Mounting:
 UL Listed for Ground Mounting
 Trunion Mount

Specifications:
 Overall height: 10.27" (26.09 cm)
 Width: 16.25" (41.28 cm)
 Weight: 29 lbs / 13.15 kg.

Warranty:
 Atlas Lighting Products provides a 3 year limited warranty for this product.
 A full warranty can be found at www.alpinc.com.



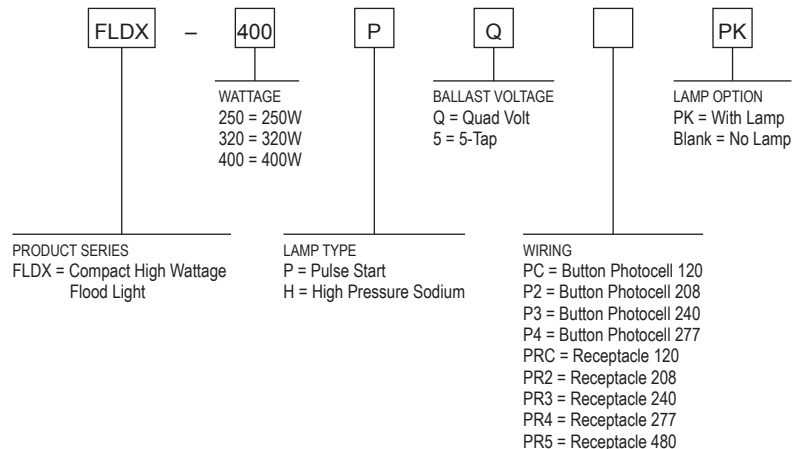
ACCESSORIES

- 320-001 Glare Shield for FLDX - Bronze
- 320-002 Wireguard for FLDX
- 320-004 Large Trunion for FLDX - Bronze
- 320-035BZ Slipfitter for FLDX - Bronze
- 210-002 Face Frame Assembly for FLDX - Bronze

ORDERING INFORMATION

Choose the boldface catalog nomenclature that best suits your needs and write it on the appropriate line. Order accessories as separate catalog numbers (shipped separately).

example:



Actual performance can vary depending on operating conditions. Specifications are subject to change without notice.

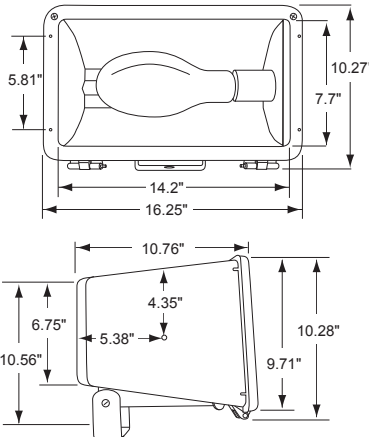
DIMENSIONS

Specifications:

Overall height:
10.27" (26.09 cm)

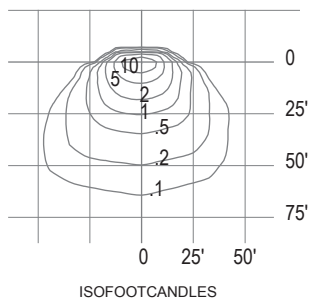
Width:
16.25" (41.28 cm)

Weight:
29 lbs /13.15 kg.

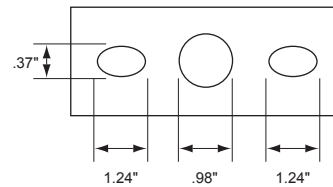


PHOTOMETRICS

400W PS @ 25' Mounting Height



MOUNTING DETAILS



Actual performance can vary depending on operating conditions. Specifications are subject to change without notice.

ATLAS LIGHTING PRODUCTS, INC.

PO BOX 2348 | BURLINGTON, NC 27216

800-849-8485 | FAX: 336-227-0110 | www.atlaslightingproducts.com