

KT-FLED25PS-C1E-UNV-8CSB-VDIM

BULLET FLOODLIGHT

DESCRIPTION

LED Bullet Flood Light with Photocell | Power Select 25/20/15W | Color Select 3000/4000/5000K | 120-277V Input | Bronze Housing



APPLICATION

Perfect in both residential and commercial applications, such as landscape, facade, accent, and flagpole lighting



PRODUCT FEATURES

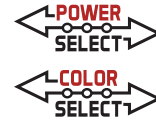
- Keystone Power Select technology (25/20/15W)
- Keystone Color Select technology (3000/4000/5000K)
- Sturdy, die cast aluminum housing in a sleek, modern design
- NEMA 4H x 4V optics pre installed, with optional NEMA 3H x 3V optics included in box
- IP65 design includes twist on/off lens cap for easy field changeable optics (see instructions for details)
- UL and DLC 5.1 listed
- L70 > 50,000 hours @ 45°C/113°F
- Ambient operating temperature: 40°C/-40°F to 45°C/113°F

PRODUCT SPECIFICATIONS

Catalog Number	Selectable Wattage	Selectable CCT	Lumens	Efficacy	Input Voltage	CRI	Housing Color	Rated Life
KT-FLED25PS-C1E-UNV-8CSB-VDIM	25W	3000K	2971	119 lm/W	120-277V	80	Bronze	50,000 hrs
		4000K	3292	132 lm/W				
		5000K	3273	131 lm/W				
	20W	3000K	2398	120 lm/W				
		4000K	2609	130 lm/W				
		5000K	2580	129 lm/W				
	15W	3000K	1862	124 lm/W				
		4000K	1998	133 lm/W				
		5000K	1986	132 lm/W				

IMAGES

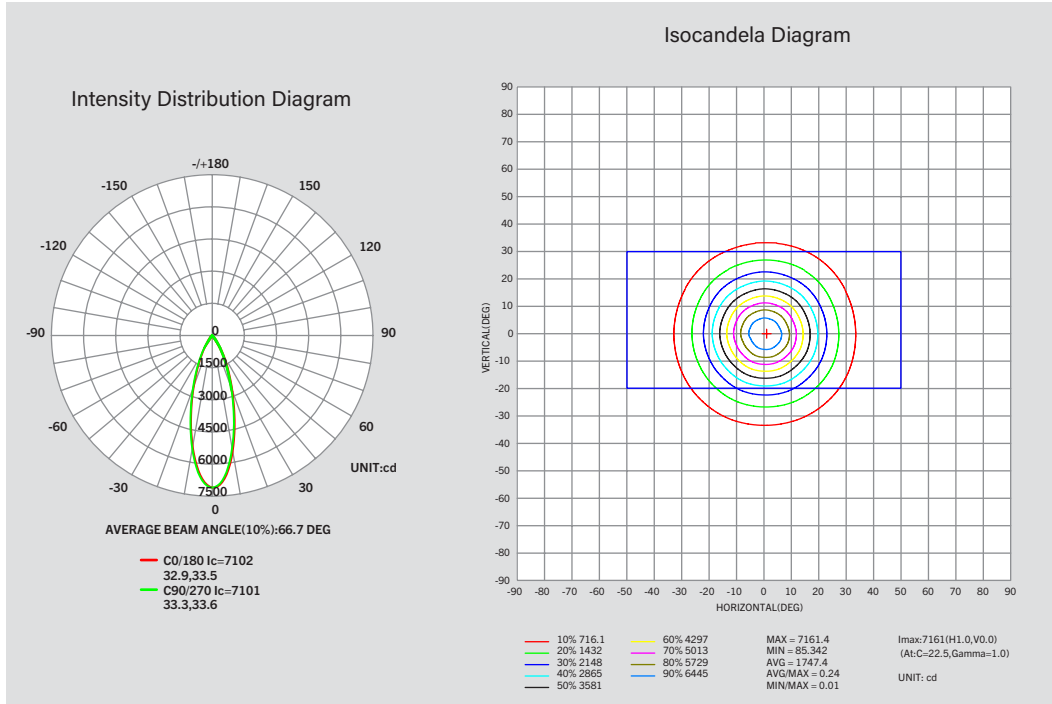




KT-FLED25PS-C1E-UNV-8CSB-VDIM

BULLET FLOODLIGHT

PHOTOMETRICS FOR 4H X 4V LENS AT 25W



FLUX DISTRIBUTION

Zone	Lumens	% Luminaire
Forward Light	1,638 lm	50.0%
0°-30°	1,241 lm	37.9%
30°-60°	331.76 lm	10.1%
60°-80°	39.975 lm	1.2%
80°-90°	2.9898 lm	0.1%
Back Light	1,635.1 lm	50.0%
0°-30°	1,234 lm	37.7%
30°-60°	323.16 lm	9.9%
60°-80°	50.183 lm	1.5%
80°-90°	4.3756 lm	0.1%
Up Light	45.556 lm	1.4%
90°-100°	1.1682 lm	0.0%
100°-180°	44.388 lm	1.4%

BUG* Rating

Asymmetrical Luminaire Types

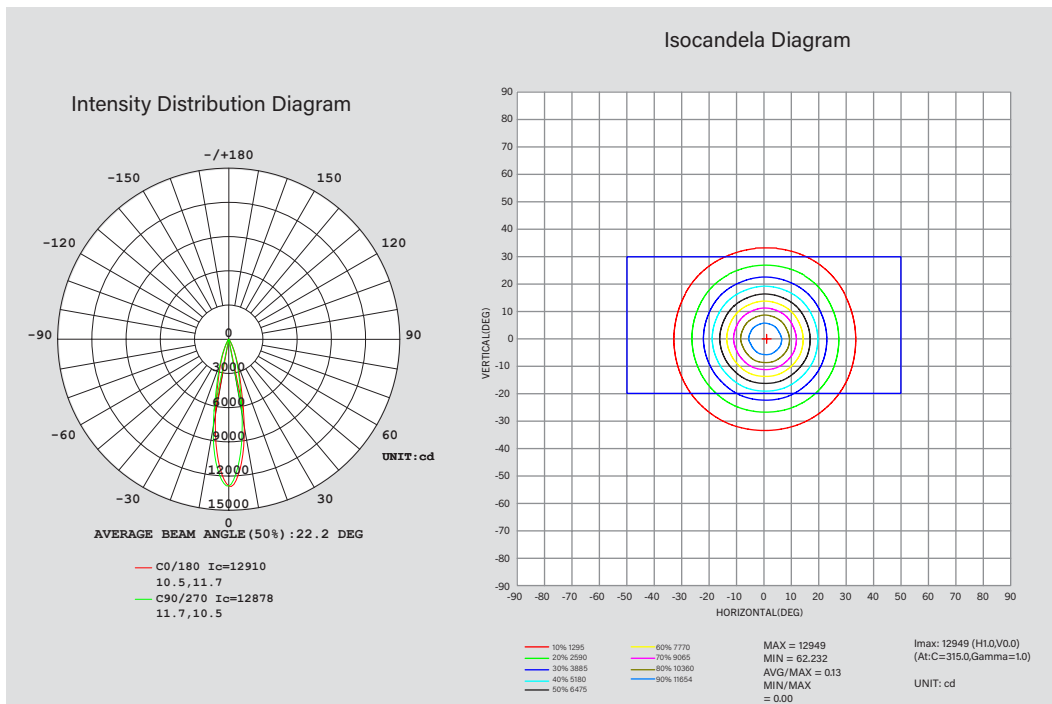
Type I, II, III, IV B2 U0 G2

Quadrilateral Symmetrical Luminaire Types

Type V, Area Light B2 U0 G2

* Backlight, Uplight, Glare

PHOTOMETRICS FOR 3H X 3V LENS AT 25W



FLUX DISTRIBUTION

Zone	Lumens	% Luminaire
Forward Light	1438.4 lm	48.6%
0°-30°	1,253.6 lm	42.3%
30°-60°	151 lm	5.1%
60°-80°	24.587 lm	0.8%
80°-90°	1.2585 lm	0.0%
Back Light	1522.1 lm	51.4%
0°-30°	1,295 lm	43.7%
30°-60°	155.25 lm	5.2%
60°-80°	55.221 lm	1.9%
80°-90°	8.1574 lm	0.3%
Up Light	16.332 lm	0.6%
90°-100°	0.38046 lm	0.0%
100°-180°	15.952 lm	0.5%

BUG* Rating

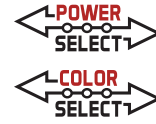
Asymmetrical Luminaire Types

Type I, II, III, IV B3-U2-G0

Quadrilateral Symmetrical Luminaire Types

Type V, Area Light B3-U2-G0

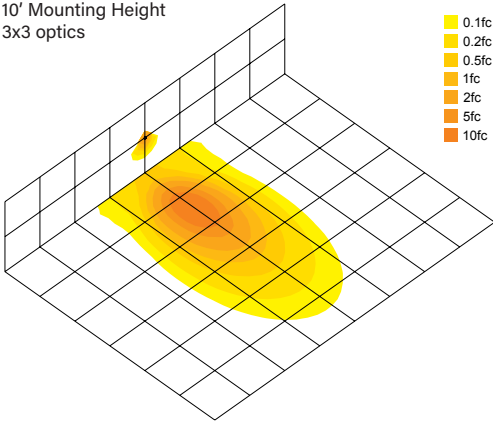
* Backlight, Uplight, Glare



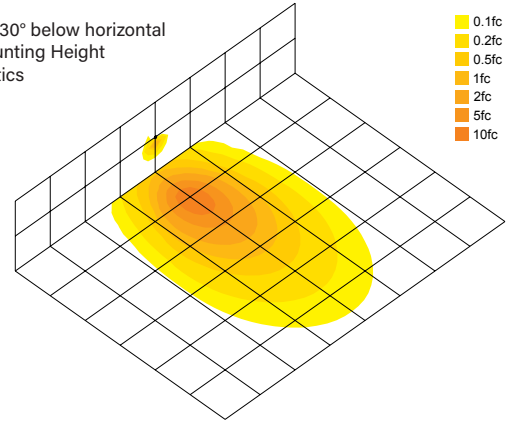
KT-FLED25PS-C1E-UNV-8CSB-VDIM BULLET FLOODLIGHT

LIGHT DISTRIBUTION PATTERN

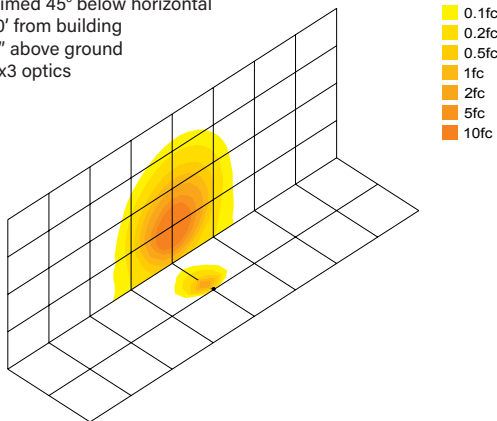
Aimed 30° below horizontal
10' Mounting Height
3x3 optics



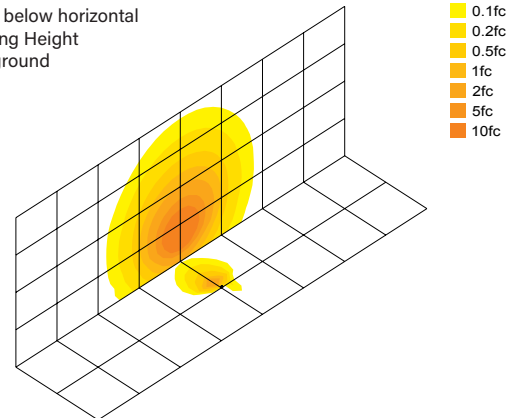
Aimed 30° below horizontal
10' Mounting Height
4x4 optics



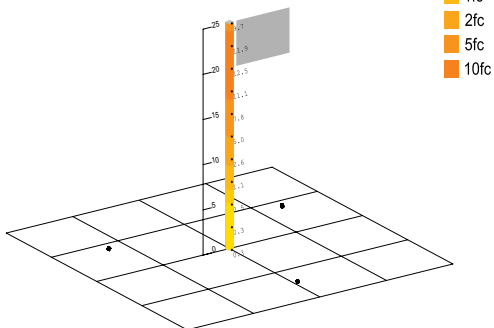
Aimed 45° below horizontal
10' from building
6" above ground
3x3 optics



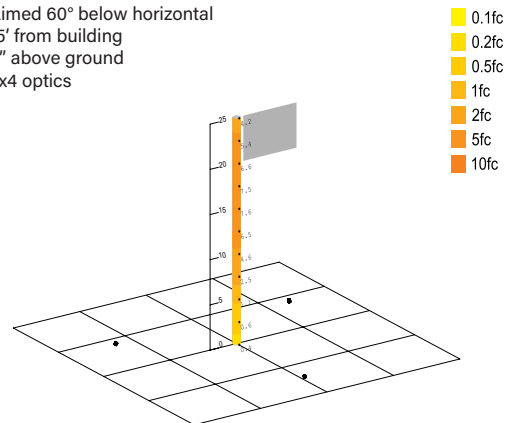
Aimed 45° below horizontal
10' Mounting Height
6" above ground
4x4 optics

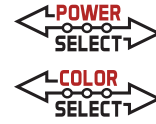


Aimed 60° below horizontal
15' from building
6" above ground
3x3 optics



Aimed 60° below horizontal
15' from building
6" above ground
4x4 optics

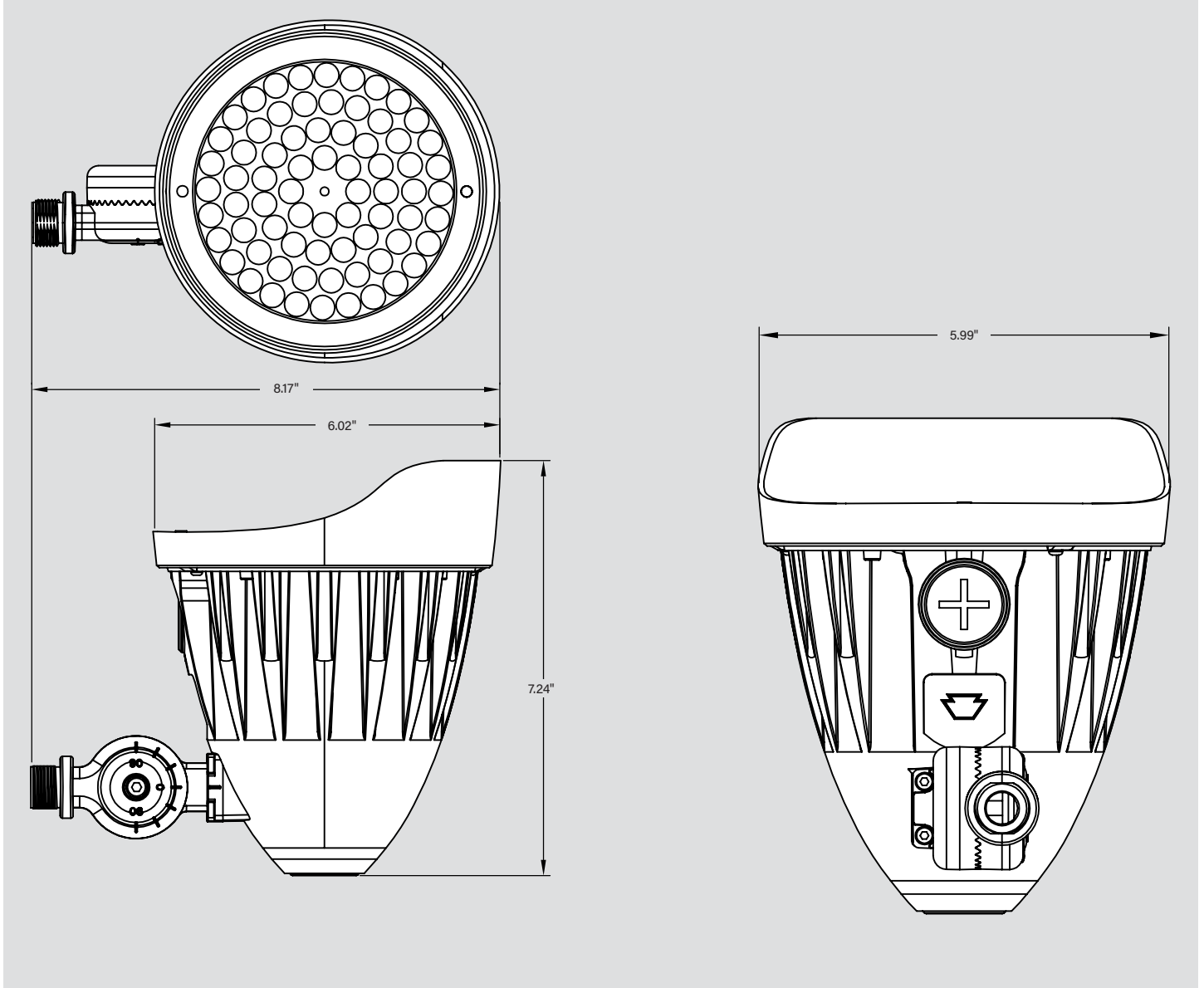


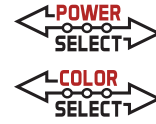


KT-FLED25PS-C1E-UNV-8CSB-VDIM

BULLET FLOODLIGHT

PHYSICAL SPECIFICATIONS





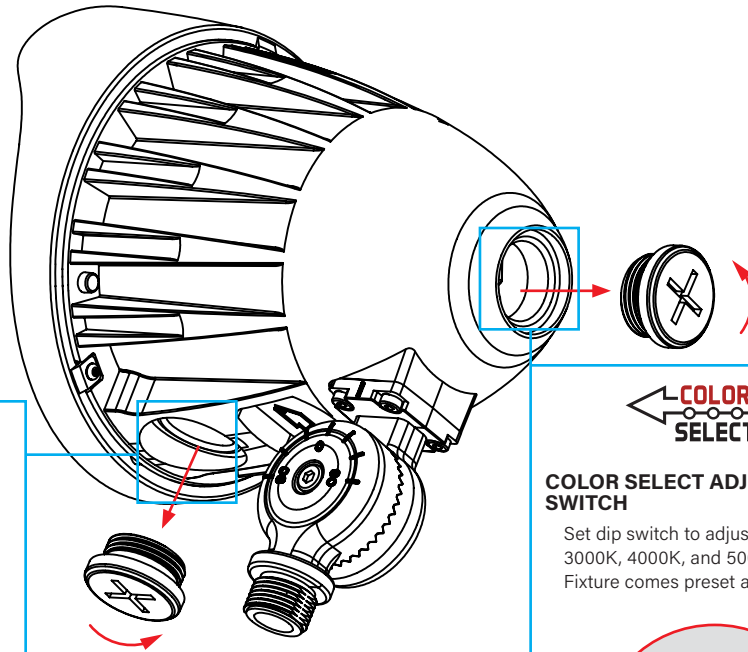
KT-FLED25PS-C1E-UNV-8CSB-VDIM

BULLET FLOODLIGHT

POWER SELECT (WATTAGE) AND COLOR SELECT (CCT) ADJUSTMENT

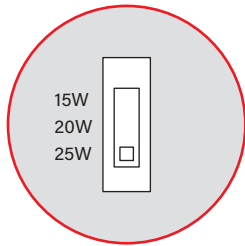
This fixture is equipped with field-adjustable Keystone Power Select and Color Select technology.

1. Ensure power is off to the fixture.
2. Remove knockouts.
3. Adjust dip switches to desired settings.
4. Replace knockouts.
5. Restore power to fixture.



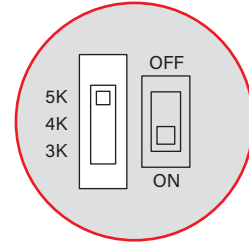
POWER SELECT ADJUSTMENT SWITCH

Set dip switch to adjust wattage between 25W, 20W, and 15W. Fixture comes preset at 25W.



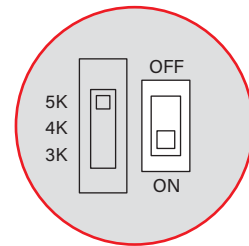
COLOR SELECT ADJUSTMENT SWITCH

Set dip switch to adjust CCT between 3000K, 4000K, and 5000K. Fixture comes preset at 5000K.



PHOTOCELL ON/OFF SWITCH

Set dip switch to turn on or turn off built-in photocell.

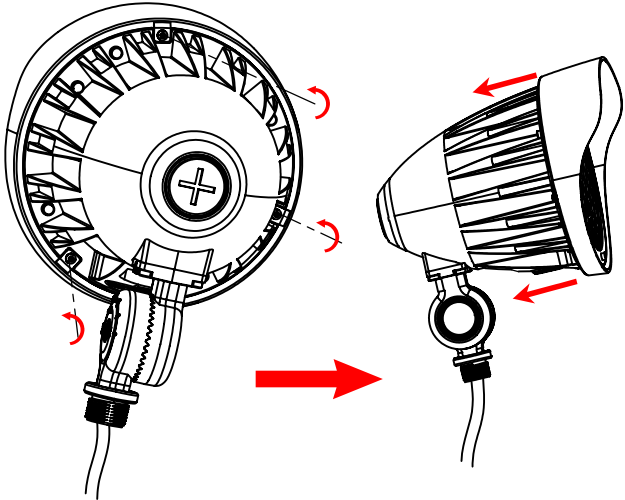


KT-FLED25PS-C1E-UNV-8CSB-VDIM
 BULLET FLOODLIGHT

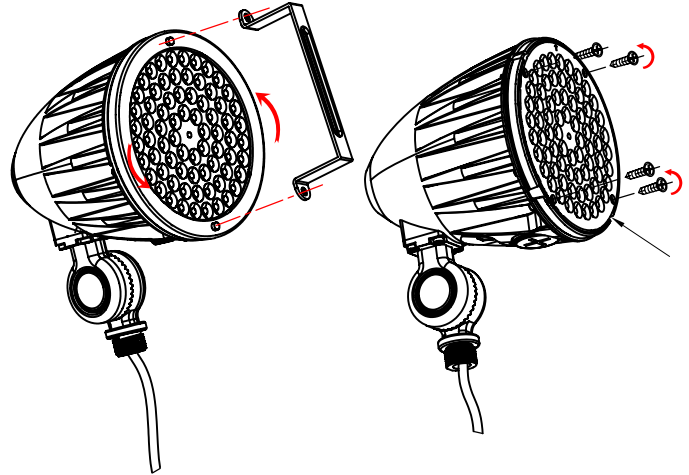
LENS REPLACEMENT INSTRUCTIONS

Note: Lens must be changed before installation

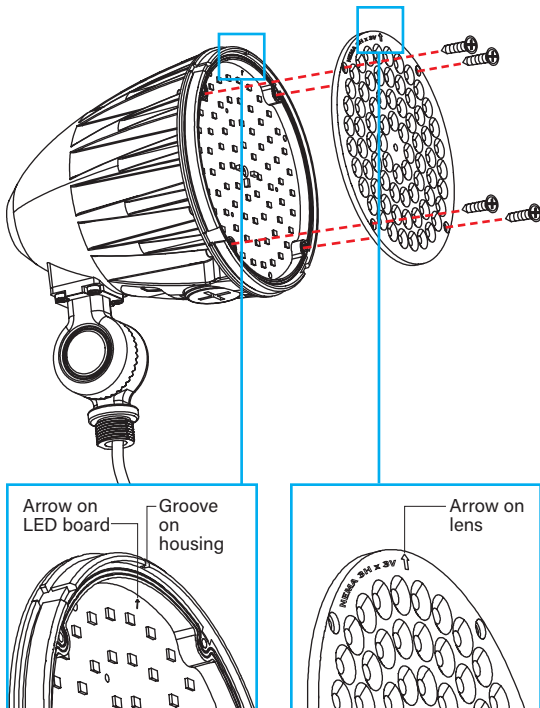
1. Take out the 3 reflector screws, and remove reflector from the housing.



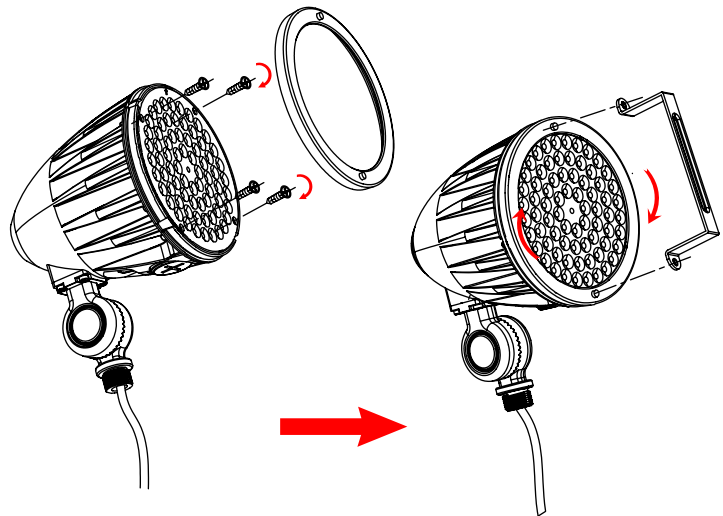
2. Remove the twist on/twist off cap using the wrench tool (provided).

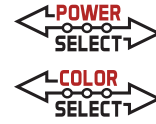


3. Remove screws from the lens and install the NEMA 3H x 3V replacement lens (provided) on the fixture, aligning arrow on lens with arrow on LED board and groove on housing.



4. Insert and tighten the 4 screws from the lens, twist on the cap, then lock the cap in place with the wrench tool (provided).

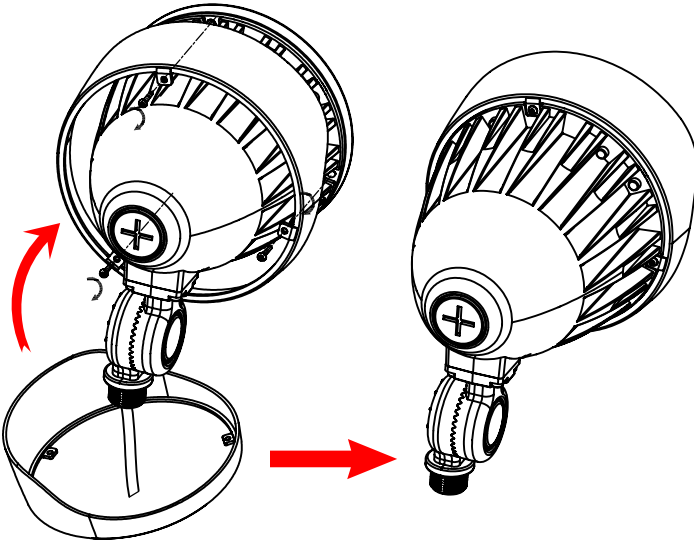




KT-FLED25PS-C1E-UNV-8CSB-VDIM

BULLET FLOODLIGHT

5. Feed the reflector through the back side of the fixture, and tighten the 3 reflector screws.

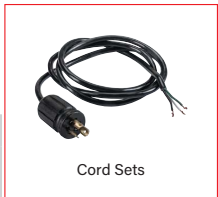


ACCESSORIES

CORD SETS

Factory-Installable OR Field-Installable (field-installable purchased separately)

✓	SUFFIX*	CATALOG NUMBER	DESCRIPTION	UPC	EASY CODE
	/515P6	KT-CS-515P-6-18/3	Cord set; 125V NEMA 5-15P; straight blade plug; 6' SJTOW cable; 18/3 wire	843654140124	UKH-26



* For factory installation of accessory, add suffix to fixture part number (see ordering examples and instructions on last page of spec sheet).
 Note: For cord sets not listed here, please contact your Keystone sales rep.

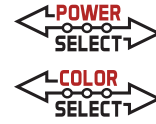
ORDERING INFORMATION

ORDER CODE	UPC	EASY CODE	DLC PRODUCT ID
KT-FLED25PS-C1E-UNV-8CSB-VDIM	843654141886	HYH-58	S-NW8ZP1

CATALOG NUMBER BREAKDOWN

KT-FLED25PS-C1E-UNV-8CSB-VDIM

1	2	3	4	5	6	7	8	9	10	11	12
1 Keystone Technologies	2 Floodlight LED	3 Max Wattage	4 Power Select	5 Circular	6 Series 1	7 4H x 4V Distribution	8 Universal Voltage	9 80 CRI	10 Color Select	11 Color Select Designation	12 0-10V Dimming
								11 Color Select Designation			
								B	3000/4000/5000K		



KT-FLED25PS-C1E-UNV-8CSB-VDIM

BULLET FLOODLIGHT

ORDERING EXAMPLES

FIXTURE WITH SINGLE FACTORY-INSTALLED ACCESSORY
KT-FLED25PS-C1E-UNV-8CSB-VDIM /515P6

FIXTURE WITH NO FACTORY-INSTALLED ACCESSORIES
KT-FLED25PS-C1E-UNV-8CSB-VDIM

KEYSTONE FIXTURE	
CATALOG NUMBER	
KT-FLED25PS-C1E-UNV-8CSB-VDIM	

CORD SETS		
	SUFFIX	CATALOG NUMBER
✓	/515P6	KT-CS-515P-6-18/3

* When ordering more than one factory-installed accessory, use multiple suffixes as shown in the ordering examples above.
Note: All accessories can also be ordered separately for field installation using just their regular Catalog Number, UPC, or Easy Code.