

Fan Support Boxes & Pancakes

4" CEILING FAN & LIGHT FIXTURE SUPPORT PRODUCTS

Features:

- Plastic Non-Metallic Sheathed Cable Connector
- NM Clamp installed in 1-1/2" & 2-1/8" Boxes, Replaceable MC Clamp is supplied in Hardware Pack
- Hardware Pack with Variety of Fasteners for all installation types
- Easy-to-follow Instruction Sheet
- Complies with NEC 422-18(a) for up to 35 lbs. of ceiling fan load or 70 lbs. of fixture load. Boxes with a 70 lbs. ceiling fan load rating will be available Mid 2009.

Bar Hangers:

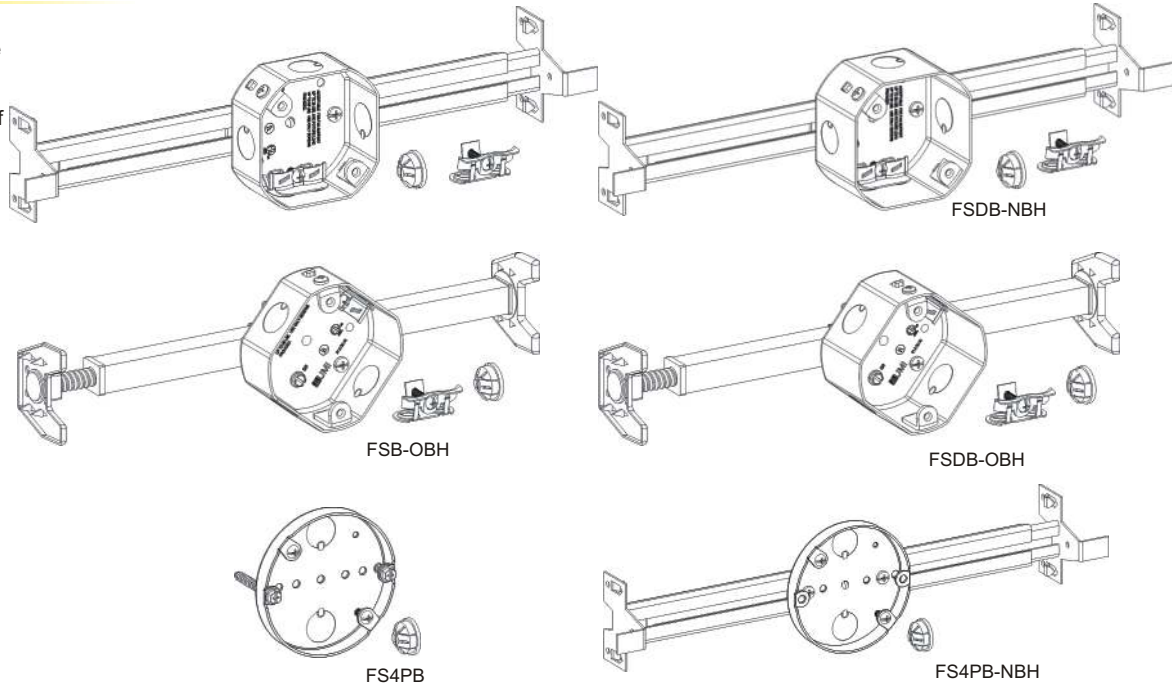
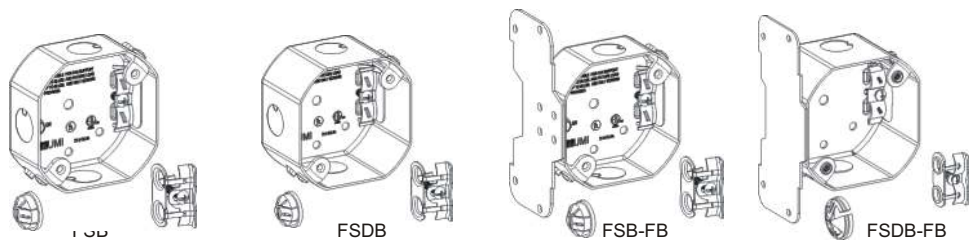
- **NBH** New Construction Bar Hanger slides apart to fit joist spacing from 16" to 24"
- **OBH** Old Work Bar Hanger for joist spacing from 16" to 24", No tools necessary for expansion of the bar

BX/MC Clamp:

- All MC series boxes are suitable for use with MCAP™-Aluminum
- MCAP is a trademark of Southwire Company



Cat. No.	Depth	Clamp Type	Bracket, Setback or Expansion	Knockouts	Cu. In.	Std. Pkg.
FSB	1-1/2"	BX/MC, NM	-	3 - 1/2", 2 - Loom	15.5	20
FSDB	2-1/8"	BX/MC, NM	-	3 - 1/2", 2 - Loom	21.5	20
FSB-FB	1-1/2"	BX/MC, NM	FB, 1/2"	2 - 1/2", 2 - Loom	15.5	20
FSDB-FB	2-1/8"	BX/MC, NM	FB, 1/2"	2 - 1/2", 2 - Loom	21.5	20
FSB-NBH	1-1/2"	BX/MC, NM	NBH, 16" TO 24"	3 - 1/2", 2 - Loom	15.5	10
FSDB-NBH	2-1/8"	BX/MC, NM	NBH, 16" TO 24"	3 - 1/2", 2 - Loom	21.5	10
FSB-OBH	1-1/2"	BX/MC, NM	OBH, 16" TO 24"	3 - 1/2", 2 - Loom	15.5	10
FSDB-OBH	2-1/8"	BX/MC, NM	OBH, 16" TO 24"	3 - 1/2", 2 - Loom	21.5	10
FS4PB	1/2"	-	-	2 - 1/2"	5.8	20
FS4PB-NBH	1/2"	-	NBH, 16" TO 24"	2 - 1/2"	5.8	10



FAN SUPPORT BAR HANGERS



Cat. No.	Description	Std. Pkg.
FS-NBH	16" to 24" Adjustable New Construction Bar Hanger for use with Fan Support Boxes	10
FS-OBH	16" to 24" Adjustable Old Work Bar Hanger for use with Fan Support Boxes	10

Certification:

- File E227970

