

Factor FSL

DECORATIVE FLOOD

FEATURES

- Vented housing design isolates LED module from driver for long life and improved performance
- NEMA distributions: Narrow (3x3), Medium (4x4), Rectangular Medium (5x4) and Wide (6x6)
- Photocontrol available for energy savings
- Universal 120-277V 50/60 Hz
- IP66, listed to UL1598 for use in wet locations
- Visor and vandal lens accessories available
- Seven standard finishes: Dark Bronze, Black, Gray, White, Platinum, Red and Forest Green



SPECIFICATIONS

CONSTRUCTION

- Corrosion resistant, rugged die-cast aluminum housing with powder coat paint finish
- High impact UV stabilized acrylic outer lens protects LEDs and allows for cleaning and debris removal
- Vented housing isolates LED module from driver, maximizing product life and performance
- Visor and vandal lens available

OPTICS

- 10 high powered LED's
- MTO Versions: 3000K CCT nominal with 80 CRI, 4000K and 5000K CCT nominal with 70 CRI
- Variety of NEMA distributions: - N (3x3), M (4x4), RM (5x4) and W (6x6) - for wide range of lighting applications; Stock version Wide (6x6) only

INSTALLATION

- Traditional 1/2" x 14 NPS threaded adjustable knuckle mounting
- Easy maintenance access to electrical components with removal of 4 screws from back of fixture housing.

ELECTRICAL

- Ambient operating temperature -35°C to 40°C
- Stock Versions: 4000K and 5000K CCT
- 120-277V operation, 50/60Hz
- Driver IP66 and RoHS compliant
- Comes standard with 10KV surge protection device
- 0-10V dimming driver standard, continuous dimming option to have leads pulled out for easy connection

CERTIFICATIONS

- IP66
- Listed to UL1598 for use in wet locations
- DLC Qualified (4000K and 5000K models only); Consult DLC website for more details

WARRANTY

- 5 year limited warranty

KEY DATA	
Lumen Range	14,94–22,259
Wattage Range	25
Efficacy Range (LPW)	71–110
Fixture Projected Life (Hours)	L70>136K
Weights lbs. (kg)	2.66 (1.2)

Factor FSL

DECORATIVE FLOOD

ORDERING GUIDE

Example: FSL-10L-25-3K-7-M-U-K-BLT

CATALOG #

ORDERING INFORMATION

Series	# LEDs	Watts	CCT	CRI	Distribution	Voltage	Mounting	Finish
FSL Factor Flood Small	10L 10 LEDs	25 25W	3K 3000K 4K 4000K 5K 5000K	7 70 CRI 8 ² 80 CRI	N 3x3 M 4x4 RM 5x4 W 6x6	U 120V-277V 1 120V 2 208V 3 240V 4 277V	K Knuckle	BLT Black Matte Textured BLS Black Gloss Smooth DBT Dark Bronze Matte Textured DBS Dark Brone Gloss Smooth GTT Graphite Matte Textured LGS Light Grey Gloss Smooth PSS Platinum Silver Smooth WHT White Matte Textured WHS White Gloss Smooth VGT Verde Green Textured Color Option CC Custom Color

Control Options	Options
PC¹ Photocontrol (voltage specified and determined by voltage field) CD Continuous dimming	F¹ Fuse & Fuse-Holder (not available with Battery Backup)

Notes:

- 1 PC - photocell and F - Fusing options cannot be combined, only available as separate options
- 2 80 CRI only available on 3K configurations

STOCK ORDERING INFORMATION

Catalog Number	Mount	Max Candle Power	Beam Pattern	Wattage	Drive Current	Voltage	Color Temperature	Lumens	LPW	Weight lbs. (kg)	Finish
FSL-25	1/2" thread	1814	Wide	25	700mA	120-277V	5000K	2664	106.5	6 (2.7)	Bronze
FSL-25-PCU	1/2" thread	1814	Wide	25	700mA	120-277V	5000K	2664	106.5	6 (2.7)	Bronze
FSL-25-4K	1/2" thread	1794	Wide	25	700mA	120-277V	4000K	2406	92.5	6 (2.7)	Bronze
FSL-25-4K-PCU	1/2" thread	1794	Wide	25	700mA	120-277V	4000K	2406	92.5	6 (2.7)	Bronze

REPLACEMENT PART - MADE TO ORDER

Catalog Number	Description
<input type="checkbox"/> FSL-SPC	Vandal resistant polycarbonate lens (Replaces existing acrylic fixture lens)
<input type="checkbox"/> FSL-VISOR-XX*	Top/Bottom visor (Tap holes in lens frame for field installation)
<input type="checkbox"/> 93047942AC	Acrylic lens w/ gasket
<input type="checkbox"/> 93047957	FSL7, 25w, 120-277V Dimming driver, 1050mA
<input type="checkbox"/> 93043808	FSL10, 25w, 120-277V Dimming driver, 700mA
<input type="checkbox"/> 20750110264	Knuckle mount Dark Bronze finish. Contact factory for additional finishes
<input type="checkbox"/> S-302	Slipfits 1 1/2" or 2" pipe (1.9" OD or 2 3/8" OD) with 1/2" N.P.S.M. hub; Gray
<input type="checkbox"/> S-302-M51	Slipfits 1 1/2" or 2" pipe (1.9" OD or 2 3/8" OD) with 1/2" N.P.S.M. hub; Bronze
<input type="checkbox"/> S-302-M52	Slipfits 1 1/2" or 2" pipe (1.9" OD or 2 3/8" OD) with 1/2" N.P.S.M. hub; White
<input type="checkbox"/> TRN-XX*	Trunnion adaptor for 1/2" threaded knuckle mount

Factor FSL

DECORATIVE FLOOD

REPLACEMENT PART - MADE TO ORDER (CONTINUED)

Notes:

* Specify finish color to match fixture, e.g. DB - Bronze



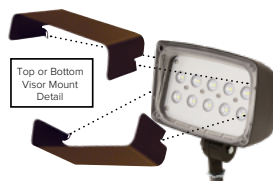
FSL-SPC



FSL-VISOR – 3/4 View



Front View



S-302-XXX



TRN-XX

PERFORMANCE DATA – MTO

# Of LEDs	Nominal Wattage	System Watts	Dist. Type	NEMA	Field Angle H° x V°	5K (5000K NOMINAL 70 CRI)			4K (4000K NOMINAL 70 CRI)			3K (3000K NOMINAL 80 CRI)		
						Lumens	LPW*	Max Beam Candlepower	Lumens	LPW*	Max Beam Candlepower	Lumens	LPW*	Max Beam Candlepower
10	700mA	25w	N	3x3	32x32	2735	110	22259	2583	108	20172	2007	84	17546
			M	4x4	54x54	2742	109	8210	2511	105	7162	2008	84	5761
			RM	5x4	85x85	2250	88	2124	2124	89	3468	1714	71	2977
			W	6x6	107x107	2664	106.5	1814	2463	98.5	1668	1984	83	1494

Notes:

* Lumen values are from photometric tests performed in accordance with IESNA LM-79-08. Data is considered to be representative of the configurations shown. Actual performance may differ as a result of end-user environment and application.

PROJECTED LUMEN MAINTENANCE – STOCK

Ambient Temperature	OPERATING HOURS – FSL-7					
	0	25,000	50,000	TM-21-11 L96 60,000	100,000	L70 (Hours)
25°C / 77°F	0.99	0.91	0.85	0.84	0.76	>137,000

PROJECTED LUMEN MAINTENANCE – MTO

Ambient Temperature	OPERATING HOURS – FSL-7					
	0	25,000	50,000	TM-21-11 L96 60,000	100,000	L70 (Hours)
25°C / 77°F	1.00	0.98	0.96	0.96	0.94	>696,000
40°C / 104°F	0.99	0.96	0.95	0.94	0.92	>565,000

ELECTRICAL DATA

# OF LEDS	Number of Drivers	Drive Current (mA)	Input Voltage (V)	Oper. Current (Amps)	System Power (W)
7	1	1050mA	120	0.23	26
			277	0.11	26
10	1	700mA	120	0.204	25
			277	0.09	25

LUMINAIRE AMBIENT TEMPERATURE FACTOR (LATF)

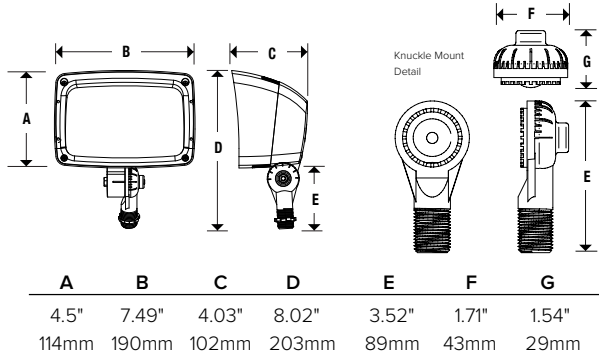
Ambient Temperature	Lumen Multiplier
0° C	1.02
10° C	1.01
20° C	1.00
25° C	1.00
30° C	1.00
40° C	0.99
50° C	0.98

Use these factors to determine relative lumen output for average ambient temperatures from 0-50°C (32-122°F).

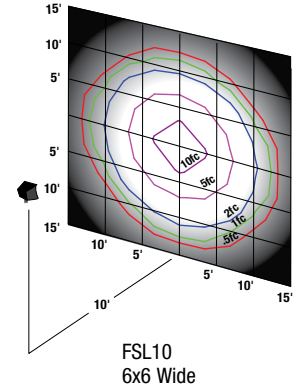
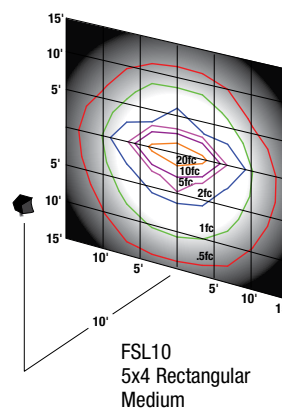
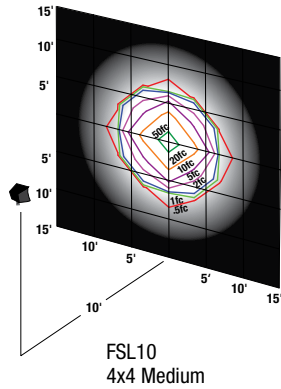
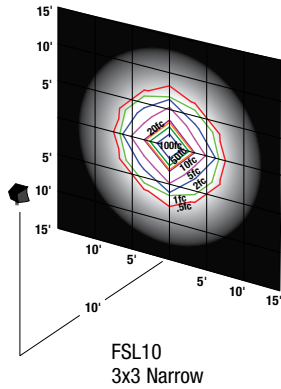
Factor FSL

DECORATIVE FLOOD

DIMENSIONS



PHOTOMETRICS



ADDITIONAL INFORMATION

SHIPPING INFORMATION

Catalog Number	G.W(kg)/CTN	Carton Dimensions		
		Length Inch (cm)	Width Inch (cm)	Height Inch (cm)
FSL-25 (Single carton 1pc.)	2.66lbs (1.2)	9.45 (24)	7.87 (20)	6.69 (17)
FSL-25 (Master carton 2 pcs.)	5.31lbs (2.4)	16.54 (42)	10.04 (25.5)	7.68 (19.5)
FSL-25 (Single carton 1pc.)	3.18 (1.4)	11.81 (30)	9.45 (24)	7.48 (19)