

## DESCRIPTION

The PC LED twin head flood series is ideal in outdoor areas where a low-maintenance solution is required. Producing up to 2200 lumens, this small but effective floodlight can be wall or eave mounted for maximum versatility. Upon installation, choose between one of 3 color temperatures: 3000K (soft white), 4000K (bright white), or 5000K (daylight) to ensure that you always have the right color light. This outdoor rated product utilizes a durable rust free polycarbonate housing. Available as a Flood, Dusk-to-Dawn, or Motion activated fixture.

Catalog #		Type
Project		
Comments		Date
Prepared by		

## SPECIFICATION FEATURES

### Construction

- Lightweight, rust free polycarbonate construction
- Bronze or white finish
- Tool-less head and motion sensor adjustment
- Wall or eave mounted to recessed junction boxes

### Optics

- Field selectable CCT: 3000K, 4000K and 5000K
- Sleek wrap around lens design to push more light to where you need it

### Electrical

- 120VAC, 60Hz
- Built to last with maintenance-free LEDs with 50,000 life hours
- Fixture operating temperature of -30°C to 40°C
- External supply wiring 75°C minimum
- Integral photocell allows for nighttime ON / daytime OFF operation (Integrated sensor SKUs only)
- The motion sensor has a 180° detection up to 50' range, with adjustable sensitivity and duration from 1-12 minutes. (Motion sensor SKUs only)

### Warranty

- Five year limited warranty, consult website for details. [www.eaton.com/lighting/legal](http://www.eaton.com/lighting/legal)

### Compliance

- UL certified for US and Canada for wet locations
- EMI/RFI emissions per FCC 47CFR Part 15B
- Contains no mercury or lead and RoHS compliant.
- Photometric testing in accordance with IES LM-79-08
- Lumen maintenance projections in accordance with IES LM-80-08 and TM-21-11.



## PC LED TWIN PC LED TWIN HEAD FLOOD SERIES

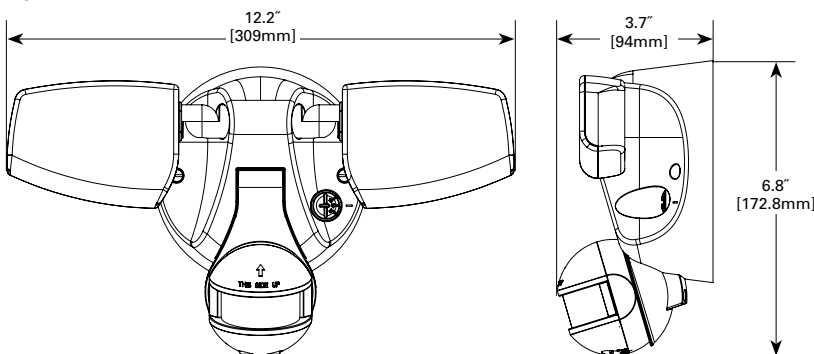
1300 and 2200 Lumen Series

seleCCTable™

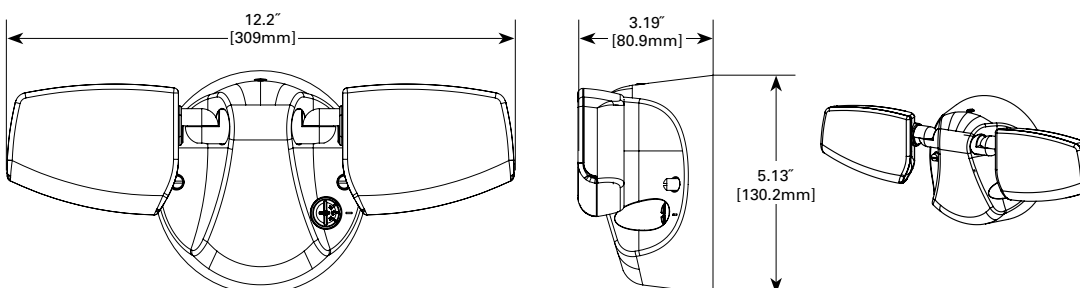
Suitable for recessed mount electrical junction boxes

## DIMENSIONS

### MST



### FT



## ENERGY DATA

Lumens	1346	
Input Voltage	120V	60Hz
Input Current @ 120V	(mA)	109
Input Power	(W)	14.2
Efficiency	(LPW)	94.8
THD:	20%	
PF:	0.90	

Lumens	2200	
Input Voltage	120V	60Hz
Input Current @ 120V	(mA)	169
Input Power	(W)	23.6
Efficiency	(LPW)	93.2
THD:	20%	
PF:	0.90	

**ORDERING INFORMATION**

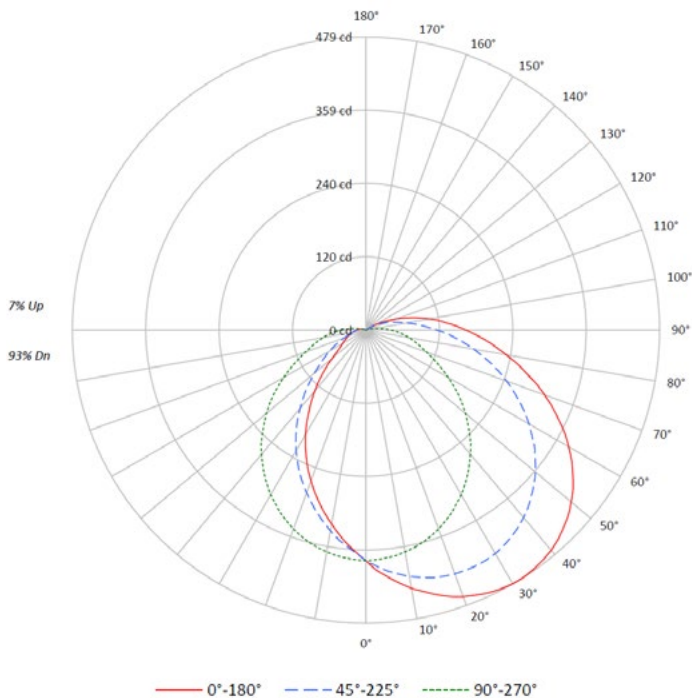
Sample Number: MST28VCB or FT18VCIW

Module	Lumens	CRI/CCT	Options	Colors
FT = Flood Twin MST = Motion Square Twin	18 = 1300 lumens (nominal) 28 = 2200 lumens (nominal)	VC = Selectable CCT 3000K, 4000K, & 5000K	I = Integrated Photocell Blank= None	B = Bronze W = White

**PHOTOMETRY**

FT18

LUMINOUS INTENSITY POLAR PLOT



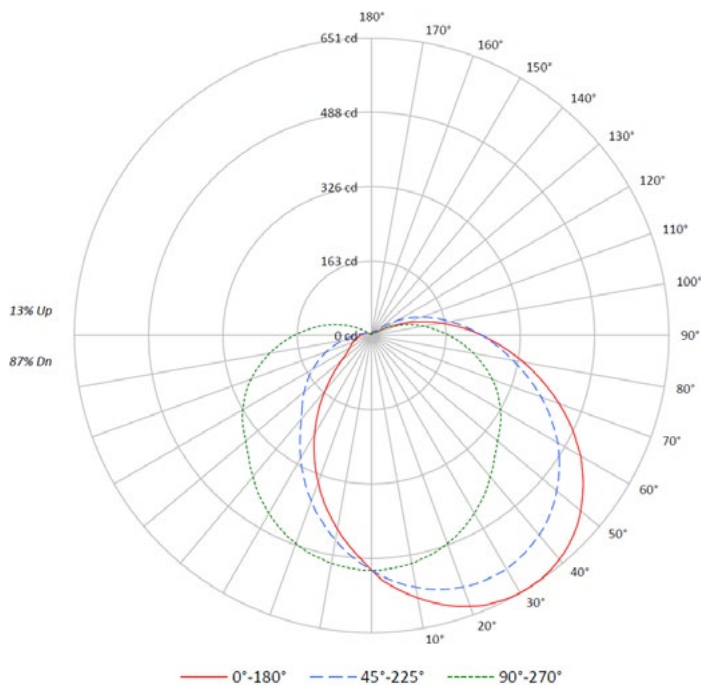
ZONAL LUMENS

Zone	Lumens	%Fixture
0° - 10°	35.7	2.6
10° - 20°	102.7	7.6
20° - 30°	156.8	11.6
30° - 40°	190.5	14.1
40° - 50°	199.9	14.8
50° - 60°	187.7	13.9
60° - 70°	161.3	12.0
70° - 80°	125.9	9.3
80° - 90°	88.5	6.6
90° - 100°	55.1	4.1
100° - 110°	28.9	2.1
110° - 120°	11.7	0.9
120° - 130°	2.1	0.2
130° - 140°	0.0	0.0
140° - 150°	0.0	0.0
150° - 160°	0.0	0.0
160° - 170°	0.0	0.0
170° - 180°	0.0	0.0
0° - 30°	295.2	21.9
0° - 40°	485.7	36.1
0° - 60°	873.3	64.8
0° - 90°	1249.0	92.7
90° - 120°	95.7	7.1
90° - 150°	97.7	7.3
90° - 180°	98.0	7.3
0° - 180°	1346.8	100.0

FIELD PERFORMANCE MAY DIFFER FROM LABORATORY PERFORMANCE

FT28

LUMINOUS INTENSITY POLAR PLOT



ZONAL LUMENS

Zone	Lumens	%Fixture
0° - 10°	48.8	2.2
10° - 20°	140.7	6.2
20° - 30°	216.4	9.6
30° - 40°	267.4	11.9
40° - 50°	293.0	13.0
50° - 60°	297.2	13.2
60° - 70°	278.6	12.4
70° - 80°	239.4	10.6
80° - 90°	187.3	8.3
90° - 100°	131.8	5.8
100° - 110°	81.9	3.6
110° - 120°	42.1	1.9
120° - 130°	16.1	0.7
130° - 140°	5.8	0.3
140° - 150°	3.7	0.2
150° - 160°	2.3	0.1
160° - 170°	1.1	0.0
170° - 180°	0.3	0.0
0° - 30°	405.8	18.0
0° - 40°	673.3	29.9
0° - 60°	1263.5	56.1
0° - 90°	1968.7	87.4
90° - 120°	255.7	11.3
90° - 150°	281.3	12.5
90° - 180°	285.0	12.6
0° - 180°	2253.7	100.0

FIELD PERFORMANCE MAY DIFFER FROM LABORATORY PERFORMANCE

PHOTOMETRY

FT18VCB-4000K (30 DEG TILT)

Mounting Height	Length (L)	Width (W)	Area (Sq.Ft.)
10	27	27	2290
15	27	30	2545
20	22	20	1382

FT28VCB-4000K (30 DEG TILT)

Mounting Height	Length (L)	Width (W)	Area (Sq.Ft.)
10	28	32	704
15	30	34	801
20	32	36	905

Series	Voltage	Power (W)	Delivered Lumens (Lm)	Efficacy (Lm/W)	CCT	CRI	Controls
FT18VCB	120V	14.2	1346	94.8	3000K, 400K, 5000K	84	None
FT18VCW	120V	14.2	1346	94.8	3000K, 400K, 5000K	84	None
FT18VCIB	120V	14.2	1346	94.8	3000K, 400K, 5000K	84	Integrated Photocell
FT18VCIW	120V	14.2	1346	94.8	3000K, 400K, 5000K	84	Integrated Photocell
MST18VCB	120V	14.2	1346	94.8	3000K, 400K, 5000K	84	Motion Sensor
MST18VCW	120V	14.2	1346	94.8	3000K, 400K, 5000K	84	Motion Sensor
FT28VCB	120V	23.6	2200	93.2	3000K, 400K, 5000K	84	None
FT28VCW	120V	23.6	2200	93.2	3000K, 400K, 5000K	84	None
FT28VCIB	120V	23.6	2200	93.2	3000K, 400K, 5000K	84	Integrated Photocell
FT28VCIW	120V	23.6	2200	93.2	3000K, 400K, 5000K	84	Integrated Photocell
MST28VCB	120V	23.6	2200	93.2	3000K, 400K, 5000K	84	Motion Sensor
MST28VCW	120V	23.6	2200	93.2	3000K, 400K, 5000K	84	Motion Sensor