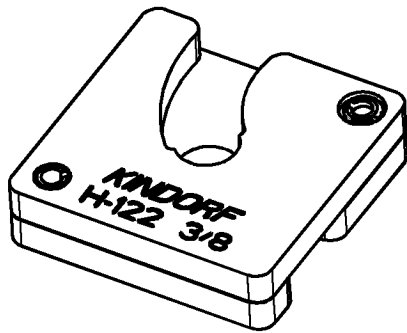
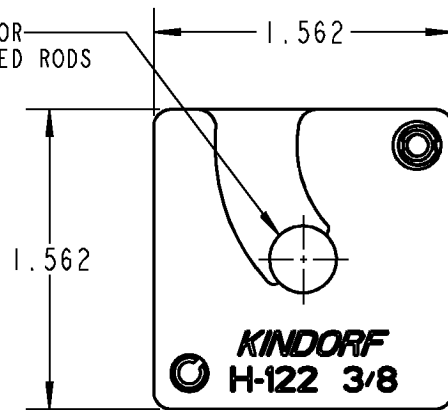


# Kindorf



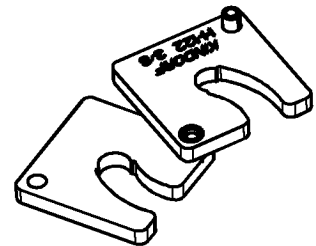
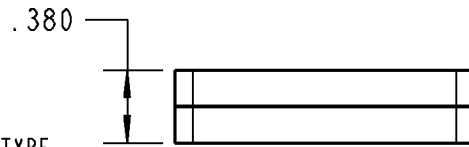
THREAD SIZES AVAILABLE FOR  
1/4, 3/8, AND 1/2 THREADED RODS



## Trapnut® Strut Fastener

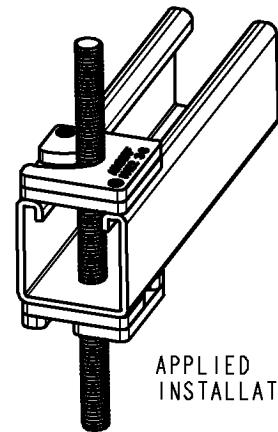
### FEATURES:

1. MADE FROM HOT ROLLED STEEL OR 316 STAINLESS STEEL.
2. AVAILABLE IN GALV-KROM® OR SILVERGALV® (EG) FOR HR STEEL TYPE.
3. UNIQUE SCISSOR ACTION CLOSES AT ANY DESIRED POSITION ON THE THREADED ROD.
4. IDEAL FOR RETRO-FIT APPLICATIONS WHERE EXISTING ROD ENDS ARE NOT ACCESSIBLE.
5. FUNCTIONS AS A HEX NUT AND SQUARE WASHER COMBINATION WHICH REDUCES THE NUMBER OF COMPONENTS NEEDED FOR INSTALLATION.



FULLY OPENED POSITION

CAT. NO.	DESCRIPTION	ROD SIZE	THREAD SIZE	DESIGN LOAD (LBS.)
H 122 1/4	1/4" GALV-KROM®	1/4	1/4"-20 UNC	150
H 122 3/8	3/8" GALV-KROM®	3/8	3/8"-16 UNC	590
H 122 1/2	1/2" GALV-KROM®	1/2	1/2"-13 UNC	850
H 122 1/4 EG	1/4" SILVERGALV®	1/4	1/4"-20 UNC	150
H 122 3/8 EG	3/8" SILVERGALV®	3/8	3/8"-16 UNC	590
H 122 1/2 EG	1/2" SILVERGALV®	1/2	1/2"-13 UNC	850
H 122 1/4 SS6	1/4" TYPE 316 STAINLESS STEEL	1/4	1/4"-20 UNC	150
H 122 3/8 SS6	3/8" TYPE 316 STAINLESS STEEL	3/8	3/8"-16 UNC	590
H 122 1/2 SS6	1/2" TYPE 316 STAINLESS STEEL	1/2	1/2"-13 UNC	850



APPLIED INSTALLATION

### GENERAL NOTES

1. ALL DIMENSIONS ARE FOR REFERENCE ONLY.
2. DIMENSIONS IN BRACKETS [ ] ARE IN METRIC UNITS.

### REVISIONS

\*\*\* SEE ERN ( \*\*\*\* ) FOR APPROVAL SIGNATURES & RELEASE DATE. PROJECT NO: \*\*\*\*

**Thomas & Betts**  
www.tnb.com

DESCRIPTION: **TRAPNUT STRUT FASTENER ASSEMBLY**

ORIGINAL PROJECT NO / ( ERN NO )  
XD55650 / ( 201057 )

SHEET NO:  
1 OF 1

REV. NO:  
-

DRAWING NO:  
**WSD-000524**