

DESCRIPTION

H1499ICAT housing features an integral low voltage transformer. For use with MR16 lamps. The H1499ICAT is for installations where the housing will be in direct contact with insulation. The H1499ICAT AIR-TITE™ design meets restricted air flow requirements.

SPECIFICATION FEATURES

Housing

- Double wall aluminum construction for greater heat dissipation.
- Gasketed to prevent airflow from heated or air conditioned spaces.
- Designed for insulated ceilings in direct contact with insulation. (May also be installed in non-insulated ceilings.)

Plaster Frame

- Galvanized steel construction.
- The inner housing can be removed from plaster frame to provide access to the junction box.
- Plaster frame features include:
 - Patented regressed locking screw positioned for securing hanger bars from below the ceiling.
 - Cutouts for easily crimping hanger bars in position.
 - AIR-TITE gasket is pre-installed.
 - HALO name embossed on plaster frame

SLIDE-N-SIDE™ Junction Box

- Positioned to accommodate straight conduit runs
- Seven 1/2" trade size conduit knockouts with true pry-out slots
- Slide-N-Side wire traps allow non metallic sheathed cable to be installed without tools and without removing knockouts.
- Accepts a wide range of non-metallic (type NM) sheathed cables - the standard cable types used in lighting in both U.S. and Canada.

- Allows wiring connections to be made outside the junction box
- Simply insert the cable directly into the trap after connections are made.
- Accommodates the following standard non-metallic sheathed cable sizes: (US) #14/2, #14/3, #12/2, #12/3 (Canada) #14/2, #14/3, #12/2

"Quick Connect" Connectors

Three quick connect wiring connectors included.

GOT NAIL! Pass-N-Thru™ Bar Hangers

- Pre-installed nail easily installs in regular lumber, engineered lumber and laminated beams.
- Safety and guidance system prevents snagging, ensures smooth straight nail penetration and allows bar hangers to be easily removed if necessary.
- Automatic levelling flange aligns the housing and lets you hold the housing in place with one hand while driving nails.
- Housing can be positioned at any point within 24" joist span.
- Pass-N-Thru feature allows bar hangers to be shortened without removing from plaster frame.
- Score lines allow "tool-less" shortening for 12" joists.
- Bar hangers may be repositioned 90°.
- Integral T-bar clip snaps onto T-bars - no additional clips required

Socket

GU5.3 socket with reflector plate for bi-pin 12V MR-16 lamps.

Catalog #	Type
Project	
Comments	
Prepared by	Date

Low Voltage Transformer

Integral 120V magnetic transformer steps line voltage down to lamp operating voltage.

Thermal Protector

Thermal protector deactivates fixture if overheating occurs due to improper lamping.

Labels

- UL/cUL Listed 1598 Luminaire
- UL/cUL Damp Location Listed
- UL/cUL Listed for Wet Location, covered ceiling - with select trims
- UL/cUL Listed for Feed Through
- UL/cUL listed for Direct Contact with insulation and combustible material

Qualification

IC and AIR-TITE™

Certified under ASTM-E283 and listed UL/cUL 1598. May be used to meet insulated ceiling and restricted air-flow requirements such as:

- Washington State Energy Code
- International Energy Conservation Code (IECC)
- New York State Energy Conservation Construction Code (NY-ECCC)
- State of California Title 24 "Recessed Luminaires in Insulated Ceilings."



H1499ICAT

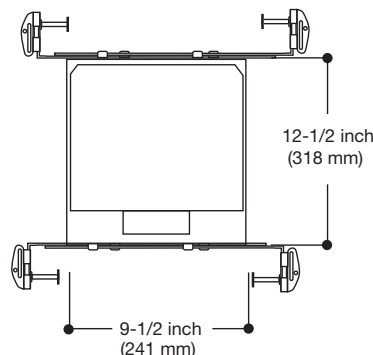
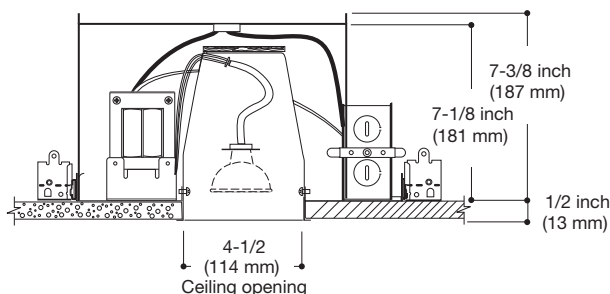
**4" Insulated Ceiling
AIR-TITE™
Low-Voltage Recessed
Housing**

4" TRIMS

**FOR USE IN
INSULATED CEILINGS**

**FOR DIRECT CONTACT
WITH INSULATION**

Transformer Data:
Type: Magnetic
Primary: 120VAC, 60 Hz
Secondary: 11.5 ±0.3V



TRIMS

ORDERING INFORMATION

SAMPLE NUMBER: H1499ICAT-1421W

Order housing and trims separately.

Housing

Trims

H1499ICAT= 4" Insulated Ceiling
Small Aperture AIR-TITE
Low Voltage Housing

REFLECTORS



1421

Reflector Cone - 35° Tilt
50W 12V MR16
1421W=White Reflector with White Trim Ring
1421C=Specular Clear Reflector with White Trim Ring
1421AC=Antique Copper Reflector, Antique Copper Trim Ring
1421H=Haze Reflector with White Trim Ring
1421CG=Champagne Gold Reflector with White Trim Ring
1421RG=Residential Gold Reflector with White Trim Ring
1421MB=Specular Black Reflector with White Trim Ring
1421SN=Satin Nickel Reflector with Satin Nickel Trim Ring
1421TBZ=Tuscan Bronze Reflector with Tuscan Bronze Trim Ring
OD: 5 1/16" (129mm)

ADJUSTABLES



1420

Slot Aperture - 35° Tilt
(Slot - 1 3/8" X 2 1/8")
50W 12V MR16
1420P=White
1420AC=Antique Copper
1420SN=Satin Nickel
1420TBZ=Tuscan Bronze
OD: 5 1/16" (129mm)



1498

Eyeball - 30° Tilt
50W 12V MR16
1498P=White Eyeball, Black Baffle
1498AC=Antique Copper Eyeball, Black Baffle
1498PB=Polished Brass Eyeball, Black Baffle
1498W=White Eyeball, White Baffle
1498BC=Black Chrome Eyeball, Black Baffle
1498SN=Satin Nickel Eyeball, Black Baffle
1498TBZ=Tuscan Bronze Eyeball, Black Baffle
OD: 5-1/16" (129mm)



1497

Adjustable Mirror Trim - 90° Tilt
50W 12V MR16
1497P=White
OD: 5 1/16" (129mm)



1945

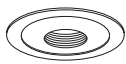
Metropolitan Ice Light
42W 12V MR16
1945=Clear Frosted
1945BLUE=Blue Frosted
OD: 5 5/16" (135mm)



1946

Metropolitan Deco
42W 12V MR16
1946PB=Polished Brass Accent with Green Tint Translucent Rings
1946BC=Black Chrome Accent with Green Tint Translucent Rings
OD: 5-5/8" (143mm)

BAFFLES



1419

1 7/8" Open with Baffle - 35° Tilt
50W 12V MR16
1419P=Black Baffle, White Trim Ring
1419AC=Black Baffle, Antique Copper Trim Ring
1419W=White Baffle, White Trim Ring
1419SN=Black Baffle, Satin Nickel Trim Ring
1421TBZ=Black Baffle, Tuscan Bronze Trim Ring
OD: 5 1/16" (129mm)



1495

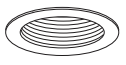
Gimbal Adjustable - 30° Tilt
50W 12V MR16
1495P=Satin White
1495AC=Antique Copper
1495SN=Satin Nickel
1495TBZ=Tuscan Bronze
OD: 5 1/16" (129mm)

SHOWER LIGHT



1951

Regressed Lens Shower Light
50W 12V MR16
1951P=Shower Light, White Trim Ring, Specular Reflector
1951ACS=Shower Light, Antique Copper Trim Ring, Specular Reflector
1951SNS=Shower Light, Satin Nickel Trim Ring, Specular Reflector
1951TBZS=Shower Light, Tuscan Bronze Trim Ring, Specular Reflector
OD: 5 1/16" (129mm)



1493

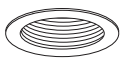
Coilex® Baffle - 35° Tilt
50W 12V MR16
1493P=Black Baffle, White Trim Ring
1493AC=Black Baffle, Antique Copper Trim Ring
1493BC=Black Baffle, Black Chrome Trim Ring
1493PB=Black Baffle, Polished Brass Trim Ring
1493W=White Baffle, White Trim Ring
1493SN=Black Baffle, Satin Nickel Trim Ring
1493TBZ=Black Baffle, Tuscan Bronze Trim Ring
OD: 5 1/16" (129mm)



1496

Retractable Elbow Super Adjustable - 60° Tilt
50W 12V MR16
1496P=White Eyeball and Trim Ring
1496AC=Antique Copper Eyeball and Trim Ring
1496SN=Satin Nickel Eyeball and Trim Ring
1496TBZ=Tuscan Bronze Eyeball and Trim Ring
OD: 5 1/16" (129mm)

Accessories



1453

Metal Baffle - 35° Tilt
50W 12V MR16
1453AC=Antique Copper Baffle, Antique Copper Trim Ring
1453SN=Satin Nickel Baffle, Satin Nickel Trim Ring
1453TBZ=Tuscan Bronze Baffle, Tuscan Bronze Trim Ring
OD: 5 1/16" (129mm)

Mounting Accessories

Filters and Lenses

The following filters and lenses can be substituted for the cover glass supplied for use with MR16 lamps.

Color Filters

- L112=Red Gel Filter
- L114=Ultraviolet Dichroic Filter
- L120=Red Dichroic Filter
- L121=Amber Dichroic Filter
- L122=Yellow Dichroic Filter
- L123=Green Dichroic Filter
- L124=Daylight Blue Dichroic Filter
- L125=Blue Dichroic Filter
- L127=Cosmetic (2700°K) Dichroic Filter
- L121=Yellow Gel Filter
- L121=Amber Gel Filter

Optical Lenses

- L100N=Diffuse Sand Blasted Lens. Provides an even beam spread from MR16 lamps-especially useful in wall washing.
- L111=Soft Focus Lens. Smooths irregular beam pattern while maintaining high controlled illumination levels and beam angles.
- L113=Prismatic Spread Lens. Provides a symmetrical broadening of MR16 lamp beams.
- L115=Fans the MR16 beam to produce a wide rectangular illumination pattern.

Note: Specifications and Dimensions subject to change without notice.
Visit our web site at www.cooperlighting.com