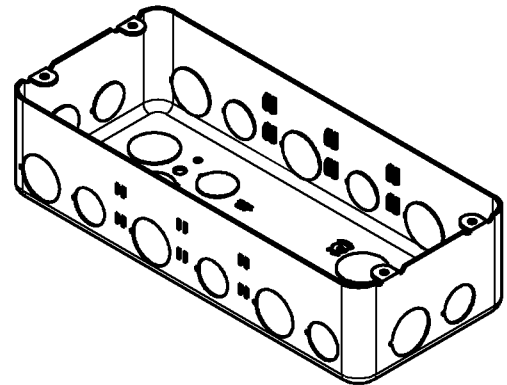
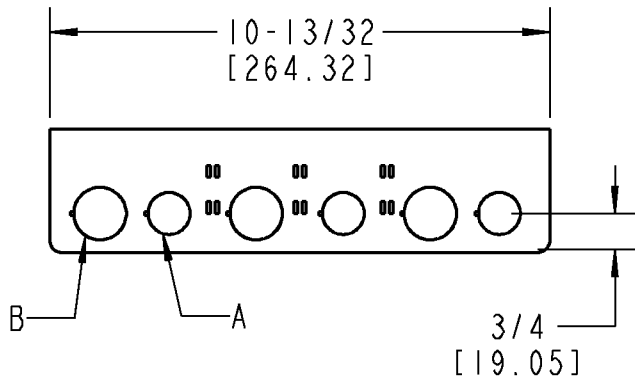
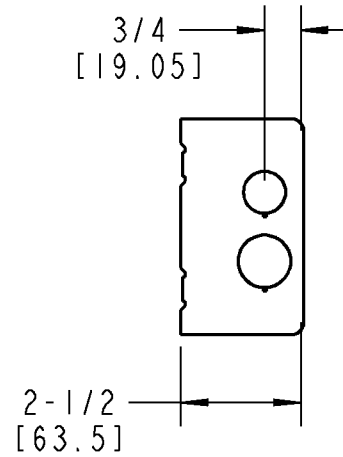
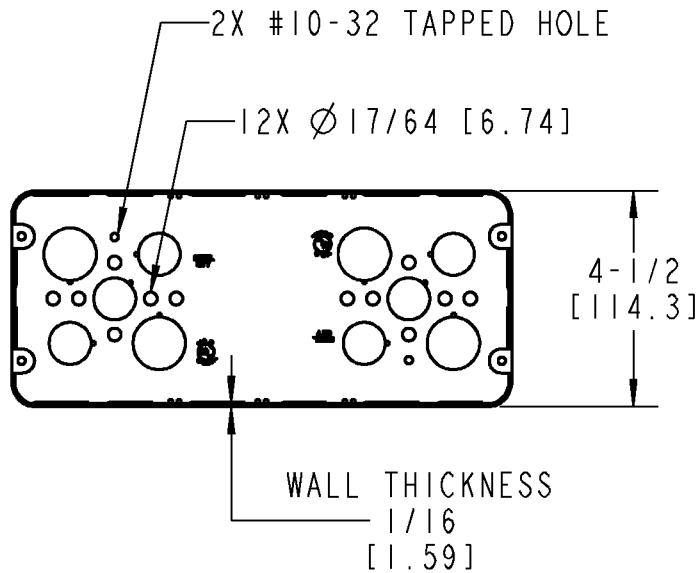




Thomas & Betts



CAT. NO. H4BD 1/2 3/4

110.0 CU. IN.
[1802.6 CU. CM]

KNOCKOUTS					
CALLOUT	SIZE	SIDES	ENDS	BOTTOM	TOTAL
A	1/2	6	2	6	14
B	3/4	6	2	4	12

GENERAL NOTES

- ALL DIMENSIONS ARE FOR REFERENCE ONLY.
- DIMENSIONS IN BRACKETS [] ARE IN METRIC UNITS.

REVISIONS

- | | |
|---|--|
| 0 | SEE ERN (****) FOR APPROVAL SIGNATURES & RELEASE DATE.
PROJECT NO: **** |
|---|--|

www.tnb.com

Thomas & Betts
A Member of the ABB Group

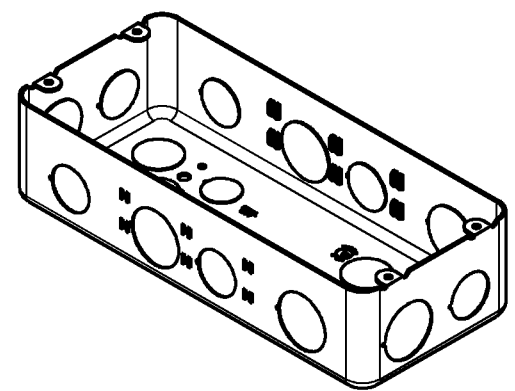
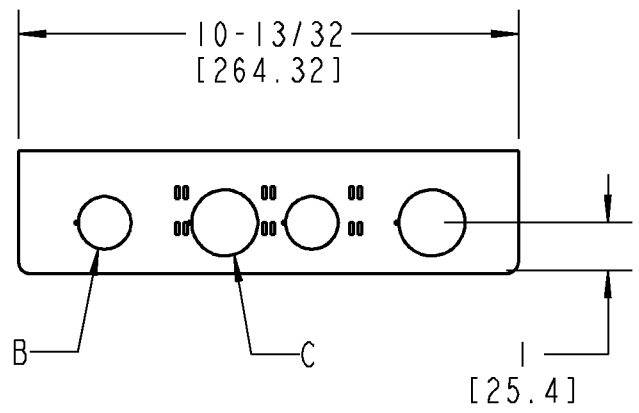
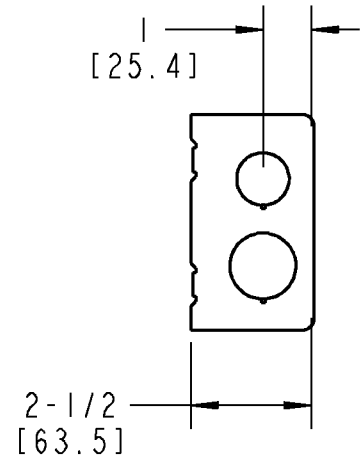
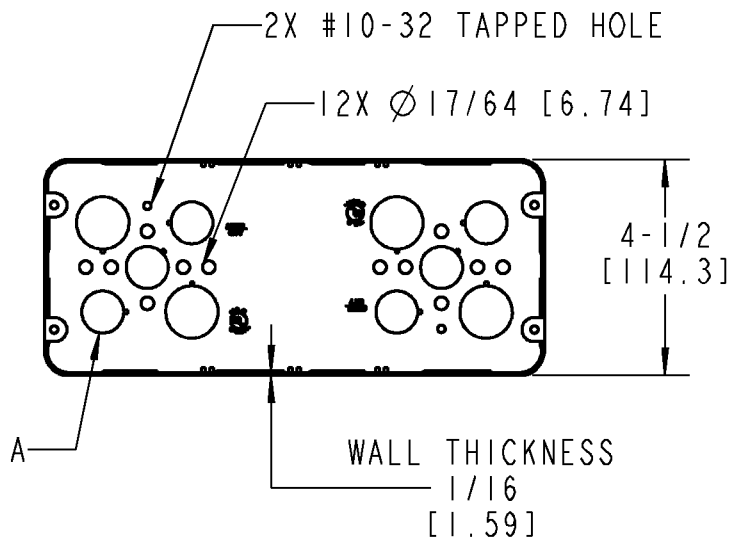
DESCRIPTION: **H4BD 3/4 1, H4BD 1/2 3/4 GANG BOX**

ORIGINAL PROJECT NO / (ERN NO)
NM400387 / (2015599)

SHEET NO:
1 OF 2

REV. NO:
0

DRAWING NO:
WSD-001284



CAT. NO. H4BD 3/4 1

110.0 CU. IN.
[1802.6 CU. CM]

KNOCKOUTS					
CALLOUT	SIZE	SIDES	ENDS	BOTTOM	TOTAL
A	1/2	-	-	6	6
B	3/4	4	2	4	10
C	1	4	2	-	6

Thomas & Betts
A Member of the ABB Group

www.tnb.com

DESCRIPTION: **H4BD 3/4 1, H4BD 1/2 3/4
GANG BOX**

SHEET NO: 2 OF 2	REV. NO: 0	DRAWING NO: WSD-001284
----------------------------	----------------------	----------------------------------

THIS DRAWING IS INTENDED FOR DESCRIPTIVE PURPOSES ONLY. AND THE RIGHT IS RESERVED TO DEVIATE FROM ANY OF THE DETAILS SHOWN HEREON. COPYRIGHT THOMAS & BETTS CORPORATION. ALL RIGHTS RESERVED. PROPRIETARY AND CONFIDENTIAL.