

# Twist-Lock® Devices

## 15A, 277V AC, 2 Pole, 3 Wire Grounding

### Receptacle

#### Features

- Reinforced thermoplastic construction
- Single piece, all brass contacts
- All terminals are back and side wired
- Brass mounting strap with stainless steel grounding clip

#### Ordering Information

Description	Device Color	UPC	Catalog Number
Single, flush, black	Black	783585236872	HBL4760

#### Listings

Listed to UL 498  
 Fed. Spec. W-C-596  
 Certified to CSA C22.2 No.42

#### Specifications

Face	RTP
Base	RTP
Contacts	Brass
Clamp	Brass
Ground Contact	Brass
Terminal Screws	Brass

#### Performance

##### Electrical

Current Interrupting Certified for current interrupting at full rated current  
 Dielectric Voltage Withstands 2,000V minimum

##### Mechanical

Terminal Accommodation #18 AWG - #10 AWG solid or stranded copper wire only.

Terminal Identification Terminals identified in accordance with UL 498

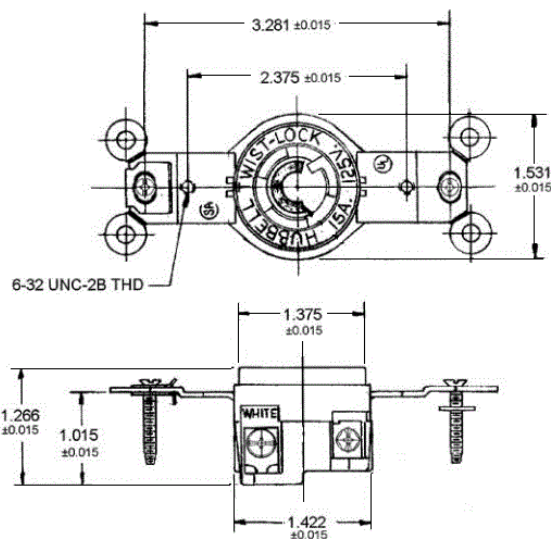
##### Environmental

Flammability HB or better per UL94/CSA 22.2 No.0.17  
 Operating Temperatures Maximum Continuous 75°C; Minimum -40°C (w/o impact)

# HUBBELL



15A 277V AC  
 NEMA L7-15R  
 UL/CSA  
 2 HP



#### Online Resources

Customer Use Drawing  
 eCatalog  
 Installation Instructions

#### Accessories

Plug  
 Wallplate or Weatherproof Cover

HBL4770C  
 1.40" Opening

Dimensions in Inches (mm)

Hubbell Wiring Device-Kellems • Hubbell Incorporated (Delaware) • 40 Waterview Drive • Shelton, CT 06484

Phone (800) 288-6000 • Fax (800) 255-1031 • Specifications subject to change without notice.

