

# Straight Blade Devices 30A, 250V, 2 Pole, 3 Wire Grounding Single Receptacle

# HUBBELL

## Features

- Sequenced contacts assure protection
- Catalog number, ratings and certifications molded in face
- One piece design power and ground contacts

## Ordering Information

Description	Device Color	UPC	Catalog Number
Receptacle, black RTP	Black	783585015231	HBL9330

## Listings

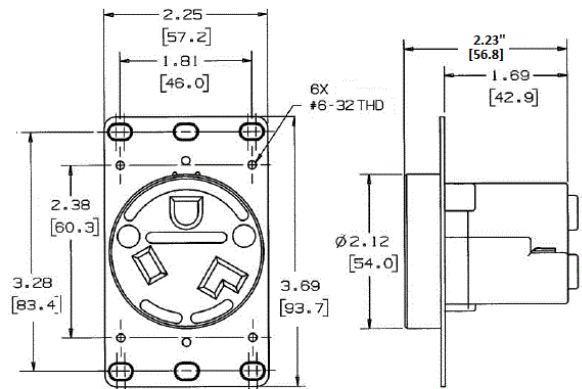
UL Listed File E2186  
CSA Certified  
NEMA® WD-6 Compliant

## Specifications

Housing	Reinforced Thermoplastic Polyester
Mounting Plate	.062 in. (1.5) Pre-Plated Steel
Contacts	Brass
Ground Shunt	Brass
Box Terminals	Copper

## Performance

<b>Electrical</b>	
Current Interrupting	Certified for current interrupting at full rated current
Dielectric Voltage	Withstands 2,000V minimum
<b>Mechanical</b>	
Product Identification	Ratings are a permanent part of the device
Terminal Accommodation	#12 AWG through #4 AWG copper wire only
Terminal Identification	Terminals identified in accordance with UL 498 and CSA
<b>Environmental</b>	
Flammability	UL 94 V-0
IP Suitability	IP20
Operating Temperatures	Maximum continuous 75°C; minimum -40°C (w/o impact)



## Accessories

Wallplate or Weatherproof Cover 2.16" Opening

## Resources

Customer Use Drawing  
eCatalog

Dimensions in Inches (mm)

Hubbell Wiring Device-Kellems • Hubbell Incorporated (Delaware) • 40 Waterview Drive • Shelton, CT 06484

Phone (800) 288-6000 • Fax (800) 255-1031 • Specifications subject to change without notice.

