

# HID-40-H-EX39-850-BYP-WP



UPC: 0019813749013

Color: White

Weight: 2.1 lbs

Project:

Type:

Prepared By:

Date:

## Technical Specifications

### Performance

**Product Type:**

HID Replacement

**Input Wattage:**

40W

**Wattage Equivalency:**

200W HID

**Lumens:**

6,200lm

**Efficacy:**

155lm/W

### Construction

**Shape:**

Wall Pack

# HID-40-H-EX39-850-BYP-WP



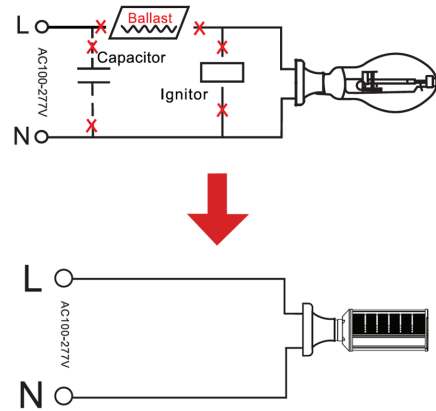
## Minimum Compartment Size

| Length x Width x Height [in] | Lamp Quantity |
|------------------------------|---------------|
| 8                            | 1             |

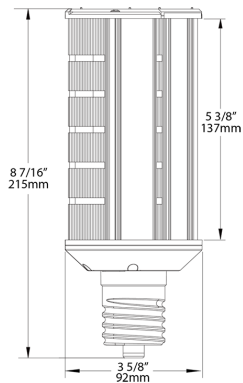
## Case and Pallet Dimensions

|        | QTY | LENGTH (in) | WIDTH (in) | HEIGHT (in) |
|--------|-----|-------------|------------|-------------|
| CASE   | 12  | 16.7        | 12.7       | 11          |
| PALLET | 288 | 27.3        | 35.4       | 37          |

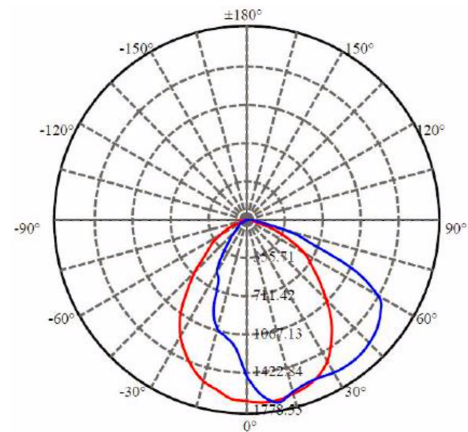
## Wiring Diagram



## Dimension



## Light Distribution



## Features

- Replacement for traditional Metal Halide or High Pressure Sodium HID Lamps
- Ideal for wall pack retrofit applications
- Optimized for Horizontal Applications with Directional Light Output and Rotatable base
- Active Cooling: Internal sensor overheat and engaged will automatically reduce output to 70% rated wattage until the sensor cools and will light up again to 100%
- Integral Driver enables lamp to be wired directly to line voltage without need for an external driver or ballast
- Rated for use in enclosed and open fixtures in dry or damp locations
- 4kV surge protection built in
- 50,000 hour Lifespan
- Environmentally friendly, no mercury used
- UL Listed, UL Classified, DLC Listed

# HID-40-H-EX39-850-BYP-WP



Non-Dimmable

5 Year No Compromise Warranty

## Ordering Matrix

| Family |   | Wattage                                      |   | Orientation    |   | Base Type                |   | CRI/Color Temp                            |   | Installation Type |   | Lamp Type      |
|--------|---|--|---|----------------|---|--------------------------|---|---|---|-------------------|---|----------------|
| HID    | - | 40   | - | H              | - | EX39                     | - | 850                                       | - | BYP               | - | WP             |
|        |   | 20 = 20W<br>30 = 30W<br>40 = 40W<br>60 = 60W |   | H = Horizontal |   | EX39 = EX39<br>E26 = E26 |   | 850 = 5000K<br>840 = 4000K<br>830 = 3000K |   | BYP = Bypass      |   | WP = Wall Pack |

# HID-40-H-EX39-850-BYP-WP



UPC: 0019813749013

Color: White

Weight: 2.1 lbs

|              |       |
|--------------|-------|
| Project:     | Type: |
| Prepared By: | Date: |

## Technical Specifications

### Performance

**Product Type:**

HID Replacement

**Input Wattage:**

40W

**Wattage Equivalency:**

200W HID

**Lumens:**

6,200lm

**Efficacy:**

155lm/W

### Construction

**Shape:**

Wall Pack

# HID-40-H-EX39-850-BYP-WP



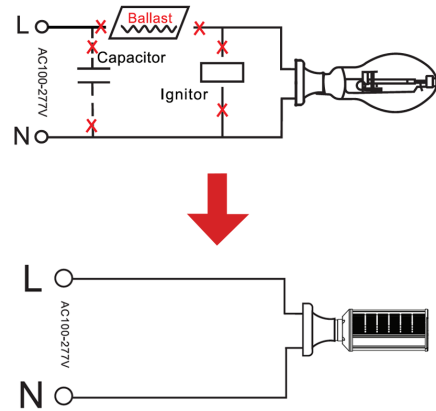
## Minimum Compartment Size

| Length x Width x Height [in] | Lamp Quantity |
|------------------------------|---------------|
| 8                            | 1             |

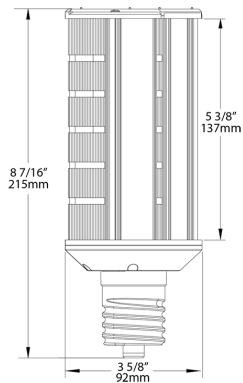
## Case and Pallet Dimensions

|        | QTY | LENGTH (in) | WIDTH (in) | HEIGHT (in) |
|--------|-----|-------------|------------|-------------|
| CASE   | 12  | 16.7        | 12.7       | 11          |
| PALLET | 288 | 27.3        | 35.4       | 37          |

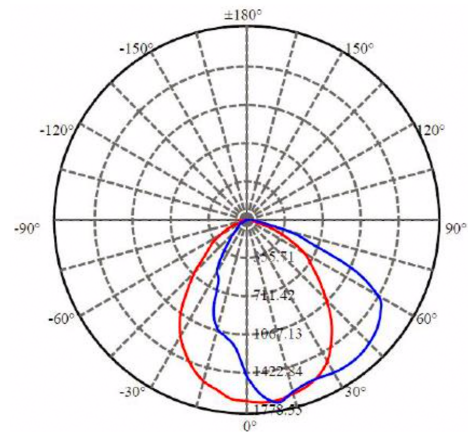
## Wiring Diagram



## Dimension



## Light Distribution



## Features

- Replacement for traditional Metal Halide or High Pressure Sodium HID Lamps
- Ideal for wall pack retrofit applications
- Optimized for Horizontal Applications with Directional Light Output and Rotatable base
- Active Cooling: Internal sensor overheat and engaged will automatically reduce output to 70% rated wattage until the sensor cools and will light up again to 100%
- Integral Driver enables lamp to be wired directly to line voltage without need for an external driver or ballast
- Rated for use in enclosed and open fixtures in dry or damp locations
- 4kV surge protection built in
- 50,000 hour Lifespan
- Environmentally friendly, no mercury used
- UL Listed, UL Classified, DLC Listed

# HID-40-H-EX39-850-BYP-WP



Non-Dimmable

5 Year No Compromise Warranty

## Ordering Matrix

| Family |   | Wattage  |   | Orientation    |   | Base Type   |   | CRI/Color Temp |   | Installation Type |   | Lamp Type      |
|--------|---|----------|---|----------------|---|-------------|---|----------------|---|-------------------|---|----------------|
| HID    | - | 40       | - | H              | - | EX39        | - | 850            | - | BYP               | - | WP             |
|        |   | 20 = 20W |   | H = Horizontal |   | EX39 = EX39 |   | 850 = 5000K    |   | BYP = Bypass      |   | WP = Wall Pack |
|        |   | 30 = 30W |   |                |   | E26 = E26   |   | 840 = 4000K    |   |                   |   |                |
|        |   | 40 = 40W |   |                |   |             |   | 830 = 3000K    |   |                   |   |                |
|        |   | 60 = 60W |   |                |   |             |   |                |   |                   |   |                |