



# Optanium Step Dim

## OPTANIUM IOP2S28115SCSD35M

Philips Advance Optanium ballasts with step-dim capability for T5 and T8 fluorescent lamps represent an affordable, energy-efficient, and versatile lighting solution designed to meet energy codes such as California's Title 24 and ASHRAE 90.1-2010 that require end users to reduce lighting power consumption by 50%. Operating from any line voltage switching device, the ballast's programmed-start circuitry provides extended lamp life in frequent switching applications like those associated with the use of occupancy sensors or motion detectors making this product the sustainable choice for many commercial applications.

### Product data

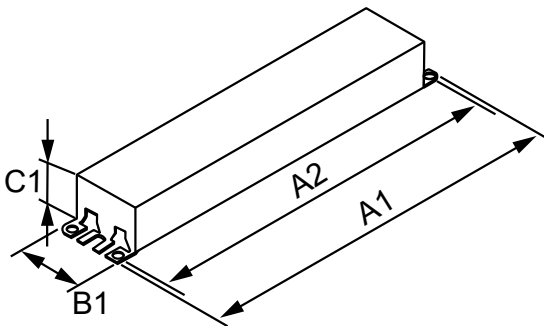
General Information		Input Current (Min)	
Lamp Type	F28T5		0.26 A
Number Of Lamps	1/2 piece/unit	Input Power (Nom)	72-71 W
Ballast Type	Electronic Fluorescent	Rated Lamp Power	28 W
Base Model	IOP2S28115SCSD	<b>Wiring</b>	
Suitable For Outdoor Use	Yes	Color Input Terminals	No terminals
Automatic Restart	Yes	Color Output Terminals	No terminals
<b>Operating and Electrical</b>		Wire Striplength	0.50/0.375 mm
Input Voltage	120 to 277 V	Lamp Connection	Series
Input Frequency	50 to 60 Hz	Wire Length By Color	See data sheet
Total Harmonic Distortion USA	10 %	Wire Gauge (Nom)	18AWG mm
Ignition Method	Programmed Start	Wire Type	Solid
Crestfactor (Nom)	1.6	Remote Wiring Configuration Allowed	Yes
Ignition Time (Nom)	1.5 s	Tandem Wiring Configuration Allowed	Yes
Ballast Factor (Nom)	1.15	Through Wiring Configuration Allowed	Yes
Power Factor (Nom)	0.98	Max Ballast-Lamp Distance Remote Wiring	7'
Input Current (Max)	0.60 A	Max Ballast-Lamp Distance Tandem Wiring	Any = 7'
		Max Ballast-Lamp Distance Through Wiring	Any = 7'

## Optanium Step Dim

Connector Type	No connector
<b>Temperature</b>	
T-Case Maximum (Nom)	70 °C
<b>Mechanical and Housing</b>	
Housing Material	Metal
Housing	SC
Housing Dimensions	9.5" x 1.7" x 1.18"
<b>Approval and Application</b>	
EMC Immunity Standard	FCC Non-Consumer
Approval Marks	CSA certificate UL certificate CEC Listing RoHS Compliant

Hum And Noise Level	A
UL Recognized	No
<b>Product Data</b>	
Order product name	OPTANIUM IOP2S28115SCSD35M
EAN/UPC - Product	781087057650
Order code	913710815002
Numerator - Quantity Per Pack	1
Numerator - Packs per outer box	20
Material Nr. (12NC)	913710815002
Net Weight (Piece)	404.000 g

### Dimensional drawing



ELE BALLAST (2) F28T5 120-277V

Product	A1	A2	B1	C1
OPTANIUM IOP2S28115SCSD35M	9.5 in	8.90 in	1.7 in	1.18 in

