



Optanium T8 Programmed Start

OPTANIUM ELE BALLAST (4) F32T8 120-277V

Philips Advance Optanium high-efficiency electronic ballasts are engineered to optimize lighting performance and maximize energy savings. These ballasts provide an unparalleled package of features and benefits to support the wide variety of T8 fluorescent lamps out in the market place.

Product data

General Information	
Lamp Type	F32T8
Number of Lamps	3/4 piece/unit
Ballast Type	Electronic Fluorescent
Base Model	IOP4PSP32SC
Suitable For Outdoor Use	Yes
Automatic Restart	Yes
Operating and Electrical	
Input Voltage	120 to 277 V
Input Frequency	50 to 60 Hz
Max THD	10 %
Starting Method	Programmed Start
Lamp Current Crest Factor (Nom)	1.6
Ignition Time (Nom)	1.5 s
Ballast Factor (Nom)	0.88
Power Factor (Nom)	0.98
Input Current (Operating) (Max)	0.93 A
Input Current (Operating) (Min)	0.40 A

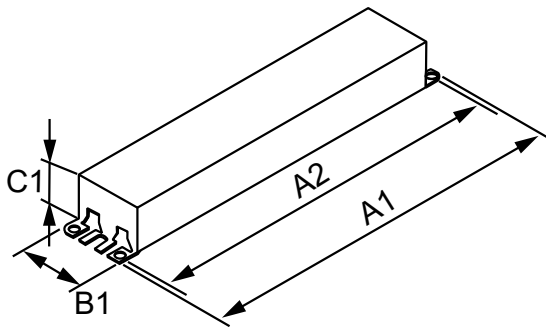
Input Power (Nom)	110-109 W
Rated Lamp Watts	32 W
Wiring	
Color Input Terminals	No terminals
Color Output Terminals	No terminals
Wire Striplength	0.50/0.375 mm
Lamp Connection	Parallel
Wire Length By Color	See data sheet
Wire Gauge (Nom)	18AWG mm
Wire Type	Solid
Remote Wiring Configuration Allowed	Yes
Tandem Wiring Configuration Allowed	Yes
Through Wiring Configuration Allowed	Yes
Max Ballast-Lamp Distance Remote Wiring	20'
Max Ballast-Lamp Distance Tandem Wiring	Any = 20'
Max Ballast-Lamp Distance Through Wiring	Any = 20'
Connector Type	No connector

Optanium T8 Programmed Start

Temperature	
T-Case Maximum (Nom)	70 °C
Mechanical and Housing	
Housing Material	Metal
Housing	SC
Housing Dimensions	9.5" x 1.7" x 1.18"
Approval and Application	
EMC Immunity Standard	FCC Non-Consumer
Approbation Marks	CSA certificate UL certificate CEC Listing CEE Rated NEMA Premium RoHS Compliant
Sound Rating	A

UL Recognized	No
Product Data	
Order product name	OPTANIUM IOP4PSP32SC35I
EAN/UPC - Product	781087081808
Order code	IOP4PSP32SC35I
Local order code	498824
Numerator - Quantity Per Pack	1
Numerator - Packs per outer box	10
Material Nr. (12NC)	913710894601
Net Weight (Piece)	0.595 kg

Dimensional drawing



ELE BALLAST (4) F32T8 120-277V

Product	A1	A2	B1	C1
OPTANIUM IOP4PSP32SC35I	9.5 in	8.90 in	1.7 in	1.18 in

