



Project: \_\_\_\_\_

Fixture Type: \_\_\_\_\_


Location: \_\_\_\_\_

Contact/Phone: \_\_\_\_\_

# 5" UNIVERSAL IC REMODEL HOUSING

INCANDESCENT LAMPS  
**IC20R**

## PRODUCT DESCRIPTION

IC Air-Loc® Remodel Housing • Energy efficient, sealed housing  
• IC Remodel Housing for remodel application where back side of ceiling is not accessible • Installs through an opening in the ceiling from below • Secured in place by factory installed remodel springs  
• Can be completely covered with insulation • When used with Air-Loc Gasket, stops infiltration and exfiltration of air, reducing heating and cooling costs • Trims shown with Air-Loc symbol  do not require gasket.

## PRODUCT SPECIFICATIONS

**Lamp** Lamp ratings based on trim selected—see page 2.

**Socket** Medium base porcelain with nickel-plated copper screw shell  
• Drop socket with spring to accommodate certain trim installation.

**Trims** Trim selection shown on reverse.

**Labels** UL listed for through-branch wiring, damp locations and IP  
• Product thermally protected against improper use of lamps  
• Union made • UL Listed/CSA certified • Trims 210N and 212N are wet location approved for covered ceiling applications  
• Trims 215 and 216 are wet location approved for covered ceiling applications, **when used with outdoor rated lamps.**

**Testing** All reports are based on published industry procedures; field performance may differ from laboratory performance.

Specifications subject to change without notice.

## INSTALLATION

**Junction Box** Pre-wired junction box, UL listed/CSA certified for through-branch wiring maximum 4 No. 12 AWG 90° C branch circuit conductors (2 in, 2 out) • Junction box provided with removable access plate, (5) ½" knockouts, (4) Non-metallic sheathed cable connectors and ground wire • Knockouts equipped with pryout slots.

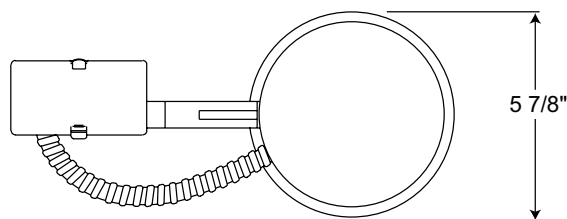
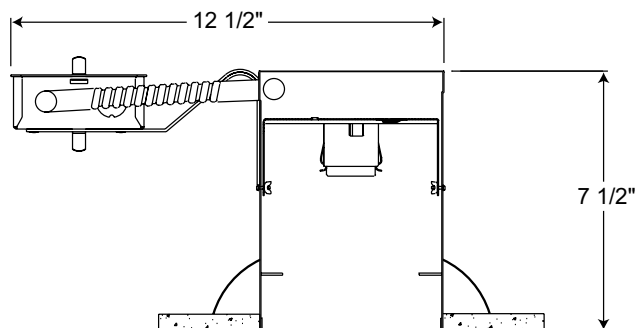
**Housing** IC housing, .032" aluminum sealed for Air-Loc Compliance • Remodel springs accommodate up to 1 ½" ceiling thickness.

## PRODUCT CODES

Catalog Number	Input Voltage	Lamp Rating
IC20R 5" Incandescent Remodel IC Housing	120V	A19/BR30/PAR20/PAR30/PAR30L/R20/R30 (See page 2 for max. trim rating)

Housing and trim can be ordered together or separate, but will always ship separately.

## DIMENSIONS



5 1/2" CEILING CUTOUT

## Accessories

Catalog Number	Description
ALGSR	Air-Loc Gasket

To order, specify catalog number.

# 5" UNIVERSAL IC REMODEL HOUSING

## INCANDESCENT LAMPS IC20R

### TRIMS/LAMPS

	Catalog Number	Description	Max. Lamp Rating
**	205 BWH 205 WWH 205 BSC 205 BBRZ	Black Baffle, White Trim Ring White Baffle, White Trim Ring Black Baffle, Satin Chrome Trim Ring Black Baffle, Bronze Trim Ring	50W PAR30
**	204 CWH 204 GWH 204 BWH 204 HZWH 204 WWH 204 WHZWH 204 WHZBRZ	Clear Alzak® Cone, White Trim Ring Gold Alzak® Cone, White Trim Ring Black Alzak® Cone, White Trim Ring Haze Cone, White Trim Ring Gloss White Cone, White Trim Ring Wheat Haze Cone, White Trim Ring Wheat Haze Cone, Bronze Trim Ring	50W PAR30
**	206 CWH 206 BWH 206 HZWH 206 WHZWH 206 WHZBRZ	Clear Alzak® Cone, White Trim Ring Black Cone, White Trim Ring Haze Cone, White Trim Ring Wheat Haze Cone, White Trim Ring Wheat Haze Cone, Bronze Trim Ring	50W PAR30
**	207 CWH 207 BWH 207 WWH 207 HZWH	Clear Alzak® Cone, White Trim Ring Black Cone, White Trim Ring White Cone, White Trim Ring Haze Cone, White Trim Ring	50W PAR20/R20
<b>AIR-LOC</b>	215 BWH ◆◆ 215 WWH ◆◆	Black Baffle, White Trim Ring White Baffle, White Trim Ring	65W BR30, 75W PAR30L, 75W PAR30 w/Socket Extender
<b>AIR-LOC</b>	216 CWH ◆◆ 216 WWH ◆◆ 216 HZWH ◆◆ 216 WHZWH ◆◆	Clear Alzak® Cone, White Trim Ring White Cone, White Trim Ring Haze Cone, White Trim Ring Wheat Haze Cone, White Trim Ring	65W BR30, 75W PAR30L, 75W PAR30 w/Socket Extender
	688 BWH 688 WWH	Black Baffle, White Trim Ring White Baffle, White Trim Ring	50W PAR30
	689 CWH	Clear Alzak® Cone, White Trim Ring	50W PAR30
<b>AIR-LOC</b>	210N WH ◆	Lensed Flat Glass Shower Trim, White	40W A19
<b>AIR-LOC</b>	212N WH ◆	Frosted Lens with Clear Center Trim, White	40W A15, 50W PAR30

Trim Size: 6¼" O.D.

Alzak is a registered trademark of Alcoa Corp.

Note: In Canada when insulation is present,  
Type IC fixtures must be used.

**AIR-LOC** JUNO IC housings meet IECC Energy Code requirements per ASTM E283.

Air-Loc® rated trims are pre-gasketed for minimum air leakage with IC housings.

◆ UL Listed for use in wet location.

◆◆ UL Listed for use in wet location with outdoor rated lamp.

\*\* NOTE: TR5 Trim Ring compatible with 204, 205, 206, 207 trims.

Housing and trim can be ordered together or separate, but will always ship separately.