



SmartMate

SMARTMATE ELE BALLAST (1) 40W CFL (4-PIN) 120-277V

Offering maximum versatility, the Philips Advance family of SmartMate ballasts for 4-pin compact fluorescent lamps drive a broad range of quad and triple-tube, circline, 2D, and long twin-tube lamps. SmartMate ballasts' energy efficient design, compact and lightweight housing, and user-friendly features make these ballasts an ideal choice for fixture manufacturers, retrofitters, and MRO replacement.

Product data

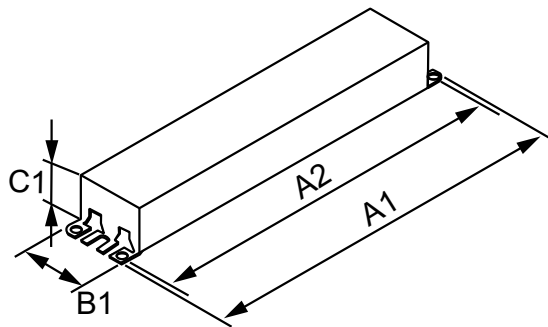
General Information	
Lamp Type	FT40W/2G11
Number of Lamps	1 piece/unit
Ballast Type	Electronic Fluorescent
Base Model	ICN1TTP40SC
Suitable For Outdoor Use	Yes
Automatic Restart	Yes
Operating and Electrical	
Input Voltage	120 to 277 V
Input Frequency	50 to 60 Hz
Max THD	10 %
Power (Rated) (Nom)	40 W
Starting Method	Instant Start
Lamp Current Crest Factor (Nom)	1.7
Ignition Time (Nom)	0.1 s
Ballast Factor (Nom)	0.9
Power Factor (Nom)	0.98
Input Current (Operating) (Max)	0.33 A
Input Current (Operating) (Min)	0.14 A

Input Power (Nom)	39-38 W
Rated Lamp Watts	40W W
Wiring	
Color Input Terminals	No terminals
Color Output Terminals	No terminals
Wire Striplength	0.50/0.375 mm
Lamp Connection	Parallel
Wire Length By Color	See data sheet
Wire Gauge (Nom)	18AWG mm
Wire Type	Solid
Remote Wiring Configuration Allowed	Yes
Tandem Wiring Configuration Allowed	No
Through Wiring Configuration Allowed	No
Max Ballast-Lamp Distance Remote Wiring	20'
Max Ballast-Lamp Distance Tandem Wiring	NA
Max Ballast-Lamp Distance Through Wiring	NA
Connector Type	No connector

Temperature	
T-Case Maximum (Nom)	70 °C
Mechanical and Housing	
Housing Material	Metal
Housing	SC
Housing Dimensions	9.5" x 1.7" x 1.18"
Approval and Application	
EMC Immunity Standard	FCC Non-Consumer
Approbation Marks	CSA certificate UL certificate CEC Listing RoHS Compliant
Sound Rating	A

UL Recognized	No
Product Data	
Order product name	SMARTMATE ICN1TTP40SC35I
EAN/UPC - Product	781087065433
Order code	ICN1TTP40SC35I
Numerator - Quantity Per Pack	1
Numerator - Packs per outer box	10
Material Nr. (12NC)	913710835601
Net Weight (Piece)	0.404 kg

Dimensional drawing



ELE BALLAST (1) 40W CFL (4-PIN) 120-277V

Product	A1	A2	B1	C1
SMARTMATE ICN1TTP40SC35I	9.5 in	8.90 in	1.7 in	1.18 in

