



ELLIOTT ELECTRIC SUPPLY

We Deliver...Lower Cost, Quality Products, & Personal Service

3804 South Street
75964-7263, TX Nacogdoches
Phone: 936-569-7941
Fax: 936-560-4685



ICN2P32N35I 2-F32T8 120/277V Electronic Ballast *Advance By Signify*

Catalog Number	ICN2P32N35I
Manufacturer	Advance By Signify
Description	Fluorescent Ballast, Instant, 32 W, 120 to 277 V Ac, 0.49 A, Non Dimmable, 2 Lamps, 9.5 In Length, 1.3 In Width, 1 In Height, 0.89 Ballast Factor, 0.98 Power Factor, 50 to 60 HZ, Metal Housing Material, 10 % Total Harmonic Distortion, 0.350 KG/Ea
Weight per unit	0.7000 (lbs/each)
Product Category	Electronic Linear Fluorescent

Features

Ballast Type	Electronic Fluorescent
Lamp Type	T8 RAPID START
Output Type	FIXED

Descriptions

Description	2-F32T8 120/277V ELECTRONIC BALLAST
-------------	-------------------------------------

Manufacturer Information

Brand	Signify Electronics
GTIN	00781087069127
UPC	781087069127

Taxonomies, Classifications, and Categories

Category Description	ELECTRONIC BALLAST
----------------------	--------------------

Packaging

Carton	1
Package	10
Weight Per each	0.7



Centium T8 Instant Start

CENTIUM ICN2P32N35I

Reliable and energy efficient Philips Advance's Centium commercial grade specifications, plus added benefits of lamp striation reduction technology.

Product data

General Information	
Lamp Type	F32T8
Number of Lamps	1/2 piece/unit
Ballast Type	Electronic Fluorescent
Base Model	ICN2P32N
Suitable For Outdoor Use	Yes
Automatic Restart	Yes
Operating and Electrical	
Input Voltage	120 to 277 V
Input Frequency	50 to 60 Hz
Total Harmonic Distortion USA	10 %
Ignition Method	Instant Start
Crestfactor (Nom)	1.7
Ignition Time (Nom)	0.1 s
Ballast Factor (Nom)	0.89
Power Factor (Nom)	0.98
Input Current (Max)	0.49 A
Input Current (Min)	0.22 A
Input Power (Nom)	56-56 W
Rated Lamp Power	32 W
Wiring	
Color Input Terminals	No terminals
Color Output Terminals	No terminals

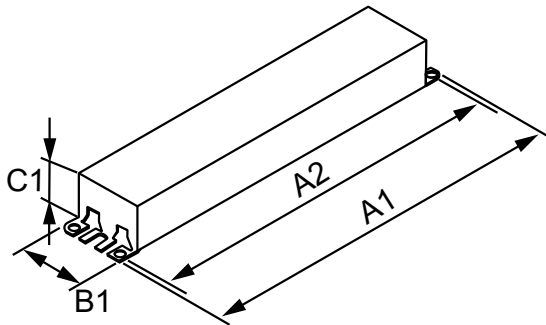
Wire Striplength	0.50/0.375 mm
Lamp Connection	Parallel
Wire Length by Color	See data sheet
Wire Gauge (Nom)	18AWG mm
Wire Type	Solid
Remote Wiring Configuration Allowed	Yes
Tandem Wiring Configuration Allowed	Yes
Through Wiring Configuration Allowed	Yes
Max Ballast-Lamp Distance Remote Wiring	ES = 6' / Standard = 20'
Max Ballast-Lamp Distance Tandem Wiring	ES = 6' / Standard = 20'
Max Ballast-Lamp Distance Through Wiring	ES = 6' / Standard = 20'
Connector Type	No connector
Temperature	
T-Case Maximum (Nom)	70 °C
Mechanical and Housing	
Housing Material	Metal
Housing	N
Housing Dimensions	9.5" x 1.3" x 1.0"
Approval and Application	
EMC Immunity Standard	FCC Non-Consumer

Centium T8 Instant Start

Approval Marks	CSA certificate UL certificate CEC Listing CEE Rated CSA E NEMA Premium NOM certificate RoHS Compliant
Hum And Noise Level	A
UL Recognized	No
Product Data	
Order product name	CENTIUM ICN2P32N35I

EAN/UPC - Product	781087069127
Order code	913710842701
Numerator - Quantity Per Pack	1
Numerator - Packs per outer box	10
Material Nr. (12NC)	913710842701
Net Weight (Piece)	0.350 kg

Dimensional drawing



ELE BALLAST (2) F32T8 120-277V

Product	A1	A2	B1	C1
CENTIUM ICN2P32N35I	9.50 in	8.90 in	1.30 in	1.00 in

