



# Centium T8 Instant Start

## CENTIUM ICN4P32N35I

Reliable and energy efficient Philips Advance's Centium commercial grade specifications, plus added benefits of lamp striation reduction technology.

### Product data

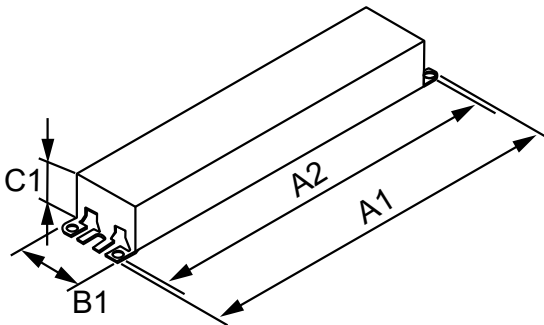
General Information		Color Output Terminals	
Lamp Type	F32T8		No terminals
Number Of Lamps	3/4 piece/unit	Wire Striplength	0.50/0.375 mm
Ballast Type	Electronic Fluorescent	Lamp Connection	Parallel
Base Model	ICN4P32N	Wire Length By Color	See data sheet
Suitable For Outdoor Use	Yes	Wire Gauge (Nom)	18AWG mm
Automatic Restart	Yes	Wire Type	Solid
Operating and Electrical		Remote Wiring Configuration Allowed	Yes
Input Voltage	120 to 277 V	Tandem Wiring Configuration Allowed	Yes
Input Frequency	50 to 60 Hz	Through Wiring Configuration Allowed	Yes
Total Harmonic Distortion USA	10 %	Max Ballast-Lamp Distance Remote Wiring	ES = 6' / Standard = 20'
Ignition Method	Instant Start	Max Ballast-Lamp Distance Tandem Wiring	ES = 6' / Standard = 20'
Crestfactor (Nom)	1.7	Max Ballast-Lamp Distance Through Wiring	ES = 6' / Standard = 20'
Ignition Time (Nom)	0.1 s	Connector Type	No connector
Ballast Factor (Nom)	0.89	Temperature	
Power Factor (Nom)	0.98	T-Case Maximum (Nom)	70 °C
Input Current (Max)	0.94 A	Mechanical and Housing	
Input Current (Min)	0.41 A	Housing Material	Metal
Input Power (Nom)	111-111 W	Housing	N
Rated Lamp Power	32 W	Housing Dimensions	9.5" x 1.3" x 1.0"
Wiring		Approval and Application	
Color Input Terminals	No terminals	EMC Immunity Standard	FCC Non-Consumer

## Centium T8 Instant Start

<b>Approval Marks</b>	CSA certificate UL certificate CEC Listing CEE Rated NEMA Premium NOM certificate RoHS Compliant
<b>Hum And Noise Level</b>	A
<b>UL Recognized</b>	No
<b>Product Data</b>	
<b>Order product name</b>	CENTIUM ICN4P32N35I

<b>EAN/UPC - Product</b>	781087091517
<b>Order code</b>	913701220301
<b>Numerator - Quantity Per Pack</b>	1
<b>Numerator - Packs per outer box</b>	10
<b>Material Nr. (12NC)</b>	913701220301
<b>Net Weight (Piece)</b>	0.441 kg

### Dimensional drawing



ELE BALLAST (4) F32T8 120-277V

Product	A1	A2	B1	C1
CENTIUM ICN4P32N35I	9.50 in	8.90 in	1.30 in	1.00 in

