



Centium T8 Instant Start

CENTIUM ELE BALLAST (4) F32T8 120-277V

Reliable and energy efficient Philips Advance's Centium commercial grade specifications, plus added benefits of lamp striation reduction technology.

Product data

General Information		Wiring	
Lamp Type	F32T8	Color Input Terminals	No terminals
Number of Lamps	3/4 piece/unit	Color Output Terminals	No terminals
Ballast Type	Electronic Fluorescent	Wire Striplength	0.50/0.375 mm
Base Model	ICN4P32N	Lamp Connection	Parallel
Suitable For Outdoor Use	Yes	Wire Length by Color	See data sheet
Automatic Restart	Yes	Wire Gauge (Nom)	18AWG mm
		Wire Type	Solid
Operating and Electrical		Remote Wiring Configuration Allowed	Yes
Input Voltage	120 to 277 V	Tandem Wiring Configuration Allowed	Yes
Input Frequency	50 to 60 Hz	Through Wiring Configuration Allowed	Yes
Total Harmonic Distortion USA	10 %	Max Ballast-Lamp Distance Remote Wiring	ES = 6' / Standard = 20'
Ignition Method	Instant Start	Max Ballast-Lamp Distance Tandem Wiring	ES = 6' / Standard = 20'
Crestfactor (Nom)	1.7	Max Ballast-Lamp Distance Through Wiring	ES = 6' / Standard = 20'
Ignition Time (Nom)	0.1 s	Connector Type	No connector
Ballast Factor (Nom)	0.89		
Power Factor (Nom)	0.98	Temperature	
Input Current (Max)	0.94 A	T-Case Maximum (Nom)	70 °C
Input Current (Min)	0.41 A		
Input Power (Nom)	111-111 W	Mechanical and Housing	
Rated Lamp Power	32 W	Housing Material	Metal
		Housing	N

Centium T8 Instant Start

Housing Dimensions	9.5" x 1.3" x 1.0"
--------------------	--------------------

Approval and Application

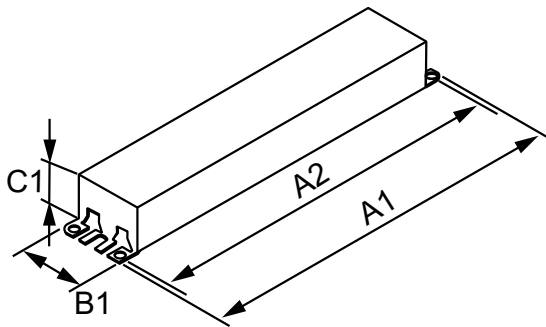
EMC Immunity Standard	FCC Non-Consumer
Approval Marks	CSA certificate UL certificate CEC Listing CEE Rated NEMA Premium NOM certificate RoHS Compliant
Hum And Noise Level	A
UL Recognized	No

Product Data

Order product name	CENTIUM ELE BALLAST (4) F32T8 120-277V
--------------------	---

EAN/UPC - Product	781087091517
Order code	913701220301
Numerator - Quantity Per Pack	1
Numerator - Packs per outer box	10
Material Nr. (12NC)	913701220301
Net Weight (Piece)	0.441 kg

Dimensional drawing



ELE BALLAST (4) F32T8 120-277V

Product	A1	A2	B1	C1
CENTIUM ELE BALLAST (4) F32T8 120-277V	9.50 in	8.90 in	1.30 in	1.00 in

