



# ELLIOTT ELECTRIC SUPPLY

We Deliver...Lower Cost, Quality Products, & Personal Service

3804 South Street  
75964-7263, TX Nacogdoches  
Phone: 936-569-7941  
Fax: 936-560-4685



## IPLD3504 350MCM-#6 4 Pole Polaris Connector Block

*Nsi Industries*

Catalog Number	IPLD3504
Manufacturer	Nsi Industries
Description	Multi-Tap Connector, #6 Awg Conductor Size, 350 MCM Conductor Size, Insulated, Plastisol Insulation Material, Copper/Aluminum Conductor Material, Black Insulation Color, 4 Conductors, -45 °C Operating Temperature, +90 °C Operating Temperature, 4.57 In Overall Length, 600 V, 0.77 LB/Ea
Weight per unit	0.7700 (lbs/each)
Product Category	Large Terminals & Connectors

### Features

Material	Plastisol
Poles	1 IN
Voltage Rating	600 VAC
Wire Size	350 MCM-6 AWG
Wire Type	Class B & C

### Material, Color, and Finish

Color	BLACK
Finish	Plastisol

### Dimensions and Weight

Size	L=4.570 - W=2.410 - H=2.610 IN
------	--------------------------------

### Descriptions

Description	350MCM-#6 4 POLE POLARIS CONNECTOR BLOCK
-------------	--

### Manufacturer Information

GTIN	00662381924025
UPC	662381924025

### Taxonomies, Classifications, and Categories

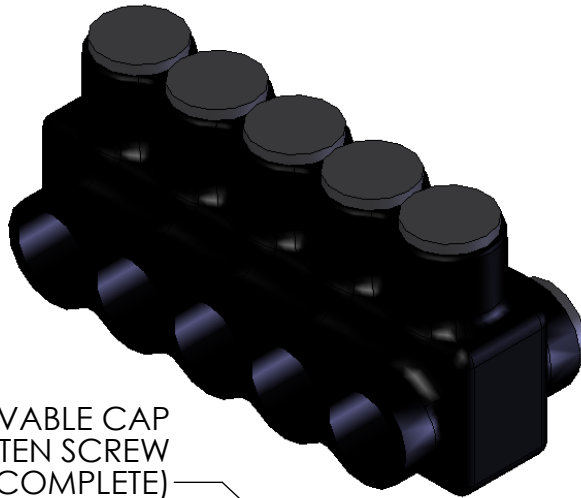
Category Description	SPLIT BOLTS
Type	Double Sided Entry

### Packaging

Carton	3
Weight Per each	0.77

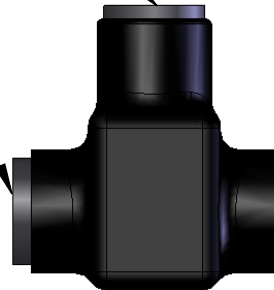
### Uses, Certifications, and Standards

Application	Wire Termination
environmental conditions	90 WTT
standard	cULus
Temperature Rating	90 WTT



REMOVABLE CAP  
TO TIGHTEN SCREW  
(REPLACE WHEN COMPLETE)

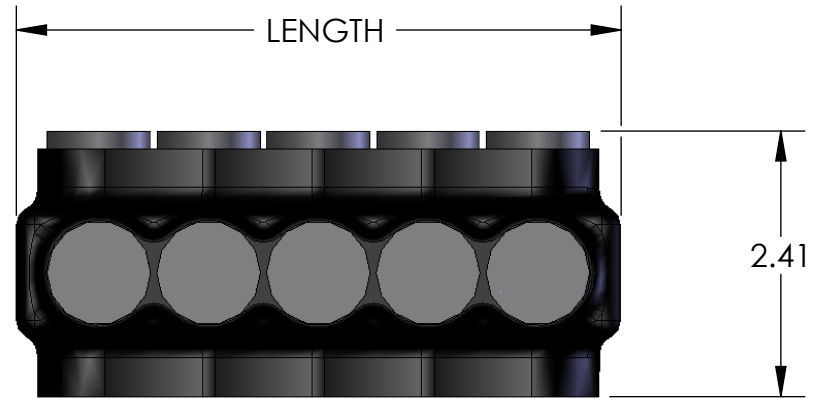
REMOVABLE CAP  
FOR DUAL ENTRY  
(INSERT IN OTHER SIDE)



WIRE ENTRY POINT  
WIRE RANGE: 350MCM - #6AWG  
PRE-FILLED W/ OXIDE INHIBITOR

IPLD350-5 SHOWN

PART NUMBER	NO. OF PORTS	LENGTH
IPLD350-3	3	3.52
IPLD350-4	4	4.57
IPLD350-5	5	5.62
IPLD350-6	6	6.67
IPLD350-8	8	8.77



CONTACT NSi FOR SALES @ 800.321.5847



**POLARIS**  
SALES . CO . INC

PROPRIETARY AND CONFIDENTIAL

11625 PROSPEROUS DRIVE ODESSA, FL 33556

THE INFORMATION CONTAINED IN THIS DRAWING IS THE SOLE PROPERTY OF POLARIS SALES CO. INC. ANY REPRODUCTION IN PART OR AS A WHOLE WITHOUT THE WRITTEN PERMISSION OF POLARIS SALES CO. INC. IS PROHIBITED.

TITLE:

INSULATED DUAL ENTRY  
350 CONNECTOR

NAME DATE  
DRAWN BY L. HILL 8-6-09

DWG. NO.

IPLD350-SERIES

MATERIAL: N/A

SCALE: 1:2

SHEET: 1 OF 1

NOTES:

- CONNECTOR MANUFACTURED FROM 6061-T6 ALUMINUM ALLOY.
- UL LISTED PER UL486A/B SPECIFICATIONS FOR 600V.
- DUAL RATED FOR 90°C COPPER AND/OR ALUMINUM CONDUCTOR.
- COLD TEMPERATURE RATED TO -45°C.
- HIGH DIELECTRIC STRENGTH INSULATION IS ABRASION, CHEMICAL AND UV RESISTANT.