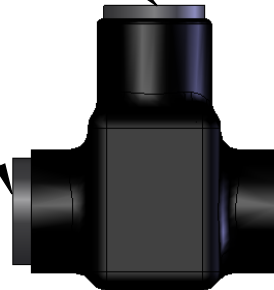


REMOVABLE CAP  
TO TIGHTEN SCREW  
(REPLACE WHEN COMPLETE)

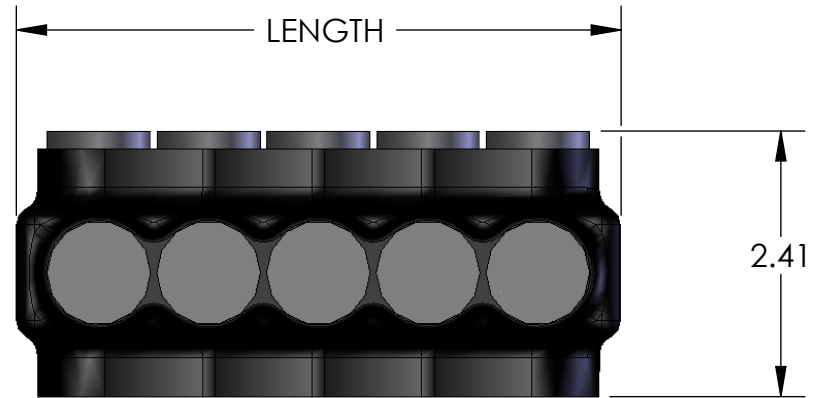
REMOVABLE CAP  
FOR DUAL ENTRY  
(INSERT IN OTHER SIDE)



WIRE ENTRY POINT  
WIRE RANGE: 350MCM - #6AWG  
PRE-FILLED W/ OXIDE INHIBITOR

IPLD350-5 SHOWN

PART NUMBER	NO. OF PORTS	LENGTH
IPLD350-3	3	3.52
IPLD350-4	4	4.57
IPLD350-5	5	5.62
IPLD350-6	6	6.67
IPLD350-8	8	8.77



CONTACT NSi FOR SALES @ 800.321.5847



**POLARIS**  
SALES CO. INC

PROPRIETARY AND CONFIDENTIAL

11625 PROSPEROUS DRIVE ODESSA, FL 33556

THE INFORMATION CONTAINED IN THIS DRAWING IS THE SOLE PROPERTY OF POLARIS SALES CO. INC. ANY REPRODUCTION IN PART OR AS A WHOLE WITHOUT THE WRITTEN PERMISSION OF POLARIS SALES CO. INC. IS PROHIBITED.

TITLE:

INSULATED DUAL ENTRY  
350 CONNECTOR

NAME DATE  
DRAWN BY L. HILL 8-6-09

DWG. NO.

IPLD350-SERIES

MATERIAL: N/A

SCALE: 1:2

SHEET: 1 OF 1

NOTES:

- CONNECTOR MANUFACTURED FROM 6061-T6 ALUMINUM ALLOY.
- UL LISTED PER UL486A/B SPECIFICATIONS FOR 600V.
- DUAL RATED FOR 90°C COPPER AND/OR ALUMINUM CONDUCTOR.
- COLD TEMPERATURE RATED TO -45°C.
- HIGH DIELECTRIC STRENGTH INSULATION IS ABRASION, CHEMICAL AND UV RESISTANT.