



ELLIOTT ELECTRIC SUPPLY

We Deliver...Lower Cost, Quality Products, & Personal Service

3804 South Street
75964-7263, TX Nacogdoches
Phone: 936-569-7941
Fax: 936-560-4685



IPLD3506 350MCM-#6 6 Pole Polaris Connector Block *Nsi Industries*

Catalog Number	IPLD3506
Manufacturer	Nsi Industries
Description	
Weight per unit	1.1 (lbs/each)
Product Category	Large Terminals & Connectors

Features

Material	Plastisol
Number of Conductors	6 in
Poles	1 IN
Voltage Rating	600 VAC
Wire Size	350 MCM-6 AWG
Wire Type	Class B & C

Material, Color, and Finish

Color	BLACK
Finish	Plastisol

Dimensions and Weight

Size	L=6.670 - W=2.410 - H=2.610 IN
------	--------------------------------

Descriptions

Description	350MCM-#6 6 POLE POLARIS CONNECTOR BLOCK
Product Type	Polaris Ins Multi-Tap 350 6 Port Dse
Special Features	(6) 350 MCM-6 AWG - Dual Rated

Manufacturer Information

Brand	NSi
GTIN	00662381924049
Manufacturers Part Number	IPLD350-6
sub brand	Polaris Black
UPC	662381924049

Taxonomies, Classifications, and Categories

Category Description	SPLIT BOLTS
Type	Double Sided Entry

Packaging

Carton	3
Weight Per each	1.1399



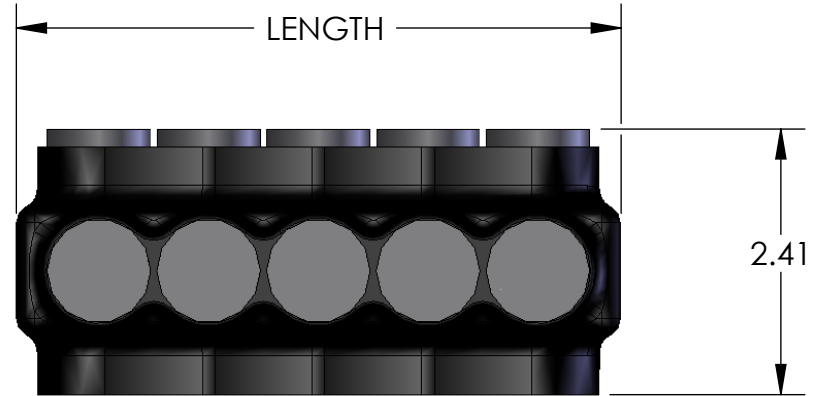
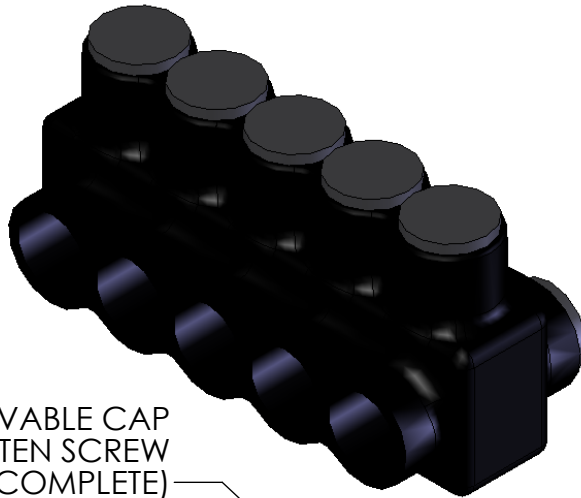
ELLIOTT ELECTRIC SUPPLY

We Deliver...Lower Cost, Quality Products, & Personal Service

3804 South Street
75964-7263, TX Nacogdoches
Phone: 936-569-7941
Fax: 936-560-4685

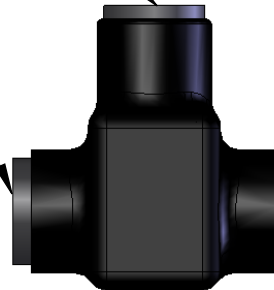
Uses, Certifications, and Standards

Application	Wire Termination
environmental conditions	90 WTT
standard	cULus
Temperature Rating	90 WTT



REMOVABLE CAP TO TIGHTEN SCREW (REPLACE WHEN COMPLETE)

REMOVABLE CAP FOR DUAL ENTRY (INSERT IN OTHER SIDE)



IPLD350-5 SHOWN

PART NUMBER	NO. OF PORTS	LENGTH
IPLD350-3	3	3.52
IPLD350-4	4	4.57
IPLD350-5	5	5.62
IPLD350-6	6	6.67
IPLD350-8	8	8.77

WIRE ENTRY POINT
WIRE RANGE: 350MCM - #6AWG
PRE-FILLED W/ OXIDE INHIBITOR

CONTACT NSI FOR SALES @ 800.321.5847

		POLARIS SALES . CO . INC	
<small>PROPRIETARY AND CONFIDENTIAL</small>		<small>11625 PROSPEROUS DRIVE ODESSA, FL 33556</small>	
<small>THE INFORMATION CONTAINED IN THIS DRAWING IS THE SOLE PROPERTY OF POLARIS SALES CO. INC. ANY REPRODUCTION IN PART OR AS A WHOLE WITHOUT THE WRITTEN PERMISSION OF POLARIS SALES CO. INC. IS PROHIBITED.</small>		TITLE: INSULATED DUAL ENTRY 350 CONNECTOR	
<small>DRAWN BY</small> L. HILL		<small>DATE</small> 8-6-09	
<small>MATERIAL:</small> N/A		<small>DWG. NO.</small> IPLD350-SERIES	
<small>SCALE:</small> 1:2		<small>SHEET:</small> 1 OF 1	

NOTES:

- CONNECTOR MANUFACTURED FROM 6061-T6 ALUMINUM ALLOY.
- UL LISTED PER UL486A/B SPECIFICATIONS FOR 600V.
- DUAL RATED FOR 90°C COPPER AND/OR ALUMINUM CONDUCTOR.
- COLD TEMPERATURE RATED TO -45°C.
- HIGH DIELECTRIC STRENGTH INSULATION IS ABRASION, CHEMICAL AND UV RESISTANT.