



ELLIOTT ELECTRIC SUPPLY

We Deliver...Lower Cost, Quality Products, & Personal Service

3804 South Street
75964-7263, TX Nacogdoches
Phone: 936-569-7941
Fax: 936-560-4685



IPLD3508 350MCM-#6 8 Pole Polaris Connector Block *Nsi Industries*

Catalog Number	IPLD3508
Manufacturer	Nsi Industries
Description	
Weight per unit	1.5 (lbs/each)
Product Category	Large Terminals & Connectors

Features

Material	Plastisol
Number of Conductors	8 in
Poles	1 IN
Voltage Rating	600 VAC
Wire Size	350 MCM-6 AWG
Wire Type	Class B & C

Material, Color, and Finish

Color	BLACK
Finish	Plastisol

Dimensions and Weight

Size	L=8.770 - W=2.410 - H=2.610 IN
------	--------------------------------

Descriptions

Description	350MCM-#6 8 POLE POLARIS CONNECTOR BLOCK
Product Type	Polaris Ins Multi-Tap 350 8 Port Dse
Special Features	(8) 350 MCM-6 AWG - Dual Rated

Manufacturer Information

Brand	NSi
GTIN	00662381924063
Manufacturers Part Number	IPLD350-8
sub brand	Polaris Black
UPC	662381924063

Taxonomies, Classifications, and Categories

Category Description	SPLIT BOLTS
Type	Double Sided Entry

Packaging

Carton	2
Weight Per each	1.5



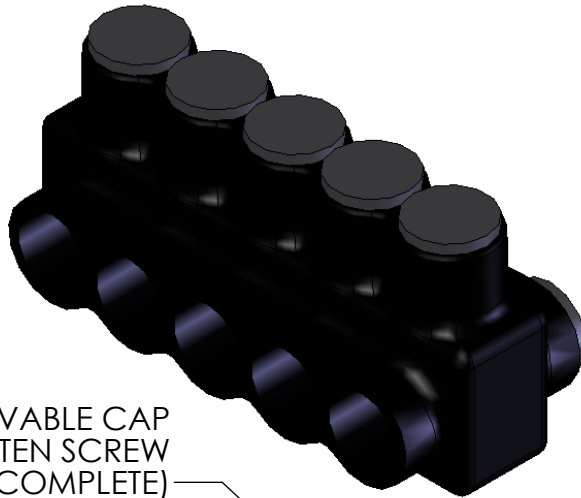
ELLIOTT ELECTRIC SUPPLY

We Deliver...Lower Cost, Quality Products, & Personal Service

3804 South Street
75964-7263, TX Nacogdoches
Phone: 936-569-7941
Fax: 936-560-4685

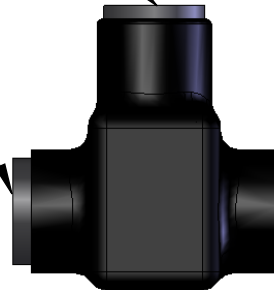
Uses, Certifications, and Standards

Application	Wire Termination
environmental conditions	90 WTT
standard	cULus
Temperature Rating	90 WTT



REMOVABLE CAP
TO TIGHTEN SCREW
(REPLACE WHEN COMPLETE)

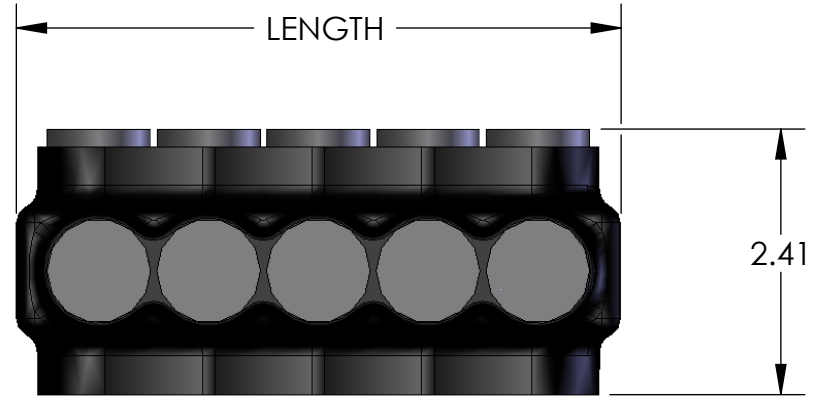
REMOVABLE CAP
FOR DUAL ENTRY
(INSERT IN OTHER SIDE)



WIRE ENTRY POINT
WIRE RANGE: 350MCM - #6AWG
PRE-FILLED W/ OXIDE INHIBITOR

IPLD350-5 SHOWN

PART NUMBER	NO. OF PORTS	LENGTH
IPLD350-3	3	3.52
IPLD350-4	4	4.57
IPLD350-5	5	5.62
IPLD350-6	6	6.67
IPLD350-8	8	8.77



CONTACT NSi FOR SALES @ 800.321.5847



POLARIS
SALES . CO . INC

PROPRIETARY AND CONFIDENTIAL

11625 PROSPEROUS DRIVE ODESSA, FL 33556

THE INFORMATION CONTAINED IN THIS DRAWING IS THE SOLE PROPERTY OF POLARIS SALES CO. INC. ANY REPRODUCTION IN PART OR AS A WHOLE WITHOUT THE WRITTEN PERMISSION OF POLARIS SALES CO. INC. IS PROHIBITED.

TITLE:

INSULATED DUAL ENTRY
350 CONNECTOR

NAME DATE
DRAWN BY L. HILL 8-6-09

DWG. NO.

IPLD350-SERIES

MATERIAL: N/A

SCALE: 1:2

SHEET: 1 OF 1

NOTES:

- CONNECTOR MANUFACTURED FROM 6061-T6 ALUMINUM ALLOY.
- UL LISTED PER UL486A/B SPECIFICATIONS FOR 600V.
- DUAL RATED FOR 90°C COPPER AND/OR ALUMINUM CONDUCTOR.
- COLD TEMPERATURE RATED TO -45°C.
- HIGH DIELECTRIC STRENGTH INSULATION IS ABRASION, CHEMICAL AND UV RESISTANT.