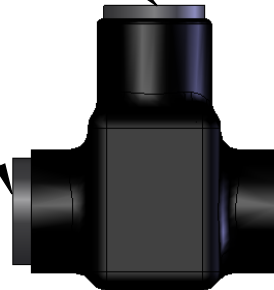


REMOVABLE CAP
TO TIGHTEN SCREW
(REPLACE WHEN COMPLETE)

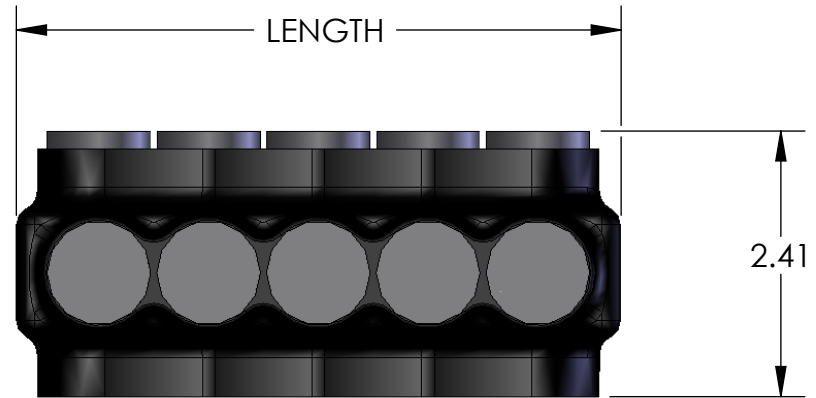
REMOVABLE CAP
FOR DUAL ENTRY
(INSERT IN OTHER SIDE)



WIRE ENTRY POINT
WIRE RANGE: 350MCM - #6AWG
PRE-FILLED W/ OXIDE INHIBITOR

IPLD350-5 SHOWN

PART NUMBER	NO. OF PORTS	LENGTH
IPLD350-3	3	3.52
IPLD350-4	4	4.57
IPLD350-5	5	5.62
IPLD350-6	6	6.67
IPLD350-8	8	8.77



CONTACT NSi FOR SALES @ 800.321.5847

		POLARIS SALES . CO . INC	
<small>PROPRIETARY AND CONFIDENTIAL</small>		<small>11625 PROSPEROUS DRIVE ODESSA, FL 33556</small>	
<small>THE INFORMATION CONTAINED IN THIS DRAWING IS THE SOLE PROPERTY OF POLARIS SALES CO. INC. ANY REPRODUCTION IN PART OR AS A WHOLE WITHOUT THE WRITTEN PERMISSION OF POLARIS SALES CO. INC. IS PROHIBITED.</small>		TITLE: INSULATED DUAL ENTRY 350 CONNECTOR	
<small>DRAWN BY</small> L. HILL		<small>DATE</small> 8-6-09	
<small>MATERIAL:</small> N/A		<small>DWG. NO.</small> IPLD350-SERIES	
		<small>SCALE:</small> 1:2	
		<small>SHEET:</small> 1 OF 1	

NOTES:

- CONNECTOR MANUFACTURED FROM 6061-T6 ALUMINUM ALLOY.
- UL LISTED PER UL486A/B SPECIFICATIONS FOR 600V.
- DUAL RATED FOR 90°C COPPER AND/OR ALUMINUM CONDUCTOR.
- COLD TEMPERATURE RATED TO -45°C.
- HIGH DIELECTRIC STRENGTH INSULATION IS ABRASION, CHEMICAL AND UV RESISTANT.