



# SignPRO

## SIGNPRO MAG ELE SIGN BAL (1-2) T12HO 2-16FT 120-277V

Philips Advance signPRO line...a brand synonymous with full-line, high-quality sign ballasts offered exclusively to the sign industry to support the market's broad range of sign applications, now adds: ...four new energy-efficient signPRO Electronic Fluorescent Sign Ballasts for T8/HO and T12/HO High Output (800mA) Lamps. Philips Advance signPRO line...a brand synonymous with full-line, high-quality sign ballasts offered exclusively to the sign industry to support the market's broad range of sign applications, now adds: ...four new energy-efficient signPRO Electronic Fluorescent Sign Ballasts for T8/HO and T12/HO High Output (800mA) Lamps.

### Product data

| General Information           |                        |
|-------------------------------|------------------------|
| Lamp Type                     | T12/HO                 |
| Number of Lamps               | 1-2 piece/unit         |
| Lamp Footage                  | 2 - 16 FT              |
| Ballast Type                  | Electronic Fluorescent |
| Base Model                    | ISB021612EI            |
| Suitable For Outdoor Use      | Yes                    |
| Automatic Restart             | Yes                    |
| Operating and Electrical      |                        |
| Input Voltage                 | 120 to 277 V           |
| Input Frequency               | 50 to 60 Hz            |
| Total Harmonic Distortion USA | 10 %                   |
| Ignition Method               | Instant Start          |
| Crestfactor (Nom)             | 1.7                    |
| Ignition Time (Nom)           | 0.1 s                  |
| Ballast Factor (Nom)          | 0.68                   |
| Power Factor (Nom)            | 0.98                   |

| Input Current (Nom)                      | 1.14 A         |
|--|----------------|
| Input Power (Nom)                        | 136-133 W      |
| Rated Lamp Power                         | 110 W          |
| Wiring                                   |                |
| Wire Striplength                         | 0.50/0.375 mm  |
| Lamp Connection                          | Parallel       |
| Wire Length by Color                     | See data sheet |
| Wire Gauge (Nom)                         | 18AWG mm       |
| Wire Type                                | Solid          |
| Remote Wiring Configuration Allowed      | No             |
| Tandem Wiring Configuration Allowed      | No             |
| Through Wiring Configuration Allowed     | Yes            |
| Max Ballast-Lamp Distance Remote Wiring  | No Remote      |
| Max Ballast-Lamp Distance Tandem Wiring  | No Tandem      |
| Max Ballast-Lamp Distance Through Wiring | Any = 20'      |

## Mechanical and Housing

|                    |                       |
|--------------------|-----------------------|
| Housing Material   | Metal                 |
| Housing            | BL1                   |
| Housing Dimensions | 9.64" x 1.69" x 1.13" |

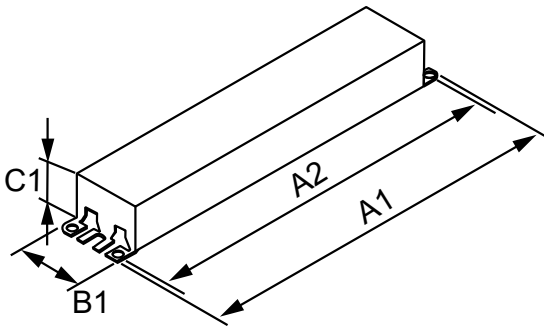
## Approval and Application

|                       |  |
|-----------------------|--|
| EMC Immunity Standard | FCC Non-Consumer                                     |
| Approval Marks        | CSA certificate UL certificate DOE RoHS<br>Compliant |
| Hum And Noise Level   | A  |
| UL Recognized         | No   |

## Product Data

|                                 |   |
|---------------------------------|---|
| Order product name              | SIGNPRO MAG ELE SIGN BAL (1-2) T12HO<br>2-16FT 120-277V |
| EAN/UPC - Product               | 781087135778  |
| Order code                      | 913701262201  |
| Numerator - Quantity Per Pack   | 1   |
| Numerator - Packs per outer box | 10  |
| Material Nr. (12NC)             | 913701262201  |
| Net Weight (Piece)              | 2.709 kg  |

## Dimensional drawing



ELE SIGN BAL (1-2) T12HO 2-16FT 120-277V

| Product   | A1      | A2   | B1      | C1      |
|---|---------|------|---------|---------|
| SIGNPRO MAG ELE SIGN BAL (1-2) T12HO 2-16FT<br>120-277V | 9.64 in | 9 in | 1.69 in | 1.13 in |

