



# ELLIOTT ELECTRIC SUPPLY

We Deliver...Lower Cost, Quality Products, & Personal Service

2310 N. Stallings Dr.  
75964-0000, TX Nacogdoches  
Phone: 936-569-7941  
Fax: 936-560-4685



## **ISB084846EI Ele SGN (4-6) T12HO 8-48FT 120-277V** *Advance By Signify*

Catalog Number	ISB084846EI
Manufacturer	Advance By Signify
Description	Electronic Sign Ballast, T12/Ho Lamp, 4 to 6 Lamps, 8 - 48 Footages, 110 W, 120 to 277 V, 10 % Total Harmonic Distortion, 0.60 Ballast Factor, 14.31 In Length, 3.19 In Width, 2.63 In Height, 6.337 KG/Ea
Weight per unit	14.0 (lbs/each)
Product Category	Sign Ballasts

### **Features**

output	FIXED
start type	Instant Start

### **Descriptions**

Description	ELE SGN (4-6) T12HO 8-48FT 120-277V
-------------	-------------------------------------

### **Manufacturer Information**

Brand	Signify Electronics
GTIN	00781087135792
UPC	781087135792

### **Taxonomies, Classifications, and Categories**

Category Description	SIGN BALLAST
----------------------	--------------

### **Packaging**

Carton	1
Weight Per each	14

### **Uses, Certifications, and Standards**

Application	SIGN
Frequency Rating	50/60 HZ



# SignPRO

## SIGNPRO MAG ELE SIGN BAL (4-6) T12HO 8-48FT 120-277V

Philips Advance signPRO line...a brand synonymous with full-line, high-quality sign ballasts offered exclusively to the sign industry to support the market's broad range of sign applications, now adds: ...four new energy-efficient signPRO Electronic Fluorescent Sign Ballasts for T8/HO and T12/HO High Output (800mA) Lamps. Philips Advance signPRO line...a brand synonymous with full-line, high-quality sign ballasts offered exclusively to the sign industry to support the market's broad range of sign applications, now adds: ...four new energy-efficient signPRO Electronic Fluorescent Sign Ballasts for T8/HO and T12/HO High Output (800mA) Lamps.

### Product data

General Information		Input Current (Operating) (Nom)	
Lamp Type	T12/HO		3.40 A
Number of Lamps	4-6 piece/unit	Input Power (Nom)	390-384 W
Lamp Footage	8 - 48 FT	Rated Lamp Watts	110 W
Ballast Type	Electronic Fluorescent	<b>Wiring</b>	
Base Model	ISB084846E1	Wire Striplength	0.50/0.375 mm
Suitable For Outdoor Use	Yes	Lamp Connection	Parallel
Automatic Restart	Yes	Wire Length by Color	See data sheet
<b>Operating and Electrical</b>		Wire Gauge (Nom)	18AWG mm
Input Voltage	120 to 277 V	Wire Type	Solid
Input Frequency	50 to 60 Hz	Remote Wiring Configuration Allowed	No
Max THD	10 %	Tandem Wiring Configuration Allowed	No
Starting Method	Instant Start	Through Wiring Configuration Allowed	Yes
Lamp Current Crest Factor (Nom)	1.7	Max Ballast-Lamp Distance Remote Wiring	No Remote
Ignition Time (Nom)	0.1 s	Max Ballast-Lamp Distance Tandem Wiring	No Tandem
Ballast Factor (Nom)	0.60	Max Ballast-Lamp Distance Through Wiring	Any = 20'
Power Factor (Nom)	0.98		

## Mechanical and Housing

Housing Material	Metal
Housing	BL2
Housing Dimensions	14.31" x 3.19" x 2.63"

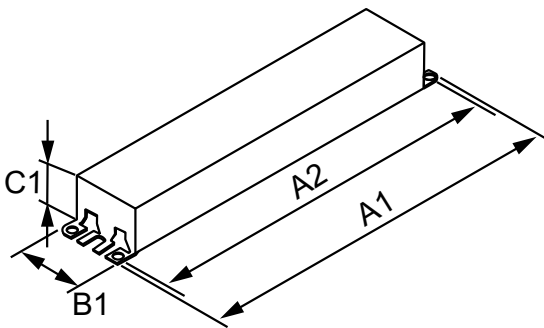
## Approval and Application

EMC Immunity Standard	FCC Non-Consumer
Approbation Marks	CSA certificate UL certificate RoHS Compliant
Sound Rating	A
UL Recognized	No

## Product Data

Order product name	SIGNPRO MAG ISB084846EI
EAN/UPC - Product	781087135792
Order code	ISB084846EI
Numerator - Quantity Per Pack	1
Numerator - Packs per outer box	1
Material Nr. (12NC)	913701262401
Net Weight (Piece)	6.337 kg

## Dimensional drawing



ELE SIGN BAL (4-6) T12HO 8-48FT 120-277V

Product	A1	A2	B1	C1
SIGNPRO MAG ISB084846EI	14.31 in	13.75 in	3.19 in	2.63 in

