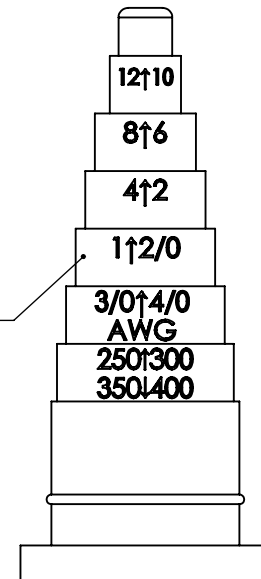
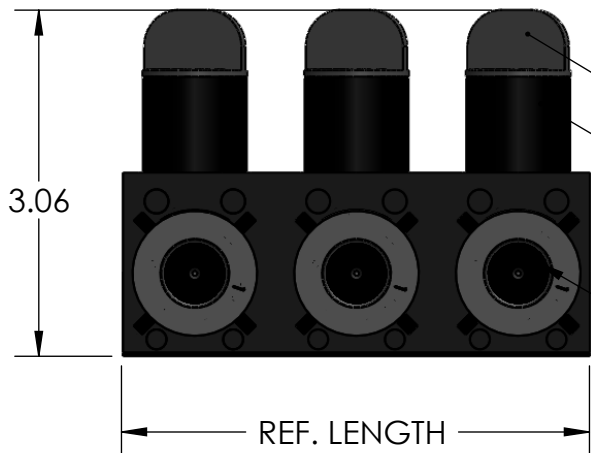
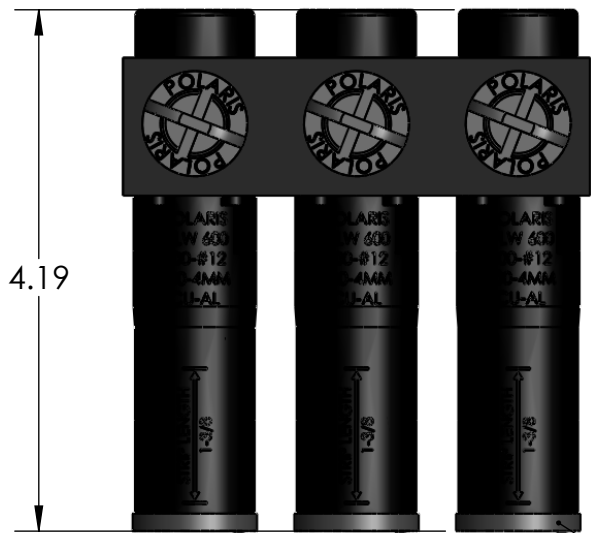
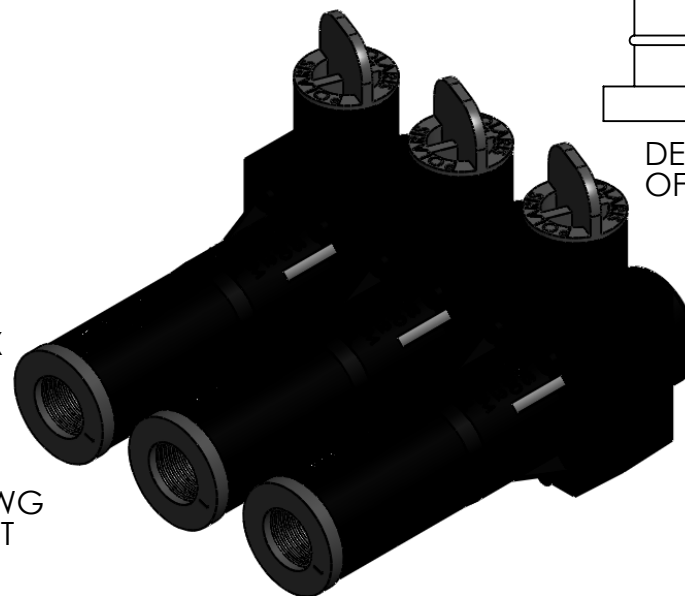


PART NUMBER	# OF PORTS	LENGTH
ISPB350-3	3	3.61
ISPB350-4	4	4.80
ISPB350-6	6	7.18



CUT FOR APPROPRIATE WIRE SIZE

DETAIL VIEW OF ROCKET



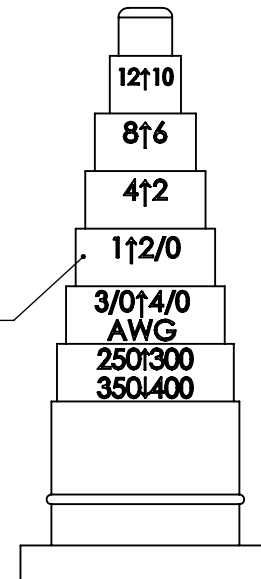
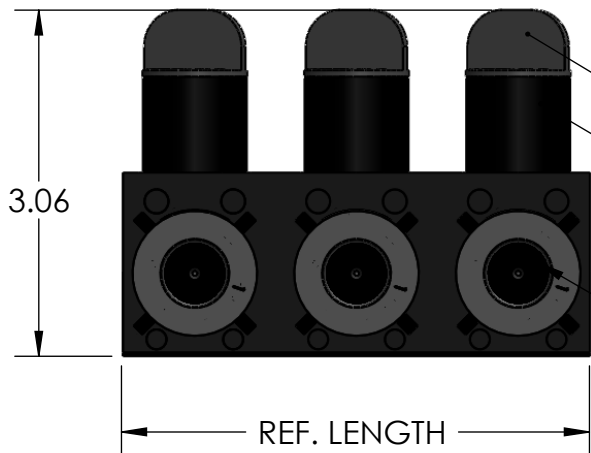
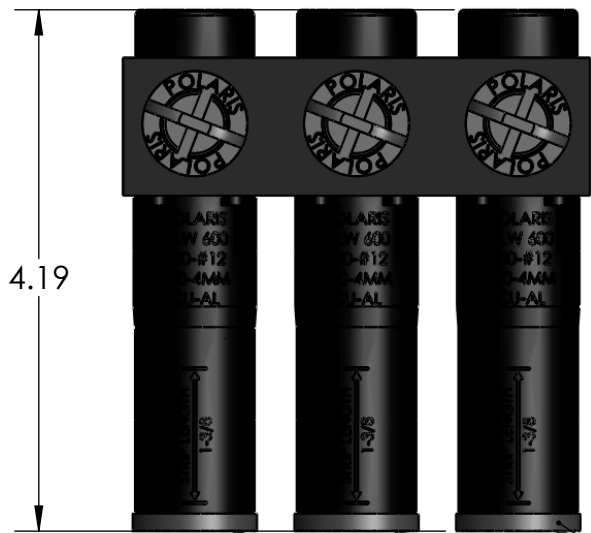
CONTACT NSI FOR SALES @ 800.321.5847

		POLARIS SALES CO. INC	
PROPRIETARY AND CONFIDENTIAL		11625 PROSPEROUS DRIVE ODESSA, FL 33556	
THE INFORMATION CONTAINED IN THIS DRAWING IS THE SOLE PROPERTY OF POLARIS SALES CO. INC. ANY REPRODUCTION IN PART OR AS A WHOLE WITHOUT THE WRITTEN PERMISSION OF POLARIS SALES CO. INC. IS PROHIBITED.		TITLE: 350 BLACK SUBMERSIBLE PEDESTAL CONNECTOR	
DRAWN BY S.PARRY		DATE 2/1/2013	
MATERIAL: 6061-T6511 ALUMINUM		SCALE: 1:2	
DWG. NO. ISPB350-SERIES		SHEET: 1 OF 1	

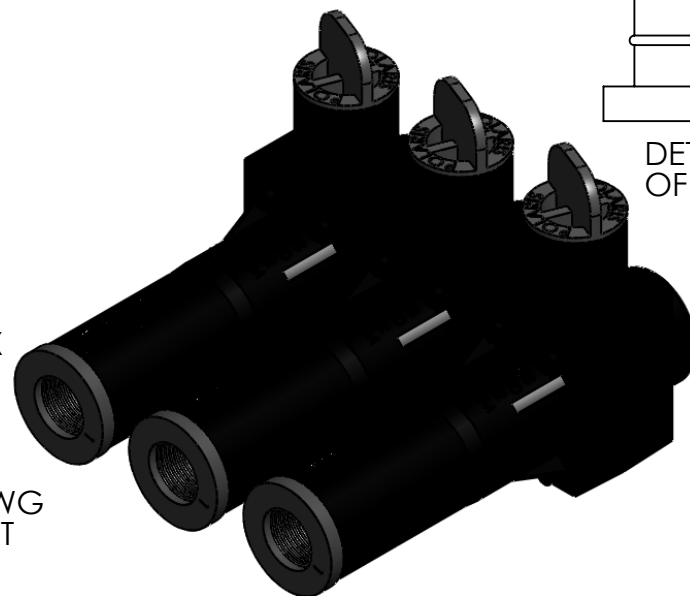
NOTES:

1. CONNECTOR PRE-FILLED W/ OXIDE INHIBITOR.
2. CONNECTOR MEETS OR EXCEEDS ANSI C119.4 SPECIFICATIONS.

PART NUMBER	# OF PORTS	LENGTH
ISPB350-3	3	3.61
ISPB350-4	4	4.80
ISPB350-6	6	7.18



DETAIL VIEW OF ROCKET



CONTACT NSI FOR SALES @ 800.321.5847



POLARIS
SALES CO. INC

PROPRIETARY AND CONFIDENTIAL

11625 PROSPEROUS DRIVE ODESSA, FL 33556

THE INFORMATION CONTAINED IN THIS DRAWING IS THE SOLE PROPERTY OF POLARIS SALES CO. INC. ANY REPRODUCTION IN PART OR AS A WHOLE WITHOUT THE WRITTEN PERMISSION OF POLARIS SALES CO. INC. IS PROHIBITED.

TITLE:
**350 BLACK
SUBMERSIBLE
PEDESTAL CONNECTOR**

- NOTES:
- CONNECTOR PRE-FILLED W/ OXIDE INHIBITOR.
 - CONNECTOR MEETS OR EXCEEDS ANSI C119.4 SPECIFICATIONS.

NAME	DATE
DRAWN BY S.PARRY	2/1/2013

DWG. NO.
ISPB350-SERIES

MATERIAL: 6061-T6511 ALUMINUM

SCALE: 1:2

SHEET: 1 OF 1