

4

3

2

1

REVISIONS

ZONE	REV.	DESCRIPTION	DATE	APPROVED
------	------	-------------	------	----------

Fig. 1

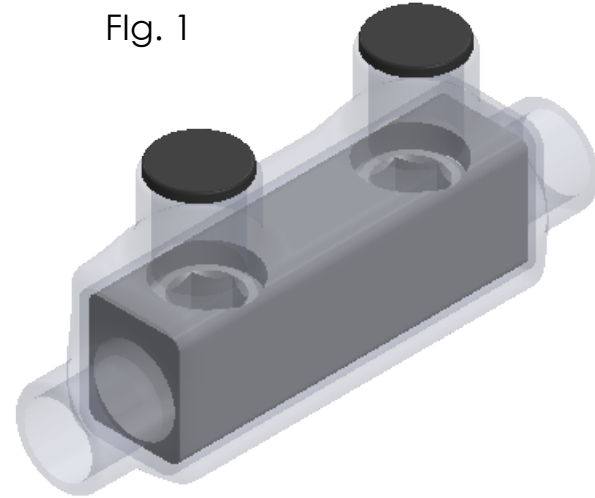
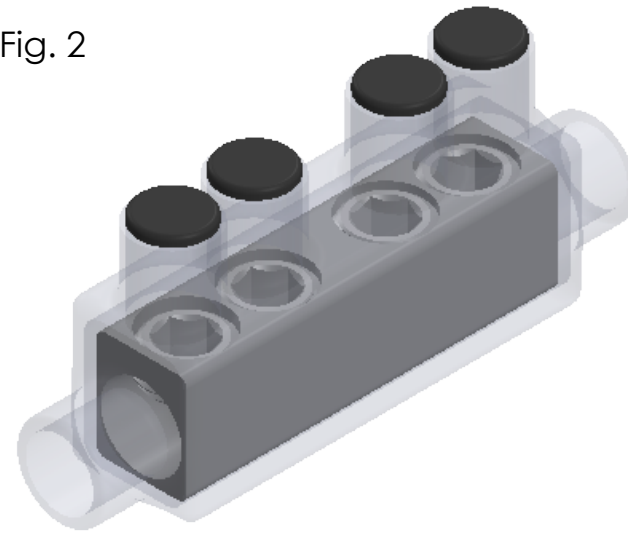
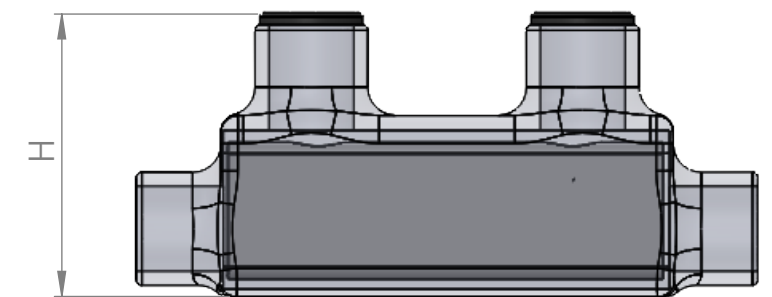
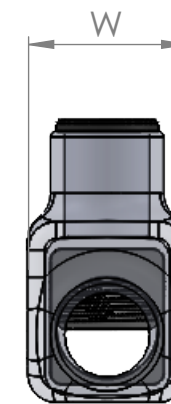
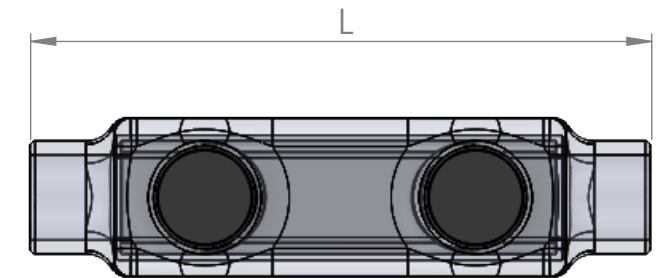


Fig. 2



CAT. NO.	FIG. NO.	NO. OF PORTS	WIRE RANGE	HEX WRENCH SIZE (IN.)		MAX. TORQUE VALUE (IN./LBS.)	LENGTH (L) (IN.)	WIDTH (W) (IN.)	HEIGHT (H) (IN.)	STD. CTN. QTY.
ISR-1/0C	1	2	1/0-14 AWG	(3/16)		550	3.250	0.900	1.480	4
ISR-250C	1	2	250 MCM-6 AWG	(5/16)		360	4.000	1.190	1.900	4
ISR-350C	1	2	350 MCM-6 AWG	(5/16)		400	4.470	1.320	2.200	2
ISR-500C	1	2	500 MCM-4 AWG	(5/16)		450	4.620	1.620	3.000	2
ISR-600C	1	2	600 MCM-6 AWG	(5/16)		550	5.830	1.570	3.050	2
ISRH-750C	2	2	750 MCM-1/0 AWG	(5/16)		550	7.250	1.750	3.250	2



PROPRIETARY AND CONFIDENTIAL		NAME	DATE	
<small>THE INFORMATION CONTAINED IN THIS DRAWING IS THE SOLE PROPERTY OF NSI Industries. ANY REPRODUCTION IN PART OR AS A WHOLE WITHOUT THE WRITTEN PERMISSION OF NSI Industries IS PROHIBITED.</small>	DRAWN	DR	11/18	
	CHECKED	GW	1/19	
	ENG APPR.			
	MFG APPR.			
	Q.A.			
INTERPRET GEOMETRIC TOLERANCING PER: +/- .001	COMMENTS: TO ORDER NSI PRODUCTS CALL UNITED STATES (704) 439-2420 FOR PRODUCT INFO: www.nsiindustries.com			
MATERIAL				
FINISH				
DIMENSIONS ARE IN INCHES				
TITLE: Pre-insulated Connectors ISR, ISRH Series: Product Family		SIZE B	DWG. NO. ISR and ISRH Product Family	REV A
SCALE: 1:2		SW 2019	SHEET 1 OF 1	

4

3

2

1