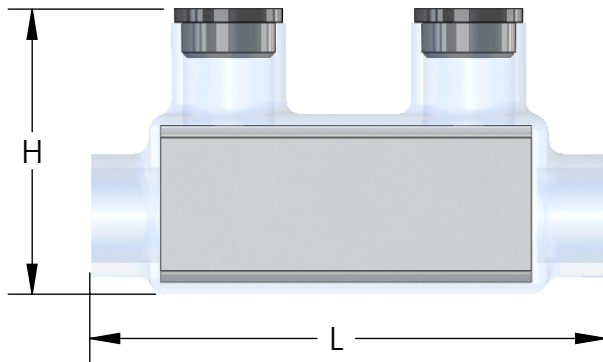


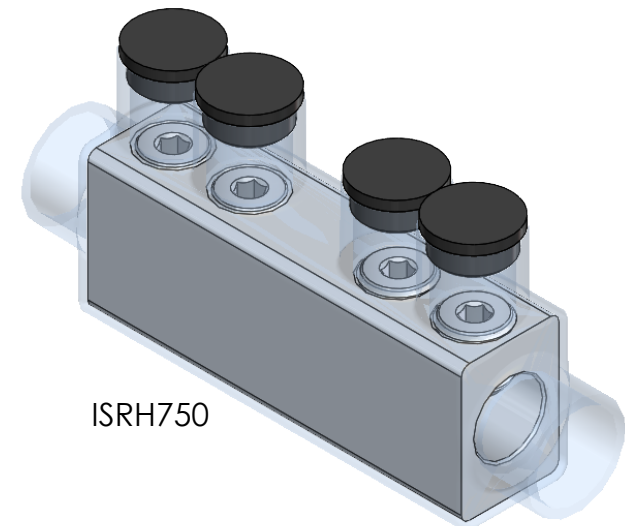
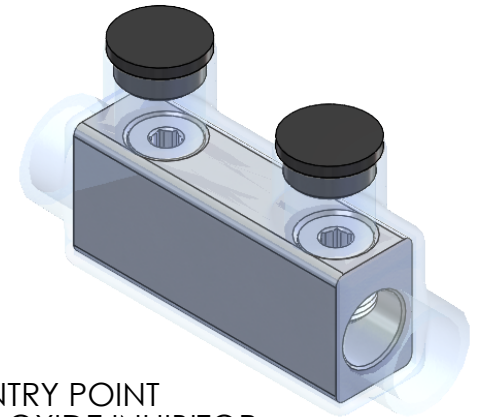


REMOVABLE CAP
TO TIGHTEN SCREW
(REPLACE WHEN COMPLETE)

INTERNAL HEX
PRESSURE SCREW



WIRE ENTRY POINT
PRE-FILLED W/ OXIDE INHIBITOR



ISRH750

CONTACT NSi FOR SALES @ 800.321.5847

PART #	WIRE RANGE	HEX SIZE	L	H	W
ISR1/0C	1/0-14	3/16	3.25	1.48	.90
ISR250C	250-6	5/16	4.00	1.90	1.19
ISR350C	350-6	5/16	4.47	2.20	1.32
ISR500C	500-4	5/16	4.62	3.00	1.62
ISR600C	600-6	5/16	5.83	3.30	1.75
ISRH750C	750-1/0	5/16	7.25	3.50	1.75

NOTES:

- CONNECTOR MANUFACTURED FROM 6061-T6 ALUMINUM ALLOY.
- UL LISTED PER UL486A/B SPECIFICATIONS FOR 600V.
- DUAL RATED FOR 90°C COPPER AND/OR ALUMINUM CONDUCTOR.
- COLD TEMPERATURE RATED TO -45°C.
- HIGH DIELECTRIC STRENGTH INSULATION IS ABRASION AND CHEMICAL RESISTANT.

		POLARIS SALES . CO . INC					
PROPRIETARY AND CONFIDENTIAL		11625 PROSPEROUS DRIVE ODESSA, FL 33556					
THE INFORMATION CONTAINED IN THIS DRAWING IS THE SOLE PROPERTY OF POLARIS SALES CO. INC. ANY REPRODUCTION IN PART OR AS A WHOLE WITHOUT THE WRITTEN PERMISSION OF POLARIS SALES CO. INC. IS PROHIBITED.		TITLE: INSULATED SPLICE CONNECTOR SERIES					
<table border="1"> <tr> <th>NAME</th> <th>DATE</th> </tr> <tr> <td>T. MITCHELL</td> <td>12/2021</td> </tr> </table>		NAME	DATE	T. MITCHELL	12/2021	DWG. NO. ISRC SERIES	
NAME	DATE						
T. MITCHELL	12/2021						
MATERIAL: N/A		SCALE: N/A					
		SHEET: 1 OF 1					