



Litestak® Homeland Security Status Indicator

Model LSHLS

NOTIFY HOMELAND SECURITY STATUS CHANGES

- Available in 24VDC and 120VAC
- Five lens colors
- Surface mount and integrated 3/4 - inch pipe mount
- Available with LED or Incandescent Lamps
- Indoor use only
- Type 1 enclosure
- Made in the USA
- UL and cUL Listed and CSA Certified

Federal Signal, the world's largest prime manufacturer of audible and visual signaling for industry has introduced a Homeland Security Advisory Status Indicator. The LiteStak® is an effective tool for communicating the Threat Conditions as outlined in the Homeland Security Presidential Directive; Low (Green), Guarded (Blue), Elevated (Yellow), High (Orange) and Severe (Red). The LiteStak is suitable for use in industrial, commercial and municipal environments.

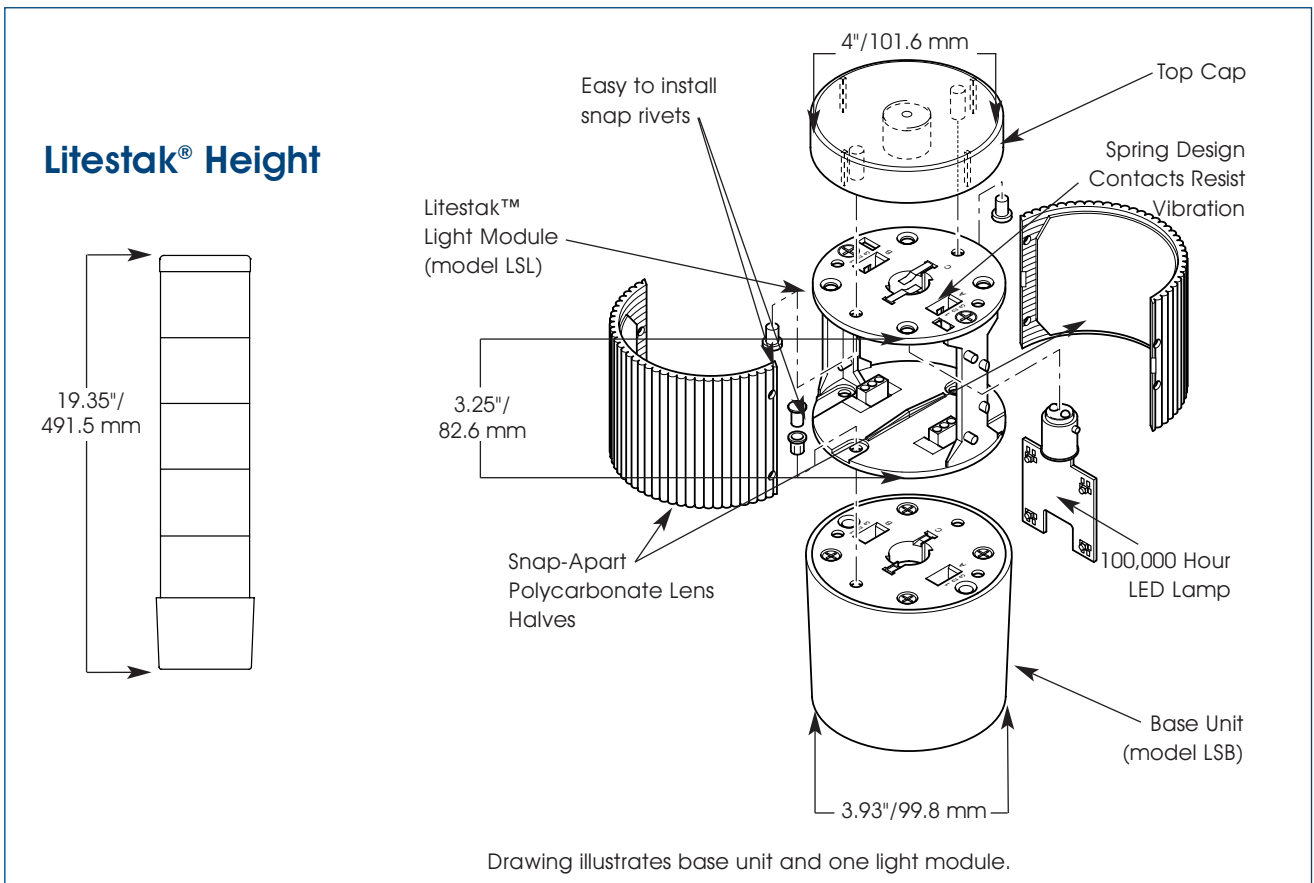
Each light module produces 360 degrees of light dispersion. Optical cross-hatching ensures a lens-filling distribution of light that is free of "hot spots". Each module of the LiteStak can be set up for either steady burning or flashing operation (with relays, flashers or PLCs). The lens of each module snaps on for quick and easy lamp maintenance.

Lamps choices include a rugged 25-watt incandescent bulb or a lifetime guaranteed 100,000 hour LED lamp. The LiteStak can be installed easily in a surface mount or a 3/4" NPT pipe mount configuration. The choice of operating voltages includes 24VDC and 120VAC for incandescent models and 24VDC and 120VAC for LED models.

Model	Voltage	Operating Current	Mount
LSHLS	24VDC	760 mA	Pipe/Surface
LSHLS	120VAC	230 mA	Pipe/Surface
LSHLS-LED	24VDC	80 mA	Pipe/Surface
LSHLS-LED	120VAC	40 mA	Pipe/Surface



HOMELAND SECURITY STATUS INDICATOR (LSHLS)



SPECIFICATIONS

Lamp Life, Incandescent*:	7,000 Hours	7,000 Hours
Lamp Life, L.E.D*:	100,000 Hours	100,000 Hours
Operating Temperature:	32°F to 120°F	0°C to 49°C
Net Weight:	3.0 lbs.	1.4 kg
Shipping Weight:	4.8 lbs.	2.2 kg
Height:	19.35"	491.5 mm
Diameter:	3.93"	99.8 mm

* Optimal hours under ideal conditions.

HOW TO ORDER

- Specify model, voltage and lamp style (incandescent or LED)
- Please refer to Model Number Index LSL/LSB beginning on page 372

REPLACEMENT PARTS

<u>Description</u>	<u>Part Number</u>	<u>Description</u>	<u>Part Number</u>
Lens Kit, Amber	K8447014A-02	Incandescent Lamp, 24VDC	K8107210A
Lens Kit, Blue	K8447014A-04	Incandescent Lamp, 120VAC	K8107194A
Lens Kit, Green	K8447014A-01	LED Lamp, Amber	LED-024ASB
Lens Kit, Orange	K8447014A-08	LED Lamp, Blue	LED-024BSB
Lens Kit, Red	K8447014A-03	LED Lamp, Green	LED-024GSB
Snap Rivets, 25 pieces	K7099A112A-01	LED Lamp, Orange	LED-024ASB
Cap Kit-Snap Rivets included	K8447009E	LED Lamp, Red	LED-024RSB