

LED AREA LIGHT MOUNTING KITS

DESCRIPTION

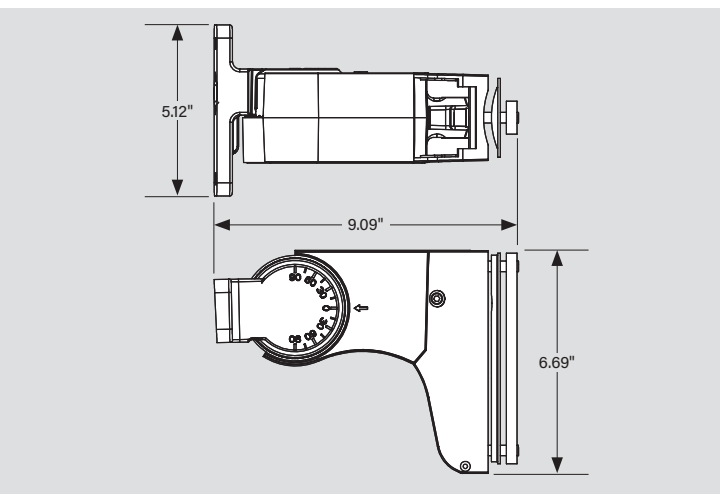
LED Area Light Mounting Kits for Black and Silver Finishes



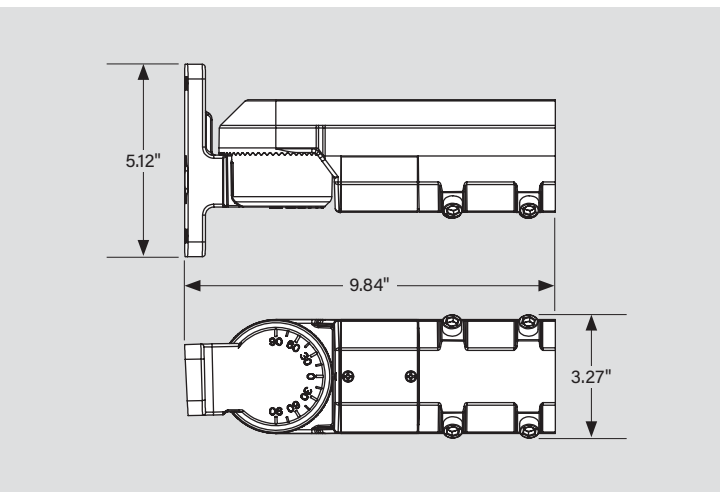
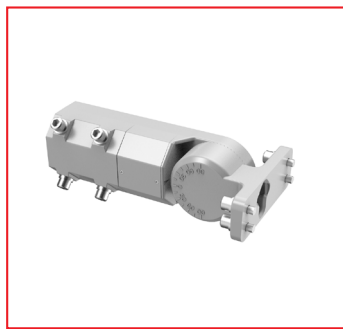
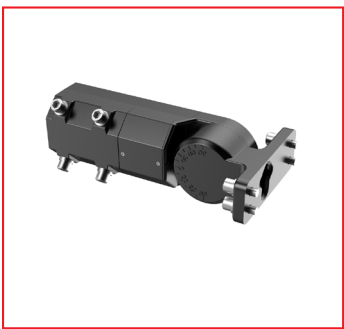
5 YEAR
WARRANTY

SPECIFICATIONS

Catalog Number	Description
KT-ALED-PMA-1-KIT-B	Adjustable Pole Mounting Kit; Suitable for Round or Square Pole, Black
KT-ALED-PMA-1-KIT-S	Adjustable Pole Mounting Kit; Suitable for Round or Square Pole, Silver

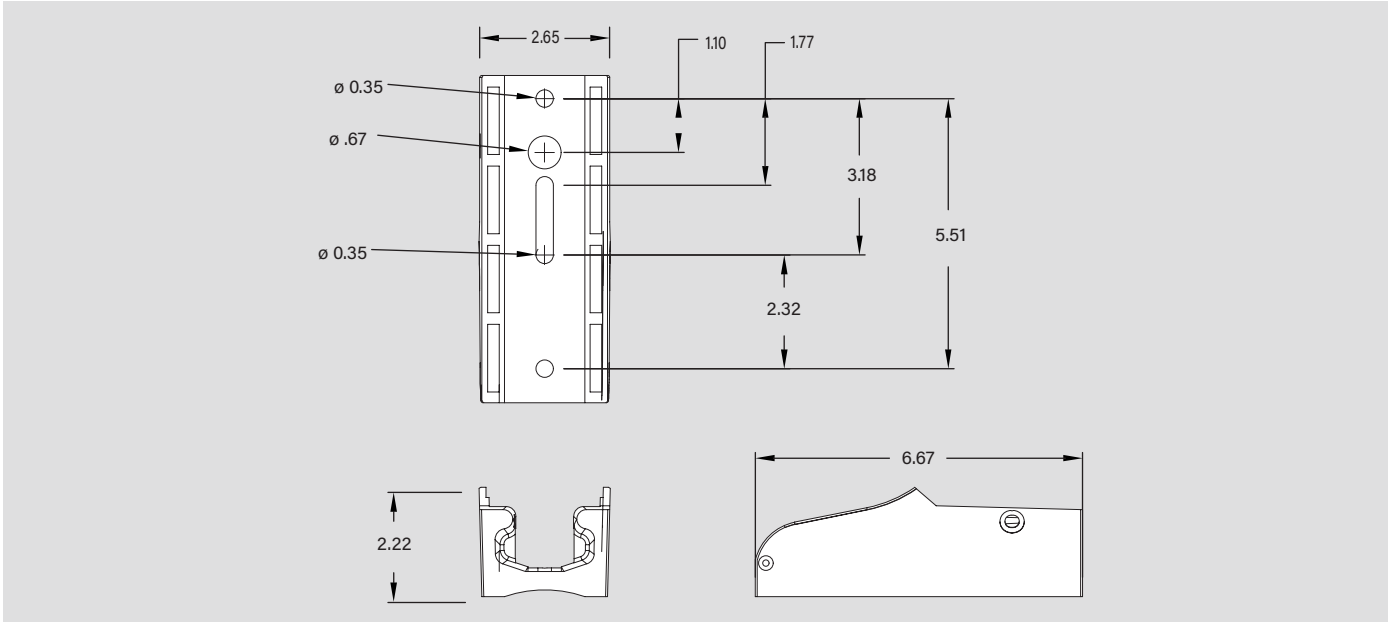


Catalog Number	Description
KT-ALED-SF-1-KIT-B	Slip-Fitter Mounting Kit; Fits 2 3/8" Tenon, Black
KT-ALED-SF-1-KIT-S	Slip-Fitter Mounting Kit; Fits 2 3/8" Tenon, Silver



LED AREA LIGHT MOUNTING KITS

MOUNTING BOLT PATTERN



ORDERING INFORMATION

ORDER CODE	PACK QTY.	UPC	Easy Code
KT-ALED-PMA-1-KIT-B	1	843654157672	BIM-83
KT-ALED-PMA-1-KIT-S	1	843654157689	ZXM-10
KT-ALED-SF-1-KIT-B	1	843654157696	NDX-25
KT-ALED-SF-1-KIT-S	1	843654157702	ZLW-27

CATALOG NUMBER BREAKDOWN

KT-ALED-XX-1-KIT-X

1	2	3	4	5	6	7
1 Keystone Technologies	2 Fixture Type	3 LED Technology	4 Mounting Type	5 Style	6 Kit	7 Housing Color
	A Area Light		PMA Adjustable Pole-Mount SF Slip-Fitter Mount	1 Series 1		S Silver B Black
2 Fixture Type		3 LED Technology		5 Style	6 Kit	
4 Mounting Type		5 Style		7 Housing Color		
7 Housing Color						